



Illustrated Parts Manual

Models
E300A
E300AJ
E300AJP
PRIOR TO
S/N 0300138358

P/N
3120773

November 4, 2013

ANSI



An Oshkosh Corporation Company

REVISION LOG

May 10, 1999 - Original Issue Of Manual (Edited to 0010559 Revision 3)
June 1, 1999 - Revised Manual (Edited to 0010559 Revision 5)
August 1, 1999 - Removed Platform Rotator Cylinder Components from Manual. All Production Machines use Hydraulic Platform Rotator. Added E300AJP Components. (Edited to 0010559 Revision 6)
September 15, 1999 - Revised Manual (Edited to 0010559 Revision 7)
November 1, 1999 - Updated Page 2-23
March 15, 2000 - Revised Manual (Edited to 0010559 Revision 9)
March 1, 2001 - Revised Manual (Edited to 0010599 Revision 20)
August 31, 2001 - Revised Manual (Edited to 0010559 Revision 22)
June 30, 2002 - Revised Manual (Edited to 0010559 Revision 26)
June 15, 2003 - Revised Manual (Edited to 0010559 Revision 37)
September 23, 2003 - Revised Manual (Edited to 0010559 Revision 39)
September 23, 2004 - Revised Manual (Edited to 0010559 Revision 41)
June 8, 2006 - Revised Manual (Edited to 0010559 Revision 44)
August 31, 2006 - Revised Manual (Edited to 0010559 Revision 46)
January 24, 2007 - Revised Manual (Edited to 0010559 Revision 48)
August 14, 2007 - Revised Manual (Edited to 0010559 Revision 54)
February 10, 2008 - Revised Manual (Edited to 0010559 Revision 55)
August 31, 2008 - Revised Manual (Edited to 0010559 Revision 56)
March 31, 2009 - Revised Manual (Edited to 0010559 Revision 56)
October 15, 2009 - Revised Manual (Edited to 0010559 Revision 57)
October 25, 2010 - Revised Manual
March 16, 2011 - Revised Manual
June 10, 2011 - Revised Manual
November 29, 2011 - Revised Manual
March 20, 2012 - Revised Manual
July 10, 2012 - Revised Manual
October 10, 2012 - Revised Manual
February 12, 2013 - Revised Manual
May 2, 2013 - Revised Manual
August 6, 2013 - Revised Manual
November 4, 2013 - Revised Manual

REVISION LOG

TABLE OF CONTENTS

FIGURE NO.	TITLE	PAGE NO.
SECTION 1 - FRAME1-1		
1-1	STEER INSTALLATION	1-2
1-2	TIRE AND WHEEL DRIVE INSTALLATION	1-4
1-3	DRIVE HUB ASSEMBLY (PRIOR TO SN 0300116217)	1-8
1-4	DRIVE HUB ASSEMBLY (SN 0300116217 TO SN 0300138358)	1-12
1-5	DRIVE MOTOR ASSEMBLY	1-16
1-6	ELECTRICAL COMPONENTS INSTALLATION	1-18
1-7	ELECTRICAL COMPONENTS INSTALLATION (U/L MACHINES ONLY) (SN 0300035281 TO SN 0300138358)	1-20
1-8	BATTERY BOX INSTALLATIONS	1-22
1-9	FRAME COVERS INSTALLATION	1-24
1-10	INVERTER INSTALLATION (OPTIONAL ON E300AJ & E300AJP)	1-26
SECTION 2 - TURNTABLE2-1		
2-1	VALVES AND HORN INSTALLATIONS	2-2
2-2	MAIN CONTROL VALVE ASSEMBLY	2-6
2-3	STEER/BRAKE VALVE ASSEMBLY	2-10
2-4	TURNTABLE AND SWING DRIVE INSTALLATION	2-12
2-5	SWING BEARING ASSEMBLY	2-14
2-6	SWING MOTOR ASSEMBLY (WHITE ROLLER STATOR)	2-16
2-7	SWING MOTOR ASSEMBLY (PARKER)	2-18
2-8	PUMP, MOTOR AND TANK INSTALLATION	2-20
2-9	ELECTRICAL COMPONENTS INSTALLATION	2-22
2-10	GROUND CONTROL BOX ASSEMBLY	2-26
2-11	BATTERY CHARGER ASSEMBLY	2-30
2-12	HOODS INSTALLATIONS	2-34
SECTION 3 - BOOM3-1		
3-1	BOOM INSTALLATION - E300A	3-2
3-2	BOOM INSTALLATION - E300AJ	3-6
3-3	BOOM INSTALLATION - E300AJP	3-8
3-4	TOWER BOOM ASSEMBLY	3-12
3-5	MAIN BOOM ASSEMBLY	3-14
3-6	JIB ASSEMBLIES (E300AJ & E300AJP)	3-18
3-7	PLATFORM ROTATOR ASSEMBLIES	3-22
3-8	JIB SWING ROTATOR ASSEMBLY (E300AJP ONLY) (PRIOR TO SN 0300064982) ..	3-26
3-9	JIB SWING ROTATOR ASSEMBLY (E300AJP ONLY) (SN 0300064982 TO SN 0300138358)	3-28
3-10	CABLES, CLAMPS AND LIMIT SWITCHES INSTALLATION	3-30
SECTION 4 - PLATFORM4-1		
4-1	PLATFORM COMPONENTS INSTALLATION (FRONT ENTRY)	4-2
4-2	PLATFORM COMPONENTS INSTALLATION (SIDE ENTRY)	4-6
4-3	PLATFORM CONSOLE ASSEMBLY	4-10
4-4	CONTROLLER ASSEMBLY (SWING & LIFT)	4-14
4-5	CONTROLLER ASSEMBLY (DRIVE AND STEER)	4-18
4-6	PLATFORM PADDING INSTALLATION (FRONT ENTRY PLATFORM)	4-22
4-7	PLATFORM PADDING INSTALLATION (SIDE ENTRY PLATFORM)	4-24

TABLE OF CONTENTS

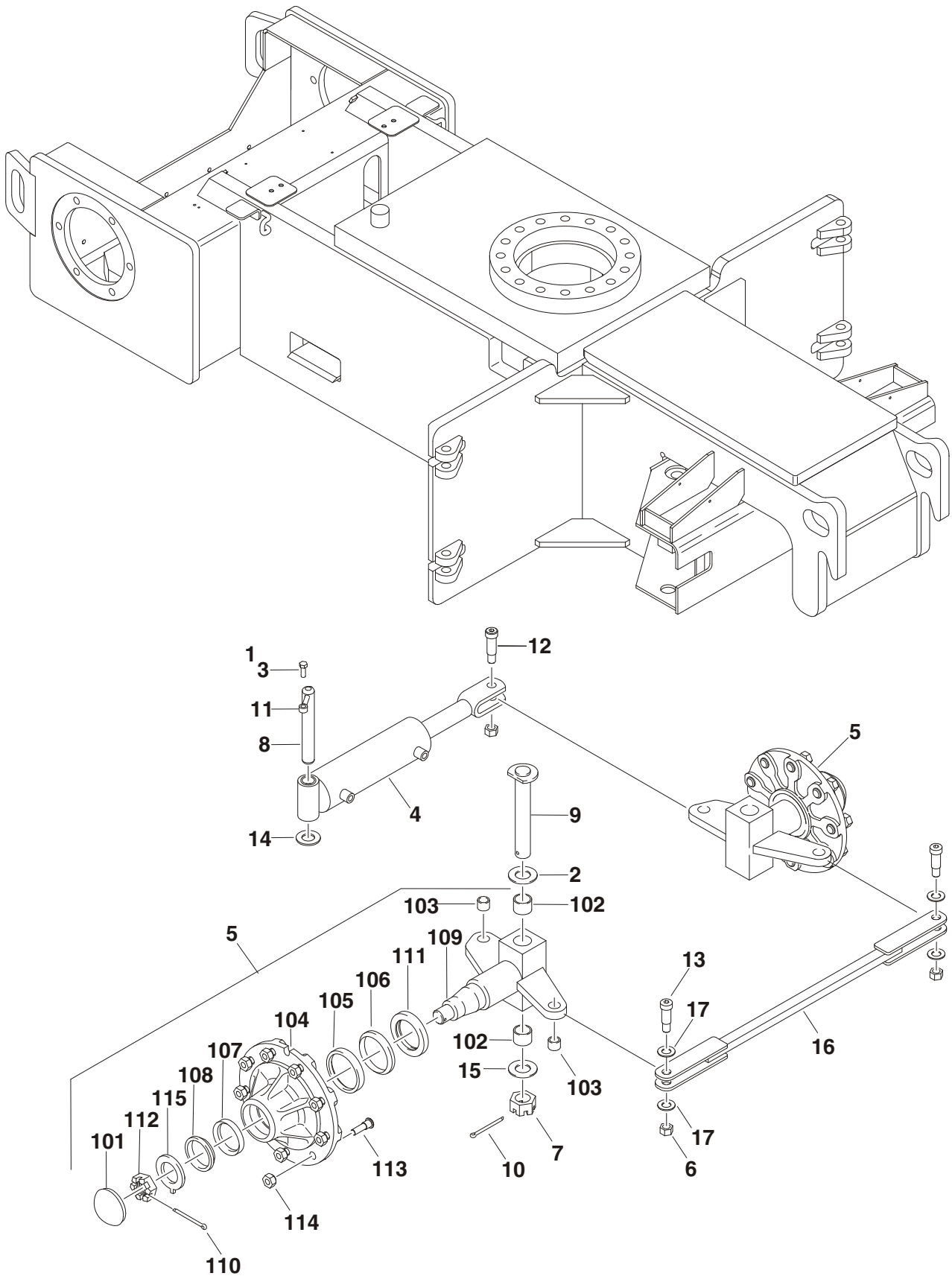
FIGURE NO.	TITLE	PAGE NO.
SECTION 5 - CYLINDER		5-1
5-1	JIB CYLINDER ASSEMBLY (ORIGINAL EQUIPMENT)	5-2
5-2	JIB CYLINDER ASSEMBLY (SERVICE REPLACEMENT)	5-4
5-3	LEVEL (PLATFORM SLAVE) CYLINDER ASSEMBLY (ORIGINAL EQUIPMENT)	5-6
5-4	LEVEL (PLATFORM SLAVE) CYLINDER ASSEMBLY (SERVICE REPLACEMENT)	5-8
5-5	LIFT CYLINDER ASSEMBLY - MAIN BOOM	5-10
5-6	LIFT CYLINDER ASSEMBLY - TOWER BOOM	5-12
5-7	MASTER CYLINDER ASSEMBLY (ORIGINAL EQUIPMENT)	5-14
5-8	MASTER CYLINDER ASSEMBLY (SERVICE REPLACEMENT)	5-16
5-9	STEER CYLINDER ASSEMBLY	5-18
5-10	TELESCOPE CYLINDER ASSEMBLY	5-20
5-11	CYLINDER BELLOWS INSTALLATIONS	5-24
SECTION 6 - HYDRAULIC		6-1
6-1	STANDARD HYDRAULIC DIAGRAM (E300A & E300AJ)	6-2
6-2	STANDARD HYDRAULIC DIAGRAM (E300AJP)	6-6
6-3	HYDRAULIC DIAGRAM LIST	6-10
SECTION 7 - ELECTRICAL		7-1
7-1	ELECTRICAL DIAGRAM LIST	7-2
7-2	HARNES COMPONENTS INSTALLATION	7-4
SECTION 8 - DECALS		8-1
8-1	DECAL INSTALLATION (ANSI SPEC)	8-2
8-2	DECAL INSTALLATION (COUNTRY SPEC)	8-6
SECTION 9 - RECOMMENDED SERVICE PARTS STOCK		9-1
SECTION 10 - SPECIAL OPTIONS		10-1
SECTION 11 - PART NUMBER INDEX		11-1

SECTION 1

FRAME

SECTION 1 FRAME

FIGURE 1-1. STEER INSTALLATION



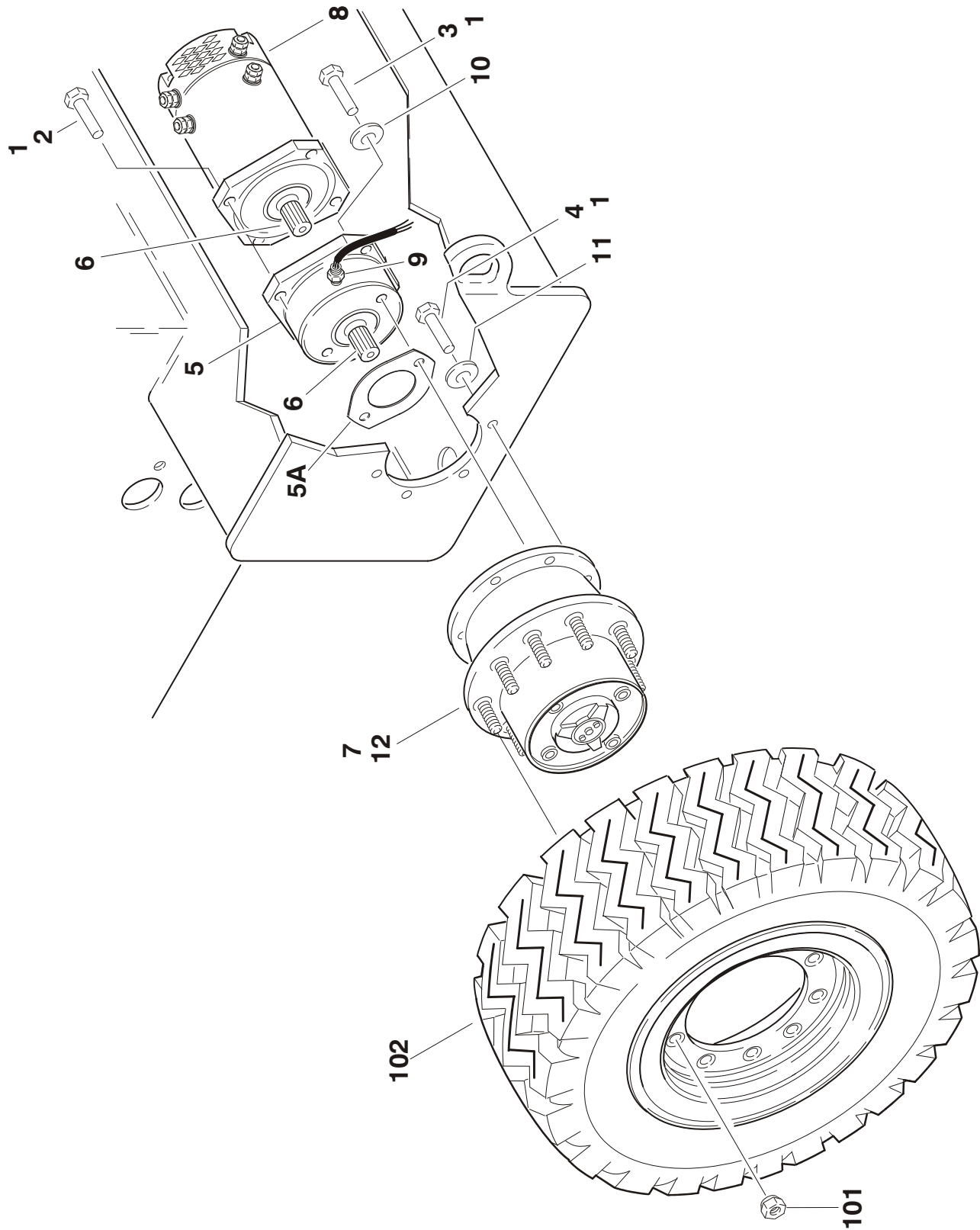
SECTION 1 FRAME

FIGURE 1-1. STEER INSTALLATION

ITEM #	PART NUMBER	QTY.	DESCRIPTION	REV.
	0258985	Ref	STEER INSTALLATION	F
1	0100011	AR	Compound, Locking	
2	0440162	2	Bearing, Thrust	
3	0641608	1	Bolt 3/8in-16NC x 1in	
4	1683732	1	Steer Cylinder Assembly (See Section 5 for Breakdown)	
5	2780234	2	Hub/Spindle Assembly (See Items 101-115 for Breakdown)	
6	3312005	3	Locknut 5/8in-11NC	
7	3313003	2	Nut, Castle 1-1/4in-11NF	
8	3422327	1	Pin	
9	3422774	2	Kingpin	
10	3450812	2	Pin, Cotter	
11	3841143	1	Keeper	
12	3900109	1	Bolt, Shoulder	
13	3900118	2	Bolt, Shoulder	
14	4712600	1	Flatwasher 1in Thin (Prior to SN 0300045452 Only)	
15	4713000	2	Flatwasher 1-1/4in Thin	
16	4845897	1	Tie-Rod	
17	4740156	4	Thrustwasher (SN 0300080297 to SN 0300138358)	
	2780234	Ref	HUB/SPINDLE ASSEMBLIES	D
101	7020033	2	Cap, Dust (1 per Assembly)	
102	0961951	4	Bushing, Garmax (2 per Assembly)	
103	0962140	4	Bearing, Garmax (2 per Assembly)	
104	7020035	2	Hub (1 per Assembly)	
105	7020036	2	Cup, Bearing (Inner) (1 per Assembly)	
106	7020037	2	Cone, Bearing (Inner) (1 per Assembly)	
107	7020038	2	Cup, Bearing (Outer) (1 per Assembly)	
108	7020039	2	Cone, Bearing (Outer) (1 per Assembly)	
109	7020148	2	Spindle (1 per Assembly)	
110	7020140	2	Pin, Cotter (1 per Assembly)	
111	7020040	2	Seal (1 per Assembly)	
112	7020054	2	Nut, Castle 1-1/4in-12 (1 per Assembly)	
113	7020041	18	Stud 5/8in-18NF (9 per Assembly)	
114	7020042	18	Lugnut 5/8in-18NF (9 per Assembly)	
115	7020055	2	Washer, Tanged 1-1/4in (1 per Assembly)	

SECTION 1 FRAME

FIGURE 1-2. TIRE AND WHEEL DRIVE INSTALLATION



SECTION 1 FRAME

FIGURE 1-2. TIRE AND WHEEL DRIVE INSTALLATION

ITEM #	PART NUMBER	QTY.	DESCRIPTION	REV.
		Ref	WHEEL DRIVE INSTALLATION OPTIONS:	
	0258984	Ref	Standard Spec (2WD) (Prior to SN 0300116217)	K
	0274282	Ref	Standard Spec (2WD) (SN 0300116217 to SN 0300138358)	C
	0258984	Ref	UL Spec (Prior to SN 0300035281)	K
	0259396	Ref	UL Spec (SN 0300035281 to SN 0300116217)	C
	0274283	Ref	UL Spec (SN 0300116217 to SN 0300138358)	C
1	0100019	AR	Compound, Locking	
2	0641609	8	Bolt 3/8in-16NC x 1-1/8in	
3	0641826	4	Bolt 1/2in-13NC x 3-1/2in	
4		12	Bolt Options:	
	0682010		Bolt 5/8in-11NC x 1-1/4in (Prior to SN 0300116217)	
	0682012		Bolt 5/8in-11NC x 1-1/2in (SN 0300116217 to SN 0300138358)	
5	0920113	2	Drive Brake Assembly	
	Use 0920113	2	Ring, Sensor (1 Per Assembly) (was p/n 7027275 which is no longer available. Replace Complete Brake.)	
	7007977	2	Ring, Bearing Retaining (Large) (1 per Assembly)	
	7011716	2	Ring, Bearing Retaining (Small) (1 per Assembly)	
	7007913	4	Bolt	
	7011757	2	Complete Repair Kit (Includes Case & Oil Seals, O-Rings, Back-Up Rings, Stator & Rotor Discs, Return Plate, Springs, Bearing & Brake to Hub Gasket) (1 per Assembly)	
	2900768	2	Bearing Kit (1 per Assembly)	
	7007900	2	Seal, Oil - Front (1 per Assembly)	
5A	7007933	2	Gasket (1 Per Assembly)	
5B	70002408	2	Gasket, Brake to Motor (1 Per Assembly) (Not Included in Repair Kit)	
6	3020037	AR	Lube, Coupling Grease	
7		2	Drive Hub Assembly Options:	
	2780236		Prior to SN 0300116217 (See Drive Hub Assembly for Breakdown)	
	2780282		SN 0300116217 to SN 0300138358 (See Drive Hub Assembly for Breakdown)	
8	3160237	2	Drive Motor Assembly (See Drive Motor Assembly for Breakdown)	
	7020149	2	Brush	
9	3990105	2	Speed Sensor Assembly	
10	4711600	8	Flatwasher 3/8in Thin	
11	4892000	12	Flatwasher 5/8in Hardened	
12	3020008	AR	Lubricant, Mobilube HD 80W-90	

SECTION 1 FRAME

FIGURE 1-2. TIRE AND WHEEL DRIVE INSTALLATION (CONTINUED)

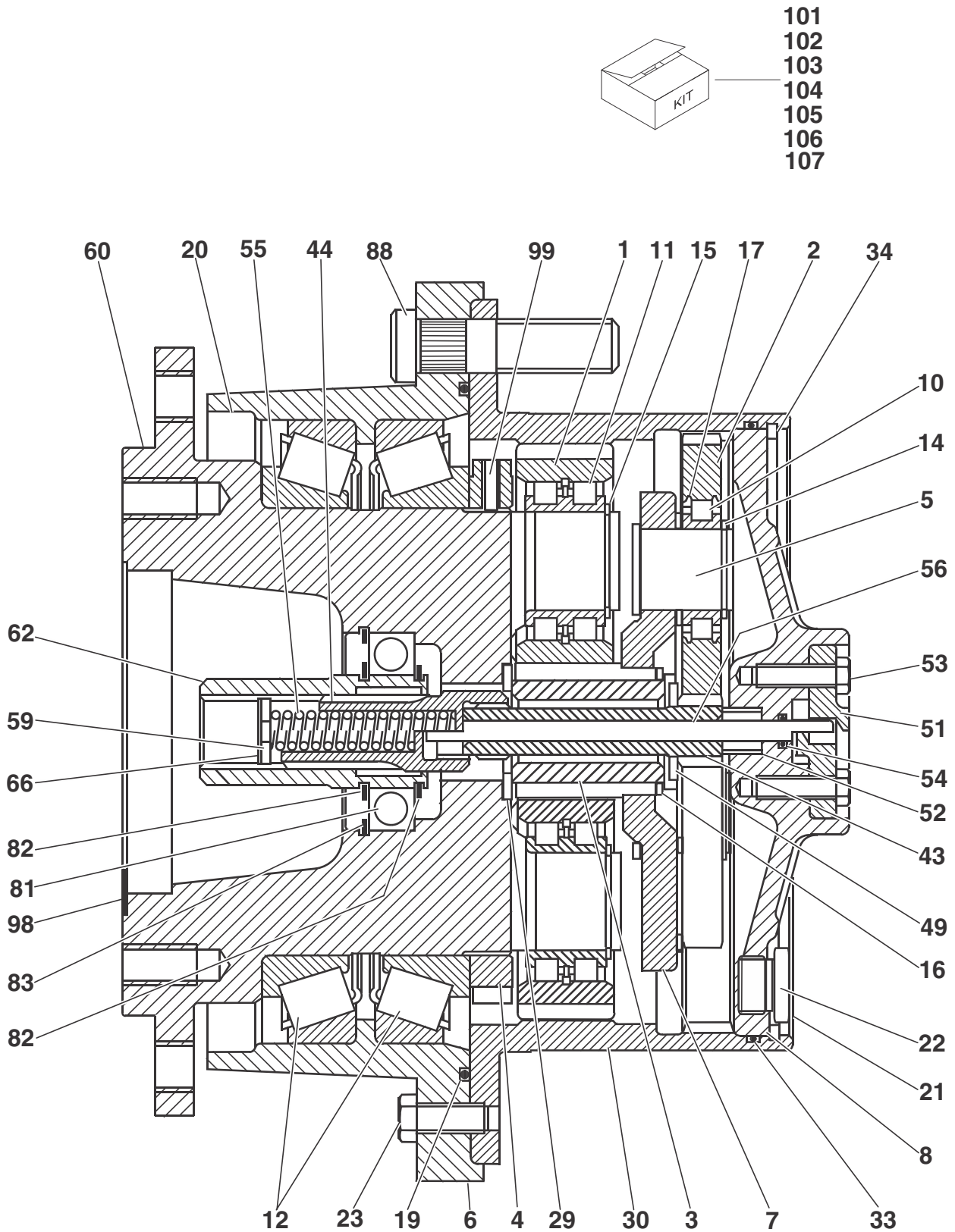
ITEM #	PART NUMBER	QTY.	DESCRIPTION	REV.
		Ref	TIRE AND WHEEL INSTALLATIONS	
		Ref	Prior to SN 0300100669	
	0258986	Ref	Standard	B
	0273587	Ref	CSA Spec	E
	0273587	Ref	SN 0300100669 to SN 0300138358	E
101	3300106	18	Lugnut	
102		4	Tire & Wheel Assembly	
			Prior to SN 0300100669	
	Use 1001110772		Standard (was p/n 4520208) (See Notes Below)	
	Use 1001110776		CSA Spec (was p/n 4520276 & p/n 4520675) (See Notes Below)	
	Use 1001110776		SN 0300100669 to SN 0300138358 (was p/n 4520675) (See Notes Below)	
		Ref	Note: Wheel is now gray, Orange Wheel is no longer available.	
		Ref	Note: When replacing tires & wheels with either p/n 1001110772 or 1001110776, assemblies must be replaced in complete sets only.)	

FIGURE 1-2. TIRE AND WHEEL DRIVE INSTALLATION (CONTINUED)

ITEM #	PART NUMBER	QTY.	DESCRIPTION	REV.

SECTION 1 FRAME

FIGURE 1-3. DRIVE HUB ASSEMBLY (PRIOR TO SN 0300116217)



SECTION 1 FRAME

FIGURE 1-3. DRIVE HUB ASSEMBLY (PRIOR TO SN 0300116217)

ITEM #	PART NUMBER	QTY.	DESCRIPTION	REV.
	2780236	Ref	DRIVE HUB ASSEMBLY	D
1	7021323	4	Gear, Planet	
2	7021324	3	Gear, Planet	
3	7021325	1	Gear, Sun	
4	7023803	1	Nut, Shaft	
		Ref	NOTE: Unless there is capability to torque shaft nut (item 4) to 625 ft/lbs. (850Nm) Repair beyond this level is NOT advised.	
5	7021326	3	Bolt, Planet	
6	7021327	1	Ring, Support	
7	7021328	1	Carrier, Planet	
8	70003711	1	Cover	
9	Not Used			
10	70003712	3	Bearing, Roller	
11	70003713	4	Bearing, Roller	
12	70003714	2	Bearing, Roller	
13	Not Used			
14	70003715	3	Ring, Retaining	
15	70003716	4	Ring, Retaining	
16	7021341	1	Ring, Retaining	
17	70003717	3	Disk, Support	
18	Not Used			
19	See Note	1	O-Ring (Note: Use Item 103 or 107)	
20	See Note	1	Seal, Ring (Note: Use Item 103 or 107)	
21	See Note	3	Plug (Note: Use Item 104 or 107)	
22	See Note	3	Seal, Ring (Note: Use Item 104 or 107)	
23	7021342	3	Bolt	
24 to 28	Not Used			
29	7024049	1	Washer, Housing	
30	7021335	1	Gear, Ring	
31 to 32	Not Used			
33	See Note	1	O-Ring (Note: Use Item 103, 104 or 107)	
34	70003718	1	Ring, Retaining	
35 to 42	Not Used			
43	7021336	1	Shaft, Sun Gear	
44	7021337	1	Shaft, Input	
45 to 48	Not Used			
49	7024051	1	Thrustwasher	
50	Not Used			
51	70003719	1	Cover	
52	70003720	1	Disk	
53	70003721	2	Bolt	
54	See Note	1	O-Ring (Note: Use Item 104, 105, 106 or 107)	
55	7024053	1	Spring, Pressure	
56	70003722	1	Rod, Shaft	
57 to 58	Not Used			
59	70003723	1	Disk, Rotor	
60	7021339	1	Spindle	

SECTION 1 FRAME

FIGURE 1-3. DRIVE HUB ASSEMBLY (PRIOR TO SN 0300116217) (CONTINUED)

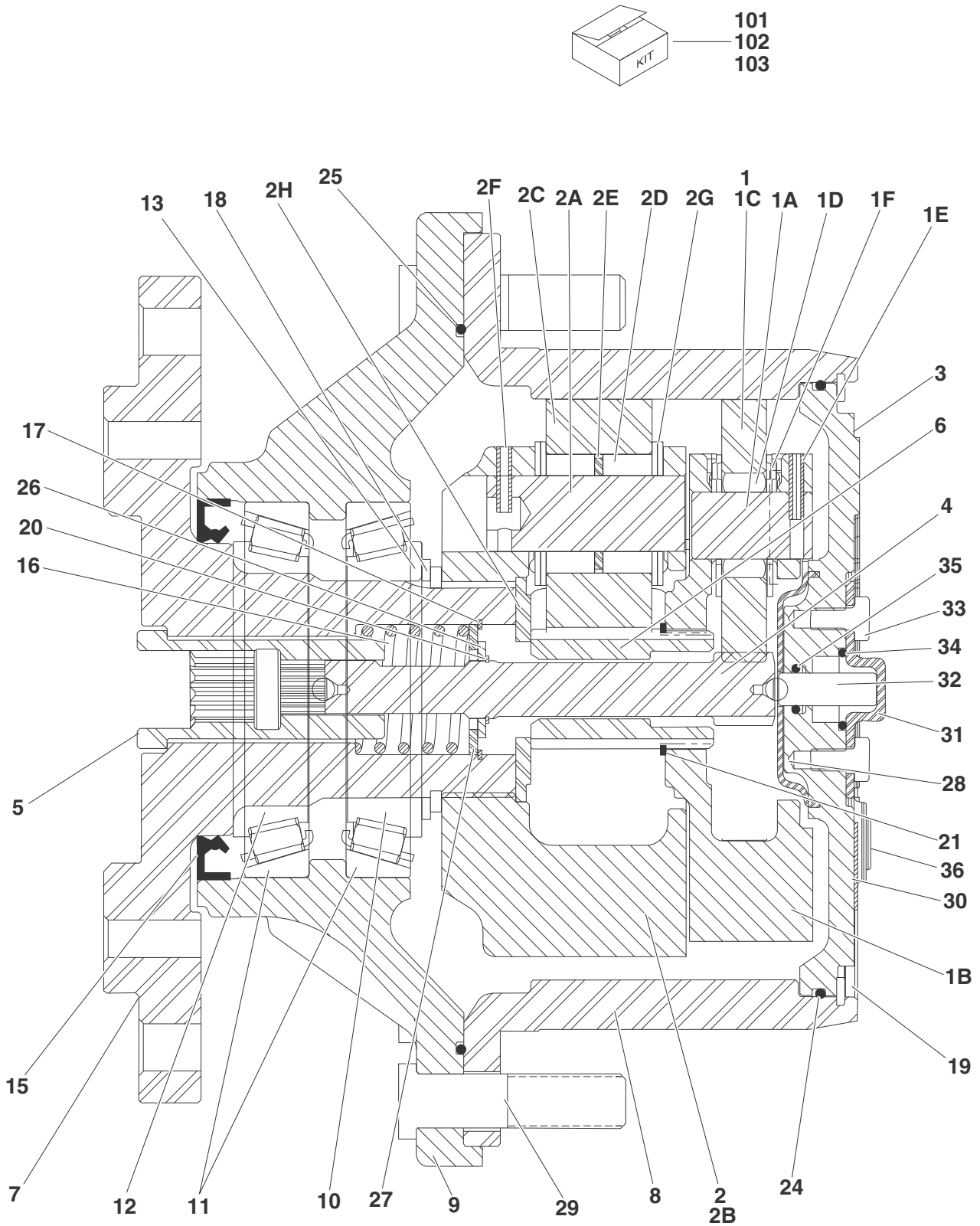
ITEM #	PART NUMBER	QTY.	DESCRIPTION	REV.
61	Not Used			
62	7021340	1	Coupler	
63 to 65	Not Used			
66	70003724	1	Ring, Retaining	
67 to 80	Not Used			
81	7024983	1	Bearing, Ball	
82	7021341	2	Ring, Retaining	
83	7024931	1	Ring, Retaining	
84 to 87	Not Used			
88	Use 7021344	9	Stud, Wheel (was p/n 7024984)	
89 to 97	Not Used			
98	7024985	1	Plug	
99		AR	Component Options:	
	See Note	2	Ball Prior to SN 0300089391 (Note: Not Available - Use Slotted Pin in Item 103 Kit)	
	See Note	2	Expander Prior to SN 0300089391 (Note: Not Available - Use Slotted Pin in Item 103 Kit)	
	See Note	2	Plug Prior to SN 0300089391 (Note: Not Available - Use Slotted Pin in Item 103 Kit)	
	70003725	2	Pin, Slotted SN 0300089391 to SN 0300115723	
		Ref	KIT OPTIONS	
101	7024981	1	Planet Gear Kit 1 (Includes Items 1, 11 & 15)	
102	7024986	1	Planet Gear Kit 2 (Includes Items 2, 10, 14 & 17)	
103	7024047	1	Bearing Kit (Includes Items 4, 12, 19, 20, 23, 33 & 99)	
		Ref	NOTE: Unless there is capability to torque shaft nut (item 4) to 625 ft/lbs. (850Nm) Repair beyond this level is NOT advised.	
104	7021329	1	Cover Kit (Includes Items 8, 21, 22, 33, 34 & 51-54)	
105	7021338	1	Mechanical Disconnect Kit (Includes Items 54-56, 59 & 66)	
106	7024054	1	Mechanical Disconnect Kit (Includes Items 51, 53, 54 & 56)	
107	7021333	1	Seal Kit (Includes Items 19-22, 33 & 54)	

FIGURE 1-3. DRIVE HUB ASSEMBLY (PRIOR TO SN 0300116217) (CONTINUED)

ITEM #	PART NUMBER	QTY.	DESCRIPTION	REV.

SECTION 1 FRAME

FIGURE 1-4. DRIVE HUB ASSEMBLY (SN 0300116217 TO SN 0300138358)



SECTION 1 FRAME

FIGURE 1-4. DRIVE HUB ASSEMBLY (SN 0300116217 TO SN 0300138358)

ITEM #	PART NUMBER	QTY.	DESCRIPTION	REV.
	2780282	Ref	DRIVE HUB ASSEMBLY	A
1	70001366	1	Carrier, Sub Assembly (Purchase p/n 70001366 for items 1A-1F)	
1A	Use 70001366	3	Shaft, Planet	
1B	Use 70001366	1	Carrier	
1C	Use 70001366	3	Gear, Planet	
1D	Use 70001366	42	Bearing, Needle	
1E	Use 70001366	3	Pin, Roll	
1F	Use 70001366	6	Thrustwasher	
2	70001367	1	Carrier, Input (Purchase p/n 70001367 for items 2A-2H)	
2A	Use 70001367	3	Shaft, Planet	
2B	Use 70001367	1	Carrier	
2C	Use 70001367	3	Gear, Planet	
2D	Use 70001367	84	Bearing, Needle	
2E	Use 70001367	3	Spacer, Thrust	
2F	Use 70001367	3	Pin, Roll	
2G	Use 70001367	12	Thrustwasher	
2H	Use 70001367	1	Thrustwasher	
3	70001368	1	Cover	
4	70001369	1	Shaft, Input	
5	70001370	1	Coupling	
6	70001371	1	Shaft, Sun Gear	
7	70001372	1	Spindle	
8	70001373	1	Gear, Ring	
9	Use 2780282	1	Housing	
10	Use 7017007	1	Bearing, Tapered-Cone	
11	Use 7017007	2	Bearing, Tapered-Cup	
12	Use 7017007	1	Bearing, Tapered-Cone	
13	7017009	1	Thrustwasher	
14	Not Used			
15	Use 70001380	1	Seal, Lip	
16	70001374	1	Spring	
17	70001375	1	Ring, Retaining (Internal)	
18	Use 70001380	1	Ring, Retaining (External)	
19	7024738	1	Ring, Retaining (Internal)	
20	70001376	1	Ring, Retaining (External)	
21	70001377	1	Ring, Retaining (External)	
22	7000281	4	Screw (Not Shown - ID plate screws)	
23	7017022	3	Bolt, Flathead (Not Shown - Located on front of hub)	
24	Use 70001380	1	O-Ring	
25	Use 70001380	1	O-Ring	
26	70001378	1	Spacer, Thrust	
27	70001379	1	Thrustwasher	
28	7024741	1	Spacer, Thrust	
29	7007640	9	Stud, Wheel	
30	Use 70001368	1	Flange, Plate	
31	Use 70001368	1	Cap, Disengage	
32	Use 70001368	1	Pin, Dowel	
33	Use 70001368	2	Bolt	

SECTION 1 FRAME

FIGURE 1-4. DRIVE HUB ASSEMBLY (SN 0300116217 TO SN 0300138358) (CONTINUED)

ITEM #	PART NUMBER	QTY.	DESCRIPTION	REV.
34	Use 70001368	1	O-Ring	
35	Use 70001368	1	O-Ring	
36	Use 70001368	1	Plug	
		Ref	KIT OPTIONS	
101	7017007	1	Planet Gear Bearing Kit (Includes Items 10-12)	
102	70001380	1	Planet Gear Seal Kit (Includes Items 15, 18, 24 & 25)	
103	70001368	1	Cap/Disengage Kit (Includes Items 30-36)	

SECTION 1 FRAME

FIGURE 1-4. DRIVE HUB ASSEMBLY (SN 0300116217 TO SN 0300138358) (CONTINUED)

ITEM #	PART NUMBER	QTY.	DESCRIPTION	REV.

SECTION 1 FRAME

FIGURE 1-5. DRIVE MOTOR ASSEMBLY

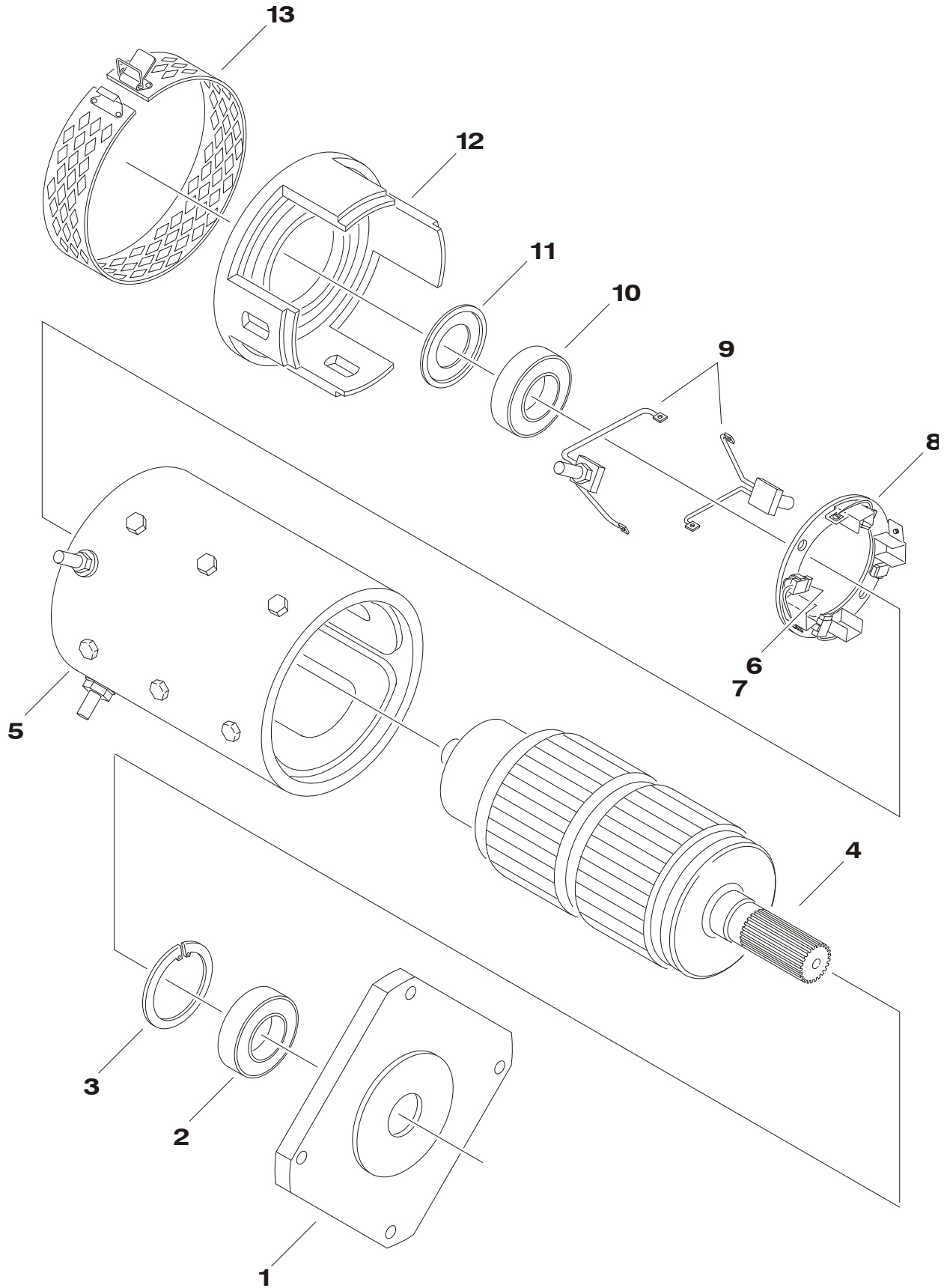


FIGURE 1-5. DRIVE MOTOR ASSEMBLY

ITEM #	PART NUMBER	QTY.	DESCRIPTION	REV.
	3160237	Ref	DRIVE MOTOR ASSEMBLY	E
1	7020184	1	Plate, Drive End	
2	7012545	1	Bearing	
3	7020185	1	Ring, Retaining	
4	Use 3160237	1	Armature	
5	Use 3160237	1	Frame & Field Assembly	
6	7012548	4	Spring, Brush	
7	7020149	4	Brush	
8	7020150	1	Holder, Brush	
9	7020151	2	Brush Lead Assembly Kit	
10	7012545	1	Bearing	
11	7012549	1	Washer, Wavy	
12	7020189	1	End, Commutator	
13	7019609	1	Headband Assembly	

SECTION 1 FRAME

FIGURE 1-6. ELECTRICAL COMPONENTS INSTALLATION

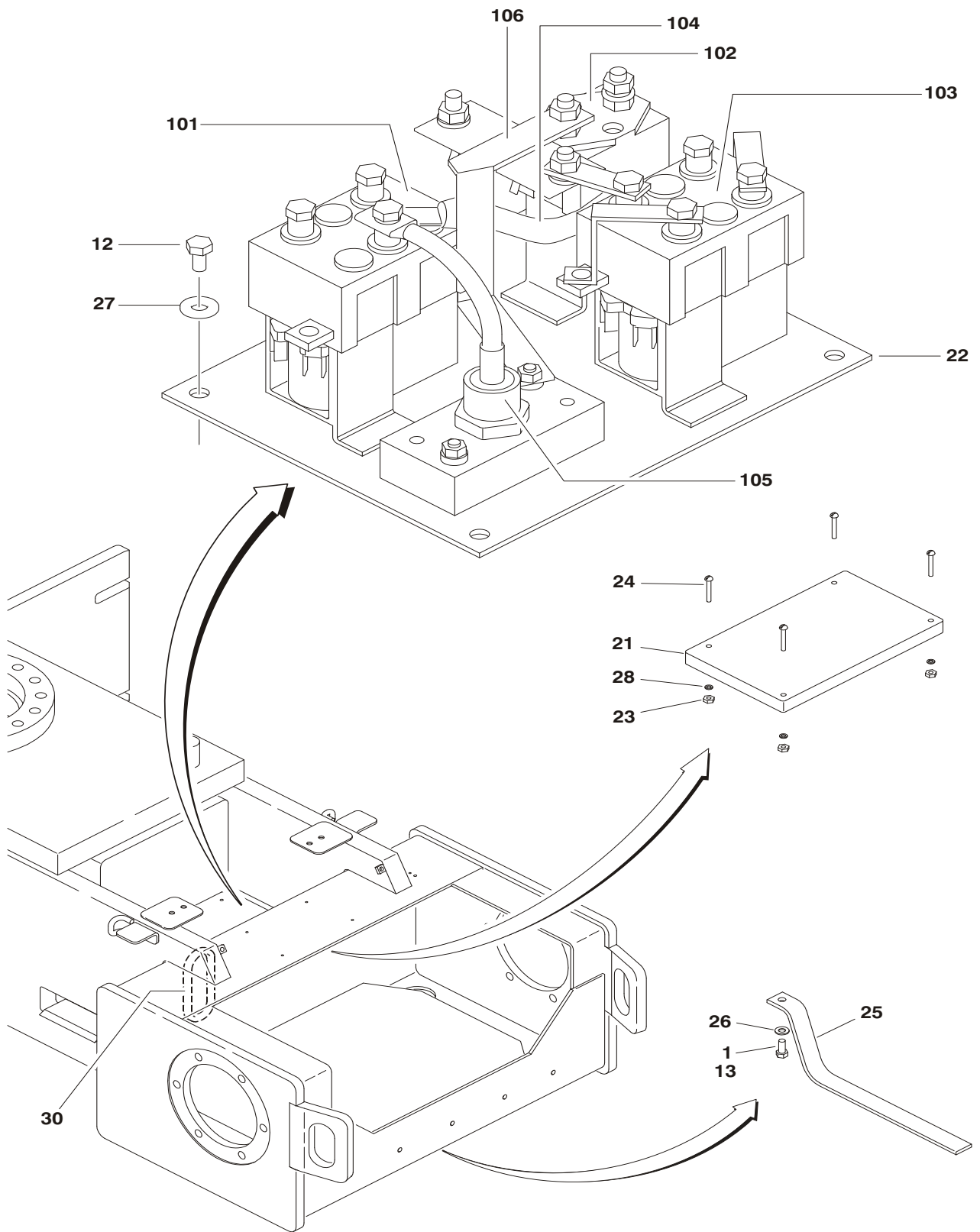
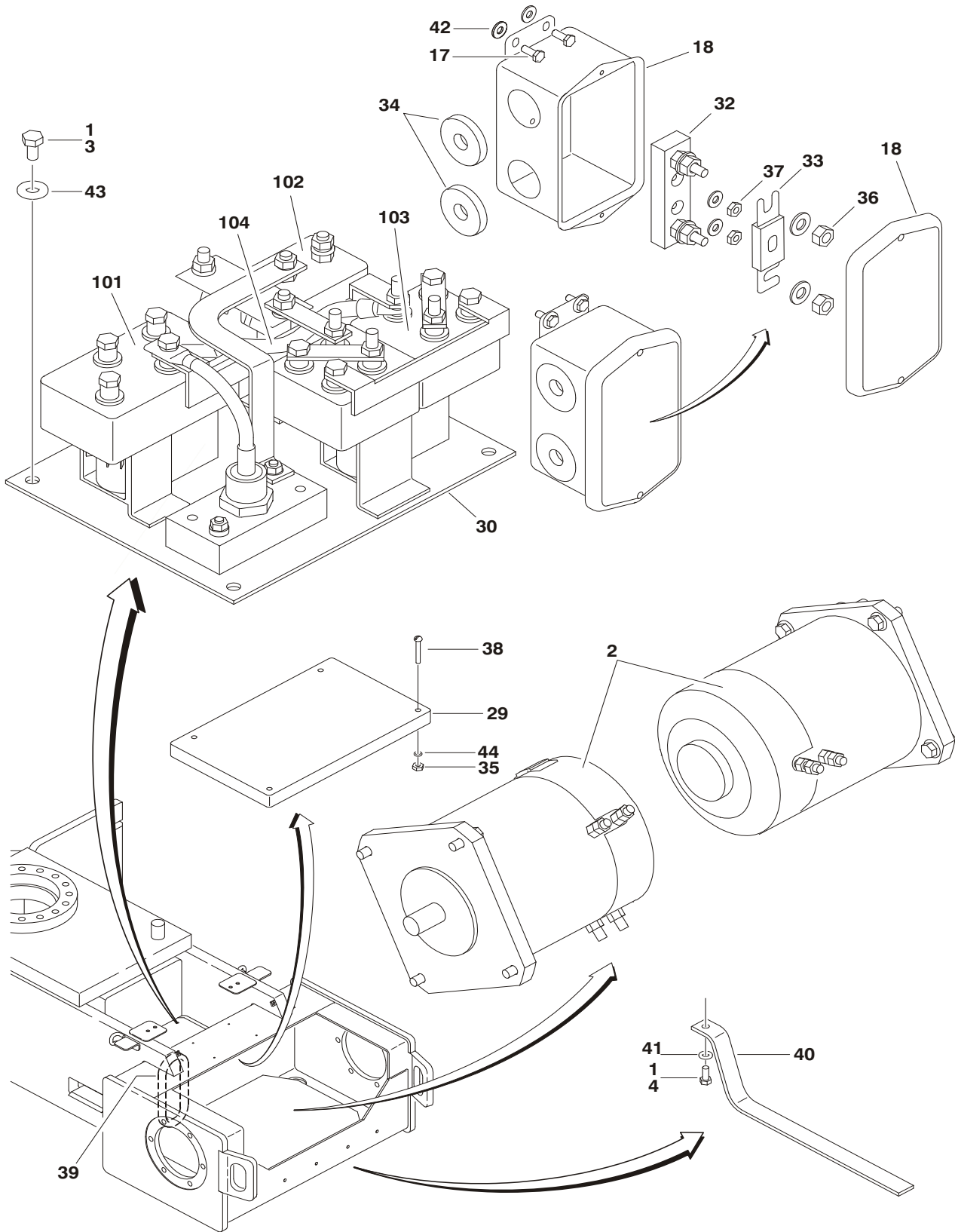


FIGURE 1-6. ELECTRICAL COMPONENTS INSTALLATION

ITEM #	PART NUMBER	QTY.	DESCRIPTION	REV.
		Ref	ELECTRICAL COMPONENTS INSTALLATION	
	0258984	Ref	Standard Spec (2WD) (Prior to SN 0300116217)	K
	0274282	Ref	Standard Spec (2WD) (SN 0300116217 to SN 0300138358)	C
	0258984	Ref	UL Spec (Prior to SN 0300035281)	K
1	0100019	AR	Compound, Locking	
2 to 11	Not Used			
12	0641404	4	Bolt 1/4in-20NC x 1/2in	
13	0641506	1	Bolt 5/16in-18NC x 3/4in	
14 to 20	Not Used			
21	1600293	1	Module (Note: Calibration is required when replaced)	
22	1600294	1	Contactora Plate Assembly (See Items 101 to 106 for Breakdown)	
23	3310601	4	Nut #6-32NC	
24	3910636	4	Bolt #6-32NC	
25	4240084	1	Strap	
26	4711500	1	Flatwasher 5/16in Thin	
27	4751400	4	Flatwasher 1/4in Regular	
28	4760600	4	Lockwasher #6	
29	Not Used			
30	4060807	15in/30cm	Shield, Flex Trim	
	1600294	Ref	CONTACTOR PLATE ASSEMBLY	E
	7022003	1	Harness, Contactora (Not Shown) (See Section 7 for Breakdown)	
	7022004	1	Harness, Posi-Track Contactora (Not Shown) (See Section 7 for Break-down)	
	7022005	1	Harness, Shunt (Not Shown) (See Section 7 for Breakdown)	
101	7022002	1	Contactora, FWD / REV	
102	7022001	1	Contactora, Main	
103	7022000	1	Contactora, Posi-Track	
104	7022012	1	Cable, Power	
105	7022011	1	Diode, Power	
106	70001052	1	Shunt/Bus Bar With Harness Assembly	

SECTION 1 FRAME

FIGURE 1-7. ELECTRICAL COMPONENTS INSTALLATION (U/L MACHINES ONLY) (SN 0300035281 TO SN 0300138358)



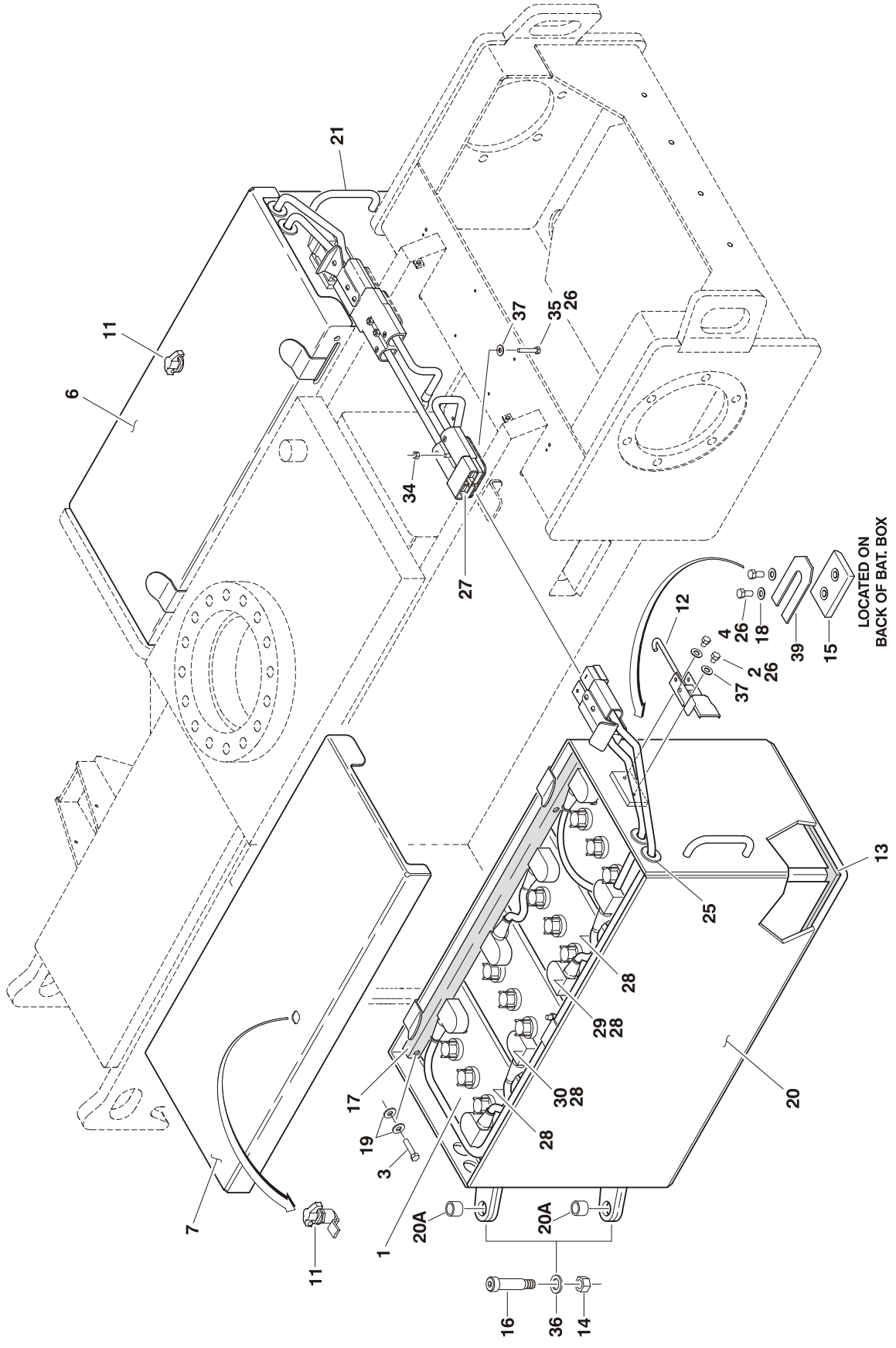
SECTION 1 FRAME

FIGURE 1-7. ELECTRICAL COMPONENTS INSTALLATION (U/L MACHINES ONLY) (SN 0300035281 TO SN 0300138358)

ITEM #	PART NUMBER	QTY.	DESCRIPTION	REV.
		Ref	ELECTRICAL COMPONENTS INSTALLATION	
	0259396	Ref	UL Machines Only (SN 0300035281 to SN 0300116217)	C
	0274283	Ref	UL Machines Only (SN 0300116217 to SN 0300138358)	C
1	0100019	AR	Compound, Locking	
2	0340047	2	Band, Motor	
3	0641404	4	Bolt 1/4in-20NC x 1/2in	
4	0641506	1	Bolt 5/16in-18NC x 3/4in	
5 to16	Not Used			
17	0721005	4	Screw, Hex Head	
18	0861375	1	Box, Cover	
19 to 28	Not Used			
29	1600293	1	Module (Note: Calibration is required when replaced)	
30	1600300	1	Contactora Plate Assy (See Items 101 to 104 for Breakdown)	B
31	1704712	1	Decal, 300 Amp Fuse (Not Shown)	
32	2400044	1	Fuse, Mounting Block	
33	2400062	1	Fuse, 300 Amp	
34	2540037	2	Grommet, Fuse Box	
35	3310601	4	Nut #6-32NC	
36	3311001	2	Nut, #10-24NC	
37	3311501	2	Nut, 5/16-18NC	
38	3910636	4	Bolt #6-32NC	
39	4060807	15in/30cm	Shield, Flex Trim	
40	4240084	1	Strap, Anti-Static	
41	4711500	5	Flatwasher 5/16in Thin	
42	4751000	6	Flatwasher, #10 Regular	
43	4751400	4	Flatwasher 1/4in Regular	
44	4760600	4	Lockwasher #6	
	1600300	Ref	CONTACTOR PLATE ASSEMBLY	B
	7022008	1	Harness, Contactor (Not Shown) (See Section 7 for Breakdown)	
	7022004	1	Harness, Posi-Track Contactor (Not Shown) (See Section 7 for Breakdown)	
	7022005	1	Harness, Shunt (Not Shown) (See Section 7 for Breakdown)	
101	7022007	1	Contactora, FWD / REV	
102	7022009	1	Contactora, Main	
103	7022010	2	Contactora, Posi-Track	
104	7022012	1	Cable, Power	

SECTION 1 FRAME

FIGURE 1-8. BATTERY BOX INSTALLATIONS



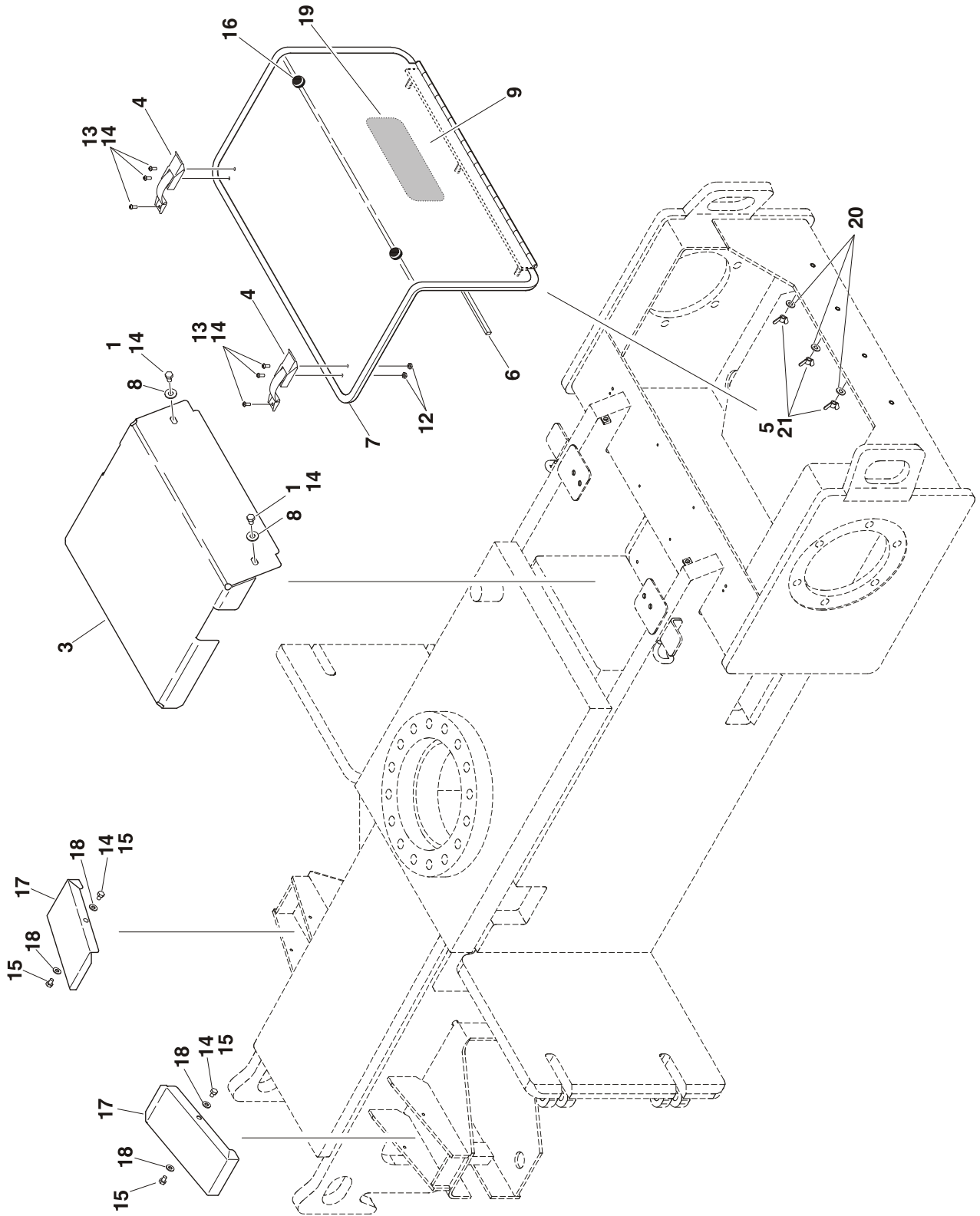
LOCATED ON
BACK OF BAT. BOX

FIGURE 1-8. BATTERY BOX INSTALLATIONS

ITEM #	PART NUMBER	QTY.	DESCRIPTION	REV.
			BATTERIES INSTALLATION	
	0259042	Ref	Standard Machines	J
	0259417	Ref	U/L Machines	F
1		8	Battery Options: Wet Dry	
	0400055			
	0400107			
2	0641403	4	Bolt 1/4in-20NC x 3/8in	
3	0641512	4	Bolt 5/16in-18NC x 1-1/2in	
4	0641606	4	Bolt 3/8in-16NC x 3/4in	
5	Not Used			
6	1670878	1	Cover, (Right)	
7	1670890	1	Cover, (Left)	
8 to 10	Not Used			
11	2940073	2	Latch	
12	2940114	2	Latch	
13	3000003	2	Liner	
14	3312005	4	Locknut 5/8in-11NC	
15	3340852	2	Pad	
16	3900266	4	Screw, Shoulder	
17	4567739	2	Tube	
18	4711600	4	Flatwasher 3/8in Thin	
19	4751500	8	Flatwasher 5/16in Regular	
20	4845923	1	Box, Battery (Left)	
20A	0962233	2	Bushing	
21	4845924	1	Box, Battery (Right)	
21A	0962233	2	Bushing (Not Shown)	
22	2820066	4	Insulator - Sides (Prior to SN 0300052764 Only)	
23	2820101	4	Insulator - Ends (Prior to SN 0300052764 Only)	
24	2820102	2	Insulator - Tops (U/L Machines Only) (Not Shown)	
25	2540020	4	Grommet	
26	0100011	AR	Compound, Locking	
27	0100048	AR	Grease, Dielectric	
28	0100051	AR	Grease, Battery Terminal	
29	0840031	9	Boot	
30	0840032	7	Boot	
31 to 33	Not Used			
34	3311401	4	Nut 1/4in-20NC	
35	3931430	4	Bolt 1/4in-20NC x 1-7/8in	
36	4740086	8	Thrustwasher	
37	4751400	8	Flatwasher 1/4in Regular	
38	4420055	AR	Tape (Not Shown) (Prior to SN 0300103058)	
39	4070904	2	Shim	

SECTION 1 FRAME

FIGURE 1-9. FRAME COVERS INSTALLATION



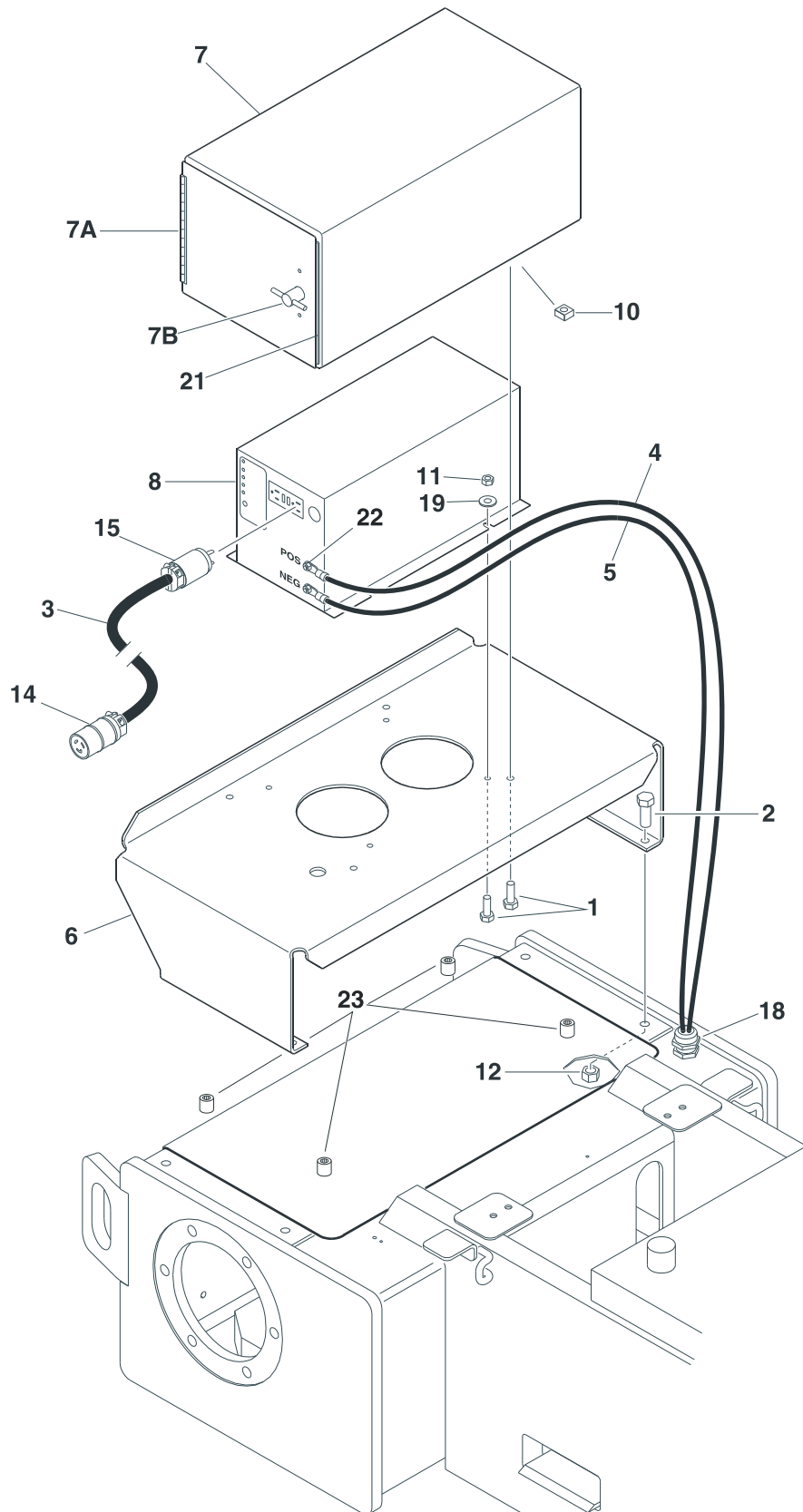
SECTION 1 FRAME

FIGURE 1-9. FRAME COVERS INSTALLATION

ITEM #	PART NUMBER	QTY.	DESCRIPTION	REV.
	0258991	Ref	FRAME SHIELDS INSTALLATION	H
1	0641504	2	Bolt 5/16in-18NC x 1/2in	
2	Not Used			
3	1670897	1	Cover, Contractor	
4	2940118	2	Latch, Draw	
5		AR	Hardware Options:	
	3300371	5	Wingnut (Prior to SN 0300102714)	
	3311401	3	Nut 1/4in-20NC (SN 0300102714 to SN 0300138358)	
6	3960433	22in/56cm	Seal	
7	3960447	6.3ft/1.9m	Seal	
8	4751500	2	Flatwasher 5/16in Regular	
9	4845962	1	Cover, Rear Axle	
10 to 11	Not Used			
12	3311005	4	Locknut #10-24NC	
13	0630464	6	Screw	
14	0100011	AR	Compound, Locking	
15	0641403	4	Bolt 1/4in-20NC x 3/8in (Prior to SN 0300073793)	
16	0940036	2	Bumper, Door	
17	1670902	2	Cover, Kingpin (Prior to SN 0300073793)	
18	4711400	4	Flatwasher 1/4in Thin (Prior to SN 0300073793)	
19	1704246	1	Decal	
20	4751400	3	Flatwasher 1/4in (Regular) (SN 0300102714 to SN 0300138358)	
21	0100035	AR	Compound, Locking (SN 0300102714 to SN 0300138358)	

SECTION 1 FRAME

FIGURE 1-10. INVERTER INSTALLATION (OPTIONAL ON E300AJ & E300AJP)



SECTION 1 FRAME

FIGURE 1-10. INVERTER INSTALLATION (OPTIONAL ON E300AJ & E300AJP)

ITEM #	PART NUMBER	QTY.	DESCRIPTION	REV.
	0259879	Ref	INVERTER INSTALLATION	G
1	0641406	8	Bolt 1/4in-20NC x 3/4in	
2	Use 0641618	4	Bolt 3/8in-16NC x 1in Options: Prior to SN 0300057318 (was p/n 0641608) SN 0300057318 to SN 0300138358	
3	1060494	11ft/3.4m	Cable, Electrical - 12/3	
4	1060801	1	Cable, Electrical (+)	
5	1060802	1	Cable, Electrical (-)	
6	1271463	1	Channel, Mounting	
7	1670953	1	Cover Weldment	
7A	2600103	1	Hinge (Welded on Part)	
7B	2940048	1	Latch	
8	Use 2460037	1	Inverter/Generator (was p/n 2460023)	
9	2820035	11ft/3.4m	Loom, Expandable (Not Shown - Covers Items 4 & 5)	
10	3300353	4	Nut, Retainer	
11	3311405	4	Locknut 1/4in-20NC	
12	3311605	4	Locknut 3/8in-16NC	
13	Not Used			
14	4460134	1	Connector, Female	
15	4460138	1	Plug, Connector	
16	4460259	1	Terminal (Prior to SN 0300057318 Only)	
17	4460260	1	Housing, Positive (Prior to SN 0300057318 Only)	
18	Use 4460426	1	Connector, Strain Relief Options: Prior to SN 0300057318 (was p/n 4460526) SN 0300057318 to SN 0300138358	
19	4751400	4	Flatwasher 1/4in Regular	
20	Not Used			
21	4060803	8.5in/21cm	Flex-Trim (Prior to SN 0300136647)	
22	4460035	1	Terminal, Butt 14-16 Gauge	
23	4568165	4	Tube, Spacer	

SECTION 1 FRAME

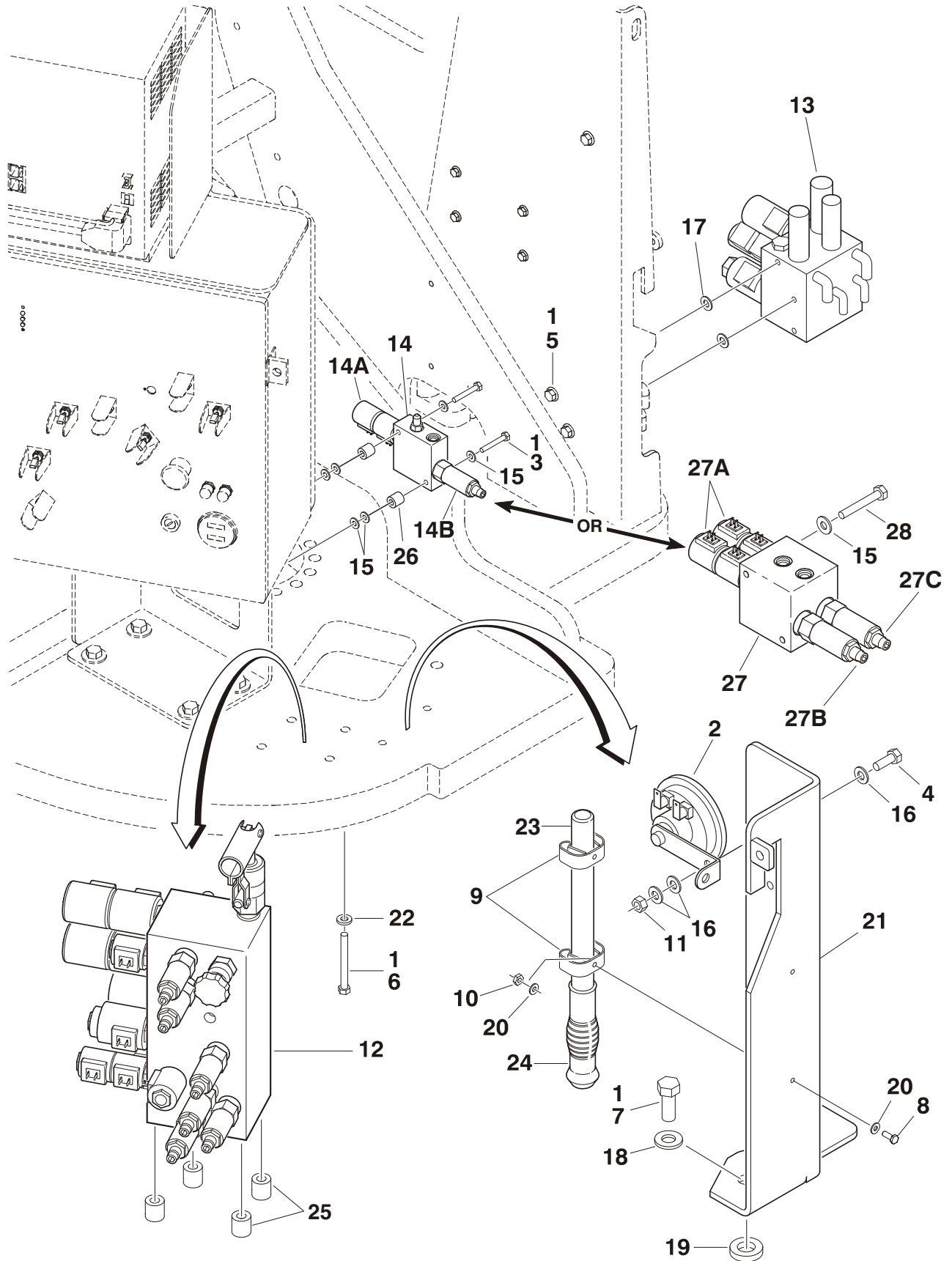
FIGURE 1-10. INVERTER INSTALLATION (OPTIONAL ON E300AJ & E300AJP) (CONTINUED)

ITEM #	PART NUMBER	QTY.	DESCRIPTION	REV.

SECTION 2 TURNTABLE

SECTION 2 TURNTABLE

FIGURE 2-1. VALVES AND HORN INSTALLATIONS



SECTION 2 TURNTABLE

FIGURE 2-1. VALVES AND HORN INSTALLATIONS

ITEM #	PART NUMBER	QTY.	DESCRIPTION	REV.
		Ref	VALVES & HORN INSTALLATIONS	
	0258989	Ref	E300A	K
	0258990	Ref	E300AJ	I
	0259505	Ref	E300AJP	G
1	0100011	AR	Compound, Locking	
2	0140028	1	Horn	
3	0641414	AR	Bolt 1/4in-20NC x 1-3/4in	
4	0641507	1	Bolt 5/16in-18NC x 7/8in	
5	0641608	2	Bolt 3/8in-16NC x 1in	
6	0641628	4	Bolt 3/8in-16NC x 3-1/2in	
7	0641810	2	Bolt 1/2in-13NC x 1-1/4in	
8	0721005	2	Bolt #10-24NC x 5/8in	
9	1380136	2	Clip	
10	3311005	2	Locknut #10-24NC	
11	3311505	1	Locknut 5/16in-18NC	
12		1	Main Control Valve Assembly Options: (See Main Control Valve Assembly for Breakdown)	
	4641110		Prior to SN 0300063313 except SNs 62845 & 63278	
	Use 1001109260		SNs 62845 & 63278 Only (was p/n 4641196)	
	Use 1001109260		SN 0300063313 to SN 0300127575 (was p/n 4641196)	
	1001097776		SN 0300127575 to SN 0300138358	
13		1	Steer/Brake Valve Assembly Options: (See Steer/Brake Valve Assembly for Breakdown):	
	Use 1001097506		Prior to SN 0300050453 (was p/n 4641113)	
	Use 1001097506		SN 0300050453 to SN 0300127575 (was p/n 4641149)	
	1001097506		SN 0300127575 to SN 0300138358	
14		AR	Jib Valve Assembly Options:	
	Not Required	0	E300A	
	Use 1001097775	1	E300AJ Prior to SN 0300127575 (was p/n 4641102)	
	1001097775	1	E300AJ SN 0300127575 to SN 0300138358	
	Use 1001097775	2	E300AJP Prior to SN 0300047973 (was p/n 4641102)	
	Not Required	0	E300AJP SN 0300047973 to SN 0300138358 (Uses Item 27)	
14A	7017452	1	Cartridge without Coils	
	7017402	1	Seal Kit- 701452 Cartridge	
	7021609	2	Coil	
14B		AR	Cartridge Options:	
	7017460	1	Cartridge (Prior to SN 0300127575)	
	7017461	1	Seal Kit 7017460 Cartridge	
	70002807	1	Cartridge (SN 0300127575 to SN 0300138358)	
	7021653	1	Seal Kit 70002807 Cartridge	
15	4711400	AR	Flatwasher 1/4in Thin	
16	4711500	3	Flatwasher 5/16in Thin	
17	4711600	4	Flatwasher 3/8in Thin	
18		2	Flatwasher 1/2in Options:	
	Use 4891800		(Prior to SN 0300055743) (was p/n 4711800 - Thin)	
	4891800		(SN 0300055743 to SN 0300138358) (Hardened)	
19	4740393	2	Flatwasher, Special	
20	4751000	4	Flatwasher #10 Regular	

SECTION 2 TURNTABLE

FIGURE 2-1. VALVES AND HORN INSTALLATIONS (CONTINUED)

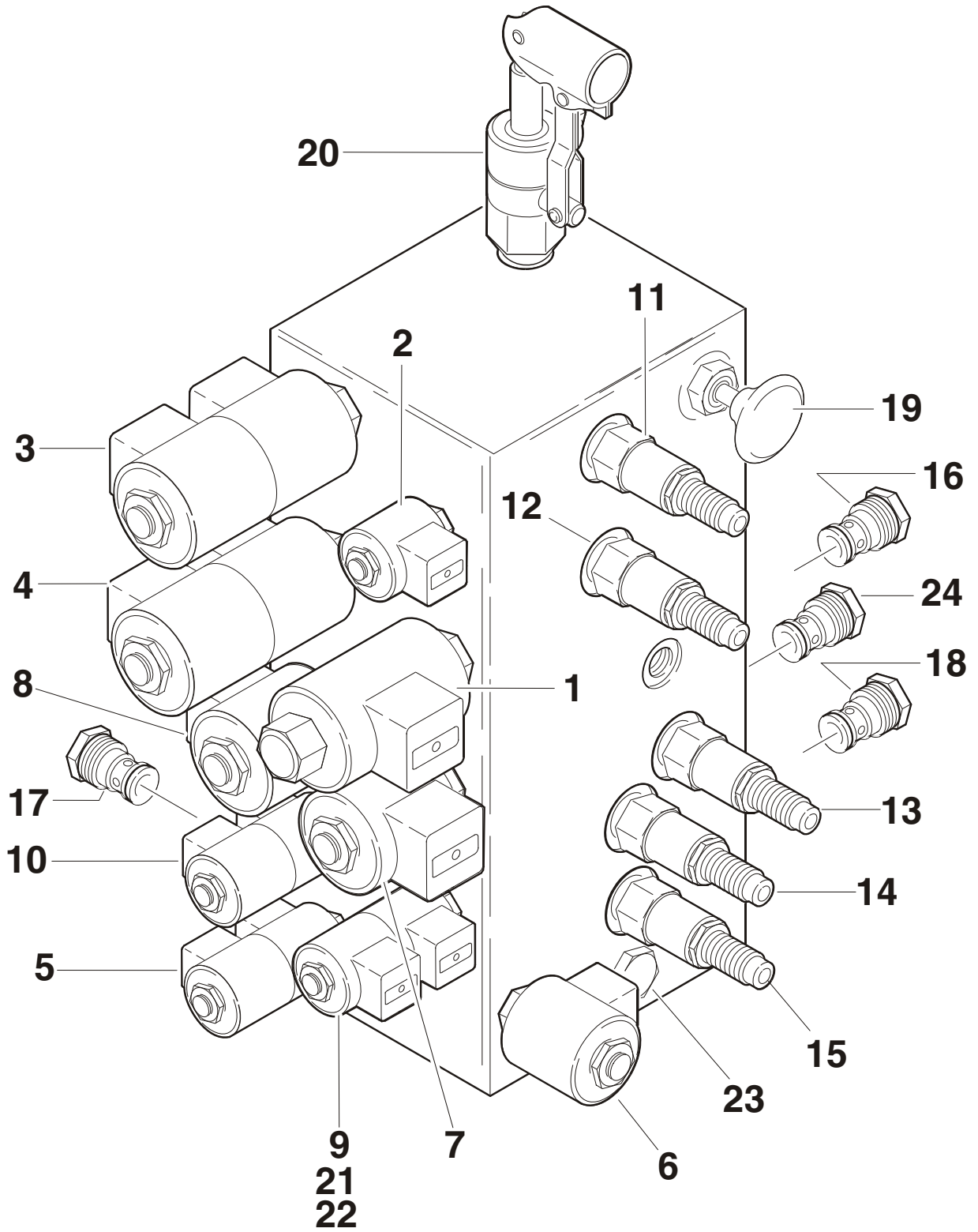
ITEM #	PART NUMBER	QTY.	DESCRIPTION	REV.
21	4846016	1	Hood Attachment	
22	4891600	4	Flatwasher 3/8in Hardened	
23	2560122	1	Handle	
24	2560123	1	Grip, Handle	
25	4567922	4	Spacer, Tube	
26		AR	Spacer, Tube Options:	
	Not Required	0	E300A & E300AJ	
	4565256	2	E300AJP Prior to SN 0300047973 (Located between Item 14 Valves)	
	Not Required	0	E300AJP SN 0300047973 to SN 0300138358	
27		AR	Jib Valve Assembly Options:	
	Not Required	0	E300A & E300AJ	
	Not Required	0	E300AJP Prior to SN 0300047973 (Uses Qty 2 of Item 14)	
	Use 1001097505	1	E300AJP SN 0300047973 to SN 0300127575 (was p/n 4641119)	
	1001097505	1	E300AJP SN 0300127575 to SN 0300138358	
27A	7017452	2	Cartridge without Coils	
	7017402	2	Seal Kit- 701452 Cartridge (1 Per Cartridge)	
	7021609	4	Coil	
27B		1	Cartridge Options:	
	Use 7017460		Cartridge Used on 4641119 Valve (was p/n 7021623) (SN 0300047973 to SN 0300127575)	
	7017461	1	Seal Kit - 7021623 & 7017460 Cartridge (1 Per Cartridge)	
	70002807		Cartridge Used on 1001097505 Valve (SN 0300127575 to SN 0300138358)	
	7021653	1	Seal Kit - 70002807 Cartridge (1 Per Cartridge)	
27C		1	Cartridge Options:	
	Use 7017460		Cartridge Used on 4641119 Valve (was p/n 7021623) (SN 0300047973 to SN 0300127575)	
	7017461	1	Seal Kit - 7021623 & 7017460 Cartridge (1 Per Cartridge)	
	70002808		Cartridge Used on 1001097505 Valve (SN 0300127575 to SN 0300138358)	
	7021653	2	Seal Kit - 70002808 Cartridge (1 Per Cartridge)	
28	0641426	AR	Bolt 1/4in-20NC x 3-1/4in	

FIGURE 2-1. VALVES AND HORN INSTALLATIONS (CONTINUED)

ITEM #	PART NUMBER	QTY.	DESCRIPTION	REV.

SECTION 2 TURNTABLE

FIGURE 2-2. MAIN CONTROL VALVE ASSEMBLY



SECTION 2 TURNTABLE

FIGURE 2-2. MAIN CONTROL VALVE ASSEMBLY

ITEM #	PART NUMBER	QTY.	DESCRIPTION	REV.
		Ref	MAIN CONTROL VALVE ASSEMBLY OPTIONS:	
	4641110	Ref	Prior to SN 0300063313 except SNs 0300062845 & 0300063278	C
	Use 1001109260	Ref	SNs 0300062845 & 0300063278 Only (was p/n 4641196)	A/G
	Use 1001109260	Ref	SN 0300063313 to SN 0300127575 (was p/n 4641196)	A/G
	1001097776	Ref	SN 0300127575 to SN 0300138358	E
		Ref	Note: Original Equipment Valve may have been replaced with Service Replacement Valve. Identify p/n stamped on valve before ordering parts.	
1	7021611	1	Cartridge without Coil (Flow Regulator)	
	7012518	1	Seal Kit - 7021611 Cartridge	
	7021618	1	Coil	
2	7017410	1	Cartridge without Coil (Bypass Unloading)	
	7012967	1	Seal Kit - 7017410 Cartridge	
	7021609	2	Coil	
3	7021603	1	Cartridge without Coil (Lift)	
	7012903	1	Seal Kit - 7021603 Cartridge	
	7021610	2	Coil	
4	7021603	1	Cartridge without Coil (Lift)	
	7012903	1	Seal Kit - 7021603 Cartridge	
	7021610	2	Coil	
5	7017433	1	Cartridge without Coil (Swing)	
	7017402	1	Seal Kit - 7017433 Cartridge	
	7021609	1	Coil	
6	7021604	1	Cartridge without Coil (Swing Restrictor)	
	7012953	1	Seal Kit - 7021604 Cartridge	
	7021609	1	Coil	
7		1	Cartridge without Coil (Telescope In) Options:	
	7017479		Cartridge Prior to SN 0300127575	
	7012995		Cartridge SN 0300127575 to SN 0300138358	
	7012518	1	Seal Kit - 7017479 & 7012995 Cartridges	
	7021610	1	Coil	
8		1	Cartridge without Coil (Telescope Out) Options:	
	7017479		Cartridge Prior to SN 0300127575	
	7022394		Cartridge SN 0300127575 to SN 0300138358	
	7012518	1	Seal Kit - 7017479 & 7022394 Cartridge	
	7021610	1	Coil	
9	7017452	1	Cartridge without Coil (Platform Level)	
	7017402	1	Seal Kit - 7017452 Cartridge	
	7021609	2	Coil	
10	7017452	1	Cartridge without Coil (Rotator)	
	7017402	1	Seal Kit - 7017452 Cartridge	
	7021609	2	Coil	
11		1	Cartridge Options:	
	7017423		Cartridge Prior to SN 0300127575 (Lower Lift Down)	
	7021606		Cartridge SN 0300127575 to SN 0300138358 (Upper Lift Down)	
	7012998	1	Seal Kit - 7017423 & 7021606 Cartridges	

SECTION 2 TURNTABLE

FIGURE 2-2. MAIN CONTROL VALVE ASSEMBLY (CONTINUED)

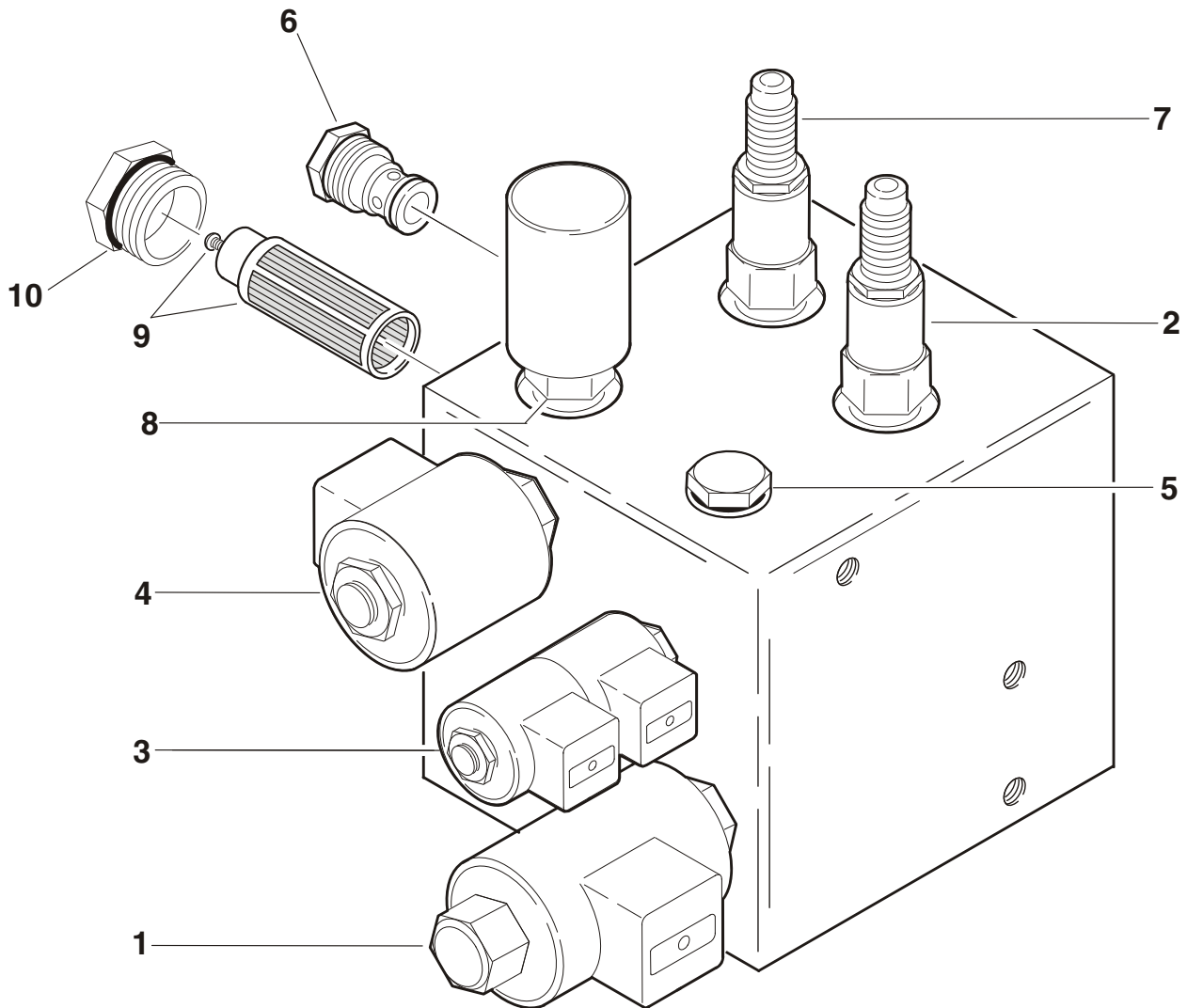
ITEM #	PART NUMBER	QTY.	DESCRIPTION	REV.
12	7021606 7017423	1	Cartridge Options: Cartridge Prior to SN 0300127575 (Upper Lift Down) Cartridge SN 0300127575 to SN 0300138358 (Lower Lift Down)	
	7012998	1	Seal Kit - 7017423 & 7021606 Cartridges	
13	7021607 70001875	1	Cartridge (Telescope) Options: Prior to SN 0300127575 SN 0300127575 to SN 0300138358	
	7012998	1	Seal Kit - 70001875 & 7021607 Cartridge	
14	7017421 7017418	1	Cartridge (Platform Level Backward Piston End) Cartridge Prior to SN 0300127575 Cartridge SN 0300127575 to SN 0300138358	
	7012998	1	Seal Kit - 7017421 & 7017418 Cartridges	
15	7017422 7017418 7017421	1	Cartridge (Platform Level Forward Rod End) Options: Cartridge Prior to SN 0300063313 Cartridge SN 0300063313 to SN 0300127575 Cartridge SN 0300127575 to SN 0300138358	
	7012998	1	Seal Kit - 7017422, 7017421 & 7017418 Cartridges	
16	Use 10837580 7010543	1	Cartridge (Telescope) (was p/n 7010542) Seal Kit - 7010542/10837580 Cartridge	
17	7012914 7012918	1	Cartridge (Platform Level Piston Side) Seal Kit - 7012914 Cartridge	
18	7012914 7024845 7012918	1	Cartridge/Plug Options: Cartridge (Platform Level Rod Side) Prior to SN 0300127575 Plug SN 0300127575 to SN 0300138358 Seal Kit - 7012914 Cartridge	
19	7012947 7012518	1	Cartridge, (Emergency Descent) Seal Kit - 7012947 Cartridge	
	7012949 7012961	1	Knob Options: Knob Prior to SN 0300127575 Knob SN 0300127575 to SN 0300138358	
20	Use 70004019 2900756	1	Pump, Manual (was p/n 7012694) Seal Kit - 7012694/70004019 Cartridge	
21	See Note	1	Plug, Orifice .031in (Note: Not Available for Purchase)	
22	7021624 See Note	1	Disc, Orifice .028in Orifice Prior to SN 0300127575 Orifice SN 0300127575 to SN 0300138358 (Note: Not Available for Purchase)	
23	7017460 7017461	1	Cartridge (Swing Relief) Seal Kit - 7017460 Cartridge	
24	See Note 7012914 7012918	1	Cartridge/Plug Options: Plug Prior to SN 0300127575 (Note: Not Available for Purchase) Cartridge SN 0300127575 to SN 0300138358 Seal Kit - 7012914 Cartridge	

FIGURE 2-2. MAIN CONTROL VALVE ASSEMBLY (CONTINUED)

ITEM #	PART NUMBER	QTY.	DESCRIPTION	REV.

SECTION 2 TURNTABLE

FIGURE 2-3. STEER/BRAKE VALVE ASSEMBLY



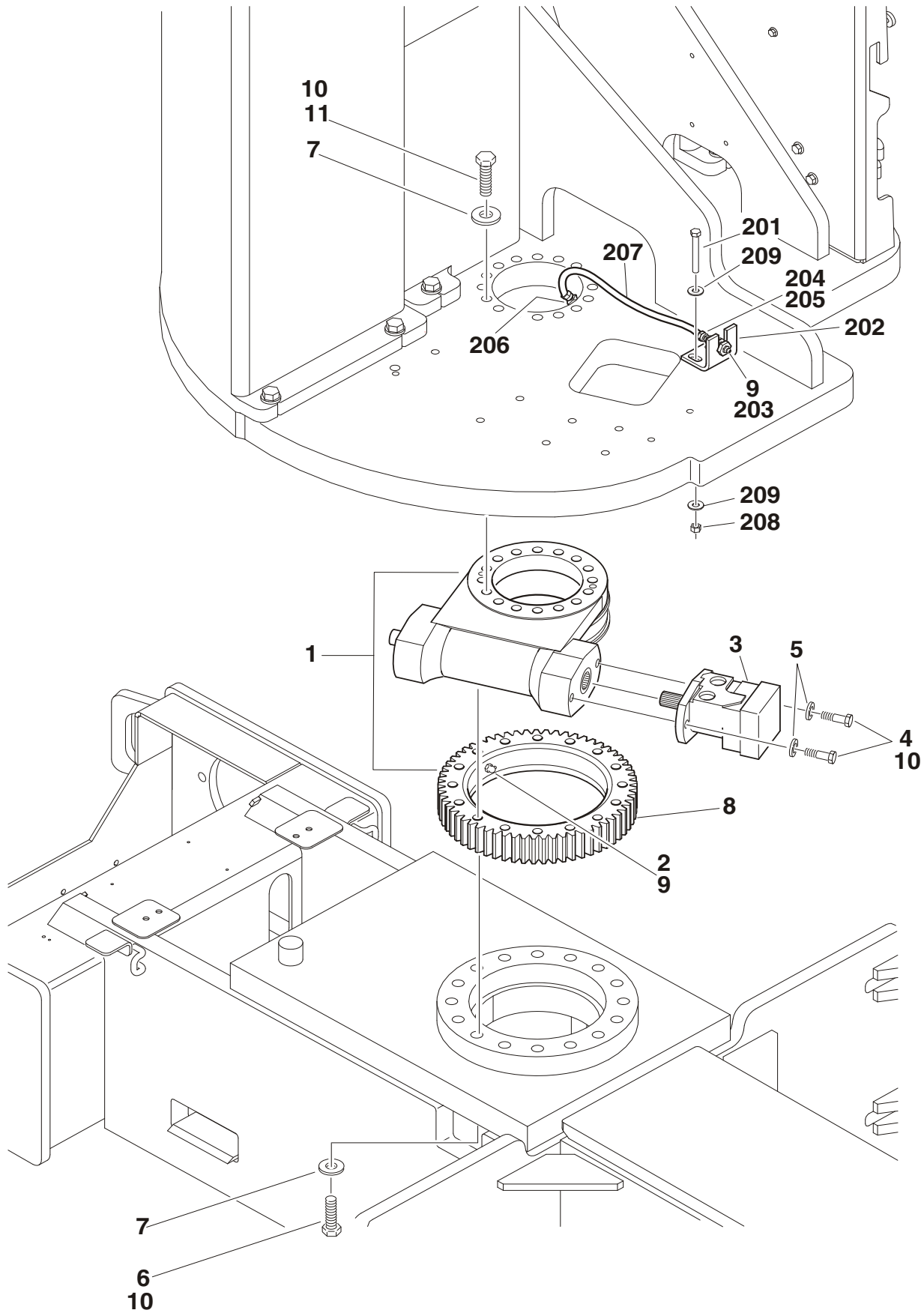
SECTION 2 TURNTABLE

FIGURE 2-3. STEER/BRAKE VALVE ASSEMBLY

ITEM #	PART NUMBER	QTY.	DESCRIPTION	REV.
		Ref	STEER/BRAKE VALVE ASSEMBLY	
	Use 1001097506	Ref	Prior to SN 0300050453 (was p/n 4641113)	B/B
	Use 1001097506	Ref	SN 0300050453 to SN 0300127575 (was p/n 4641149)	B/F
	1001097506	Ref	SN 0300127575 to SN 0300138358	B
		Ref	Note: Original Equipment Valve may have been replaced with Service Replacement Valve. Identify p/n stamped on valve before ordering parts.	
1	7017450	1	Cartridge, Proportional without Coil (Flow Control) Options: Prior to SN 0300050453	
	7021611		SN 0300050453 to SN 0300138358	
	7012518	1	Seal Kit - 7017450/7021611 Cartridge	
	7021618	1	Coil	
2	7012912	1	Cartridge, Relief (Main) Options: Prior to SN 0300050453	
	7021659		SN 0300050453 to SN 0300138358	
	7012998	1	Seal Kit - Cartridge Options: Seal Kit - 7012912 Cartridge (Prior to SN 0300050453)	
	7012972		Seal Kit - 7021659 Cartridge (SN 0300050453 to SN 0300138358)	
3	7017433	1	Cartridge (Steer)	
	7017402	1	Seal Kit - 7017433 Cartridge	
	7021609	2	Coil	
4	7017455	1	Cartridge without Coil (Brake Release) Options: Prior to SN 0300050453	
	7012941		SN 0300050453 to SN 0300138358	
	7017463	1	Seal Kit - Cartridge Options: Seal Kit - 7017455 Cartridge (Prior to SN 0300050453)	
	7010543		Seal Kit - 7012941 Cartridge (SN 0300050453 to SN 0300138358)	
	7021610	1	Coil Options: Prior to SN 0300050453	
	7021609		SN 0300050453 to SN 0300138358	
5	7017412	1	Cartridge, Check Options: Prior to SN 0300050453	
	7022391		SN 0300050453 to SN 0300138358	
	7012967	1	Seal Kit - 7017412 & 7022391 Cartridge	
6	7010542	1	Cartridge, Shuttle	
	7010543	1	Seal Kit - 7010542 Cartridge	
7	7012912	1	Cartridge, Relief (Steer) Options: Prior to SN 0300050453	
	7017428		SN 0300050453 to SN 0300102543	
	7017488		SN 0300102543 to SN 0300138358	
	7012953	1	Seal Kit - Cartridge Options: Seal Kit - 7012912 Cartridge (Prior to SN 0300050453)	
	7012998		Seal Kit - 7017428 & 7017488 Cartridges (SN 0300050453 to SN 0300138358)	
8	7021619	1	Switch, Pressure	
9	7021616	1	Cartridge, Filter	
10	7024832	1	Plug	

SECTION 2 TURNTABLE

FIGURE 2-4. TURNTABLE AND SWING DRIVE INSTALLATION



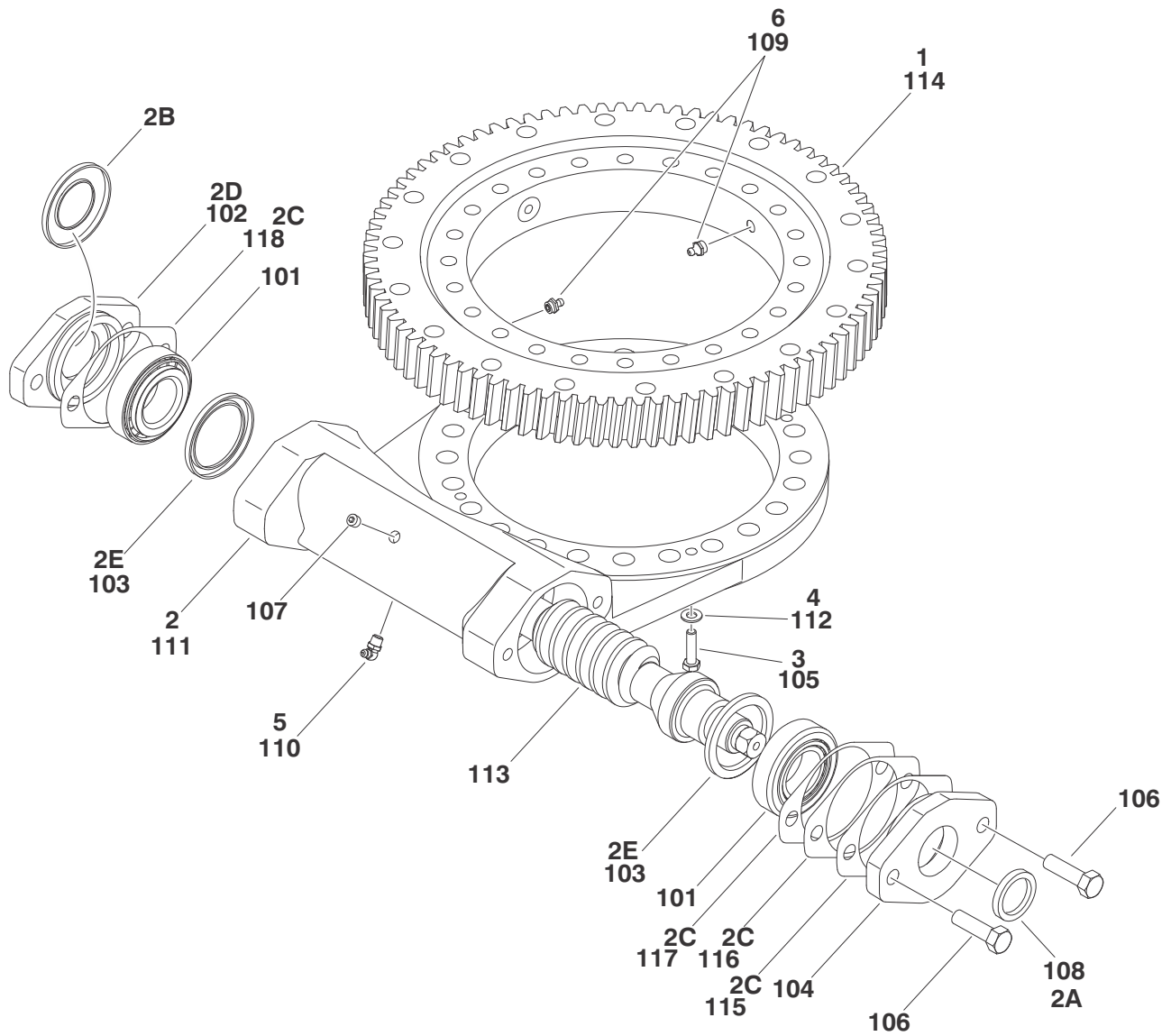
SECTION 2 TURNTABLE

FIGURE 2-4. TURNTABLE AND SWING DRIVE INSTALLATION

ITEM #	PART NUMBER	QTY.	DESCRIPTION	REV.
	0258987	Ref	TURNTABLE BEARING AND SWING INSTALLATION	10
1		1	Bearing/Worm Assembly Options (See Swing Bearing Assembly for Breakdown):	
	Use 0440338		Prior to SN 0300097889 (was p/n 0440202)	
	0440338		SN 0300097889 to SN 0300138358	
2	2160003	1	Fitting, Elbow	
3		1	Swing Motor Assembly	
	Use 1001105456		Prior to SN 03000135648 (Kit includes p/n 1001104851 motor & mounting hardware) (was p/n 3160182 - See Swing Motor Assembly (White Roller Stator) for Breakdown)	
	1001104851		SN 0300135648 to SN 0300138358 (See Swing Motor Assembly (Parker) for Breakdown)	
4		2	Bolt 1/2in-13NC Options:	
	0681814		Prior to SN 0300099082 (Hex Bolt 1 7/8in Length Grade 8)	
	0681816		SN 0300099082 to SN 03000135648 (Hex Bolt 2in Length Grade 8)	
	3931832		SN 0300135648 to SN 0300138358 (Socket Head Capscrew)	
5	4740171	2	Washer, Hardened	
6		16	Bolt Options:	
	0682036		Bolt 5/8in-11NC x 4-1/2in (Grade 8)	
	0682040		Bolt 5/8in-11NC x 5in (Grade 8)	
7	Use 4892000	32	Washer, Hardened (was p/n 4740393)	
8	3020036	AR	Lube	
9	3020029	AR	Grease	
10	0100019	AR	Compound, Locking	
11	0682036	16	Bolt 5/8in-11NC x 4-1/2in (Grade 8)	
12 to 200	Not Used			
	0259005	Ref	REMOTE BEARING LUBE INSTALLATIONS	A
201	0641624	1	Bolt 3/16in-16NC x 3in	
202	0902520	1	Bracket	
203	2160002	1	Fitting, Grease	
204	2180344	1	Fitting, Bulkhead	
205	2220001	1	Fitting, Straight	
206	2220124	1	Fitting, Elbow	
207	2750529	1	Hose	
208	3311605	1	Locknut 3/8in-16NC	
209	4751600	2	Flatwasher 3/8in Regular	

SECTION 2 TURNTABLE

FIGURE 2-5. SWING BEARING ASSEMBLY



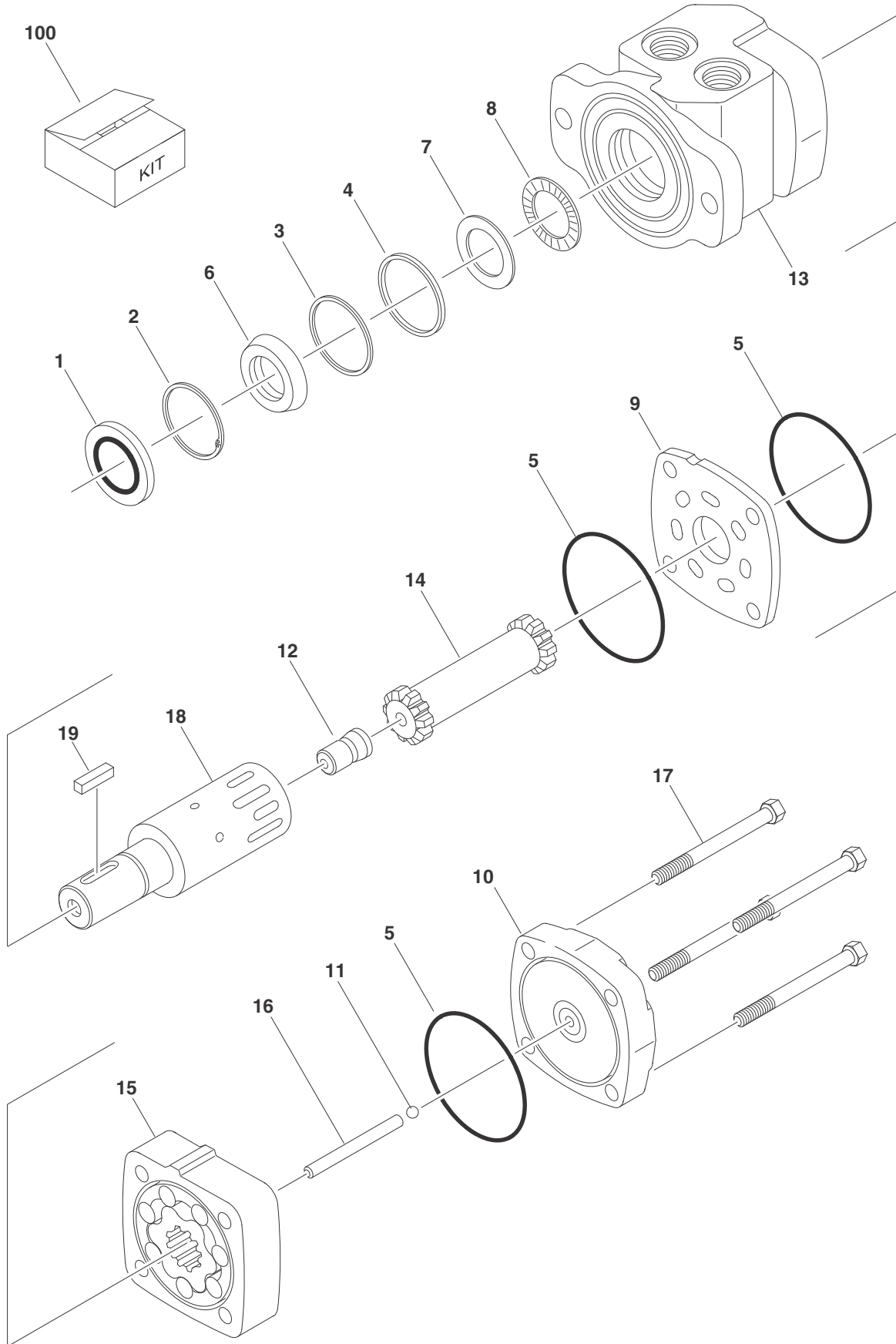
SECTION 2 TURNTABLE

FIGURE 2-5. SWING BEARING ASSEMBLY

ITEM #	PART NUMBER	QTY.	DESCRIPTION	REV.
		Ref	Note: Original Equipment Swing Bearing may have been replaced with Service Replacement Swing Bearing. Visually identify component before ordering parts.	
	0440202	Ref	SWING BEARING ASSEMBLY (ORIGINAL EQUIPMENT)	E
		Ref	Note: Items 1-6 are the only service components available.	
1	7012584	1	Bearing, Turntable	
2	7012585	1	Swing Rotation Box Assembly	
2A	7012654	1	Seal, Outer - Capped End (1.75 OD)	
	7016676	1	Seal, Outer - Capped End (2.063 OD)	
2B	7012655	1	Seal, Outer - Motor End	
2C	7016682	1	Shims Kit	
2D	7023484	1	Cap, End	
2E	7027730	2	Seal, Inner	
3	3931414	2	Bolt, Socket Head 1/4"-20NC	
4	4761400	2	Lockwasher 1/4"	
5		AR	Fitting Options:	
	2160001		Fitting, Grease	
	See Note		Plug (Note: Not Available for Purchase)	
6	See Note	2	Fitting, Grease (Note: See Previous Figure for Components)	
	0440338	Ref	SWING BEARING ASSEMBLY (SERVICE REPLACEMENT)	C
101	7026042	2	Cup, Bearing	
	7026043	2	Cone, Bearing	
102	7027356	1	Adapter, Motor	
103	7027361	2	Seal	
104	7027354	1	Cap, End	
105	70000864	2	Bolt, 1/4in-20 x 1-1/8in	
106	0641812	2	Bolt, 1/2in-13 x 1-1/2in	
107	70000865	1	Plug	
108	7027360	1	Seal	
109	See Note	2	Fitting, Grease (Note: See Previous Figure for Components)	
110	7027358	2	Fitting, Grease	
111	Use 0440338	1	Housing (Note: Not Available for Purchase)	
112	4891400	2	Flatwasher, 1/4in Hardened	
113	70000866	1	Gear, Worm	
114	Use 1001104629	1	Ring Gear Kit (was p/n 70000867) (Kit Includes Ring Gear & Mounting Hardware)	
115	7027352	AR	Gasket, .010 (Brown)	
116	7027351	AR	Gasket, .0075 (Clear)	
117	7027350	AR	Gasket, .005 (Blue)	
118	7027353	1	Gasket, .020 (Yellow)	

SECTION 2 TURNTABLE

FIGURE 2-6. SWING MOTOR ASSEMBLY (WHITE ROLLER STATOR)



SECTION 2 TURNTABLE

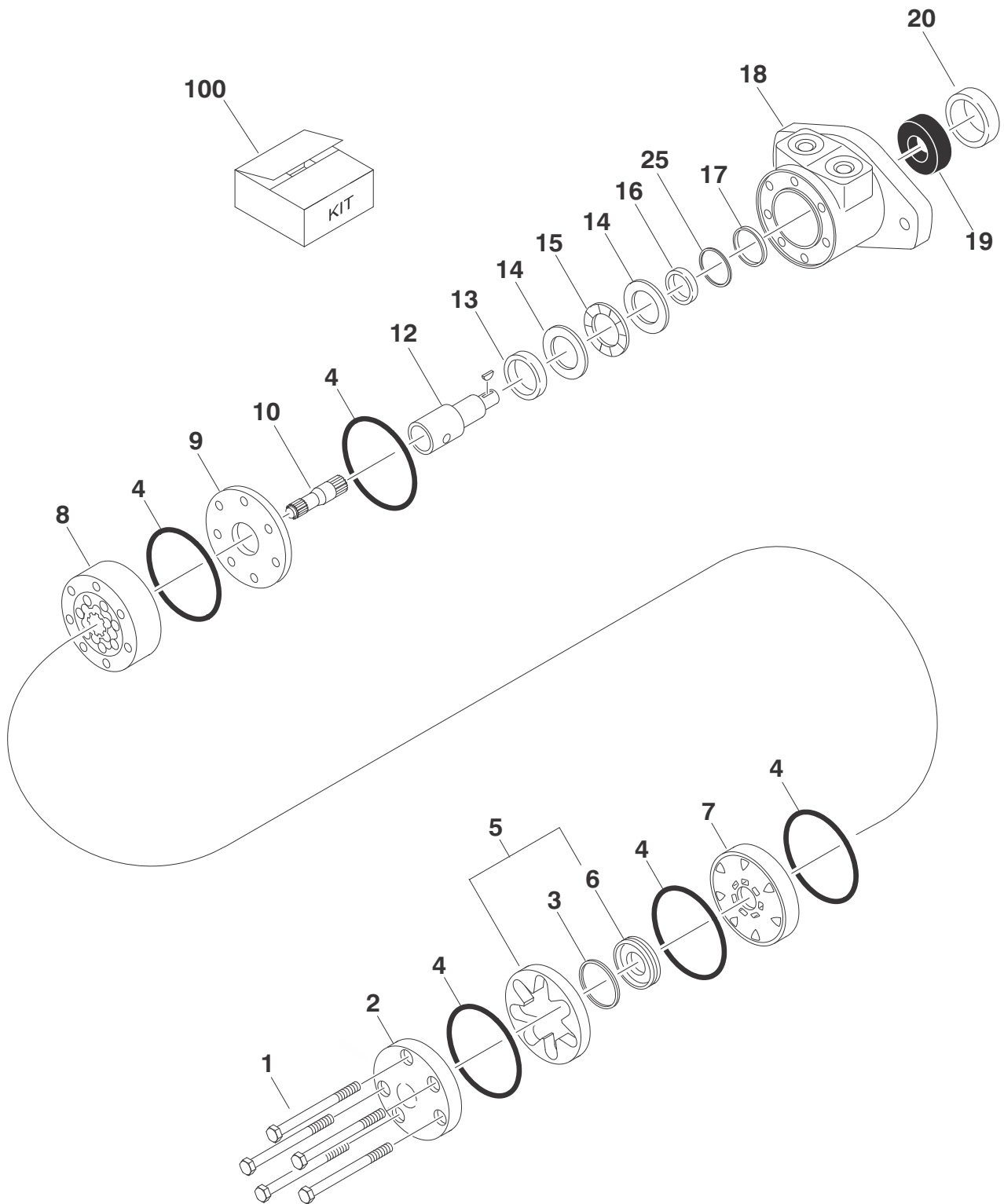
FIGURE 2-6. SWING MOTOR ASSEMBLY (WHITE ROLLER STATOR)

ITEM #	PART NUMBER	QTY.	DESCRIPTION	REV.
	3160182	Ref	SWING MOTOR ASSEMBLY	D
1	Use 7005881	1	Seal, Dust	
2	Use 7005881	1	Ring, Retainer	
3	Use 7005881	1	Shim, Back-Up	
4	Use 7005881	1	Seal, Housing	
5	Use 7005881	3	Seal, Body	
6	Use 7005881	1	Seal, Shaft	
	Use 7005881	1	Ring, Teflon Back-up	
	Use 7005881	1	Shim, Back-Up	
7	7016417	1	Thrustwasher	
8	7005809	1	Bearing, Thrust	
9	7005812	1	Plate, Wear	
10	7005874	1	Cover, End	
11	See Note	AR	Ball (Part of Item 10) (Note: Not Available for Purchase)	
12	7005876	1	Plug, Cooling	
13	7005804	1	Housing	
14	7005811	1	Link, Drive	
15	7005877	1	Rotor Set Assembly	
16	7005878	AR	Pin, Drive Link	
17	7005821	4	Bolt	
18	7005879	1	Shaft	
19	7005880	1	Key	

100	7005881	1	Seal Kit (Includes Items 1-6)	

SECTION 2 TURNTABLE

FIGURE 2-7. SWING MOTOR ASSEMBLY (PARKER)



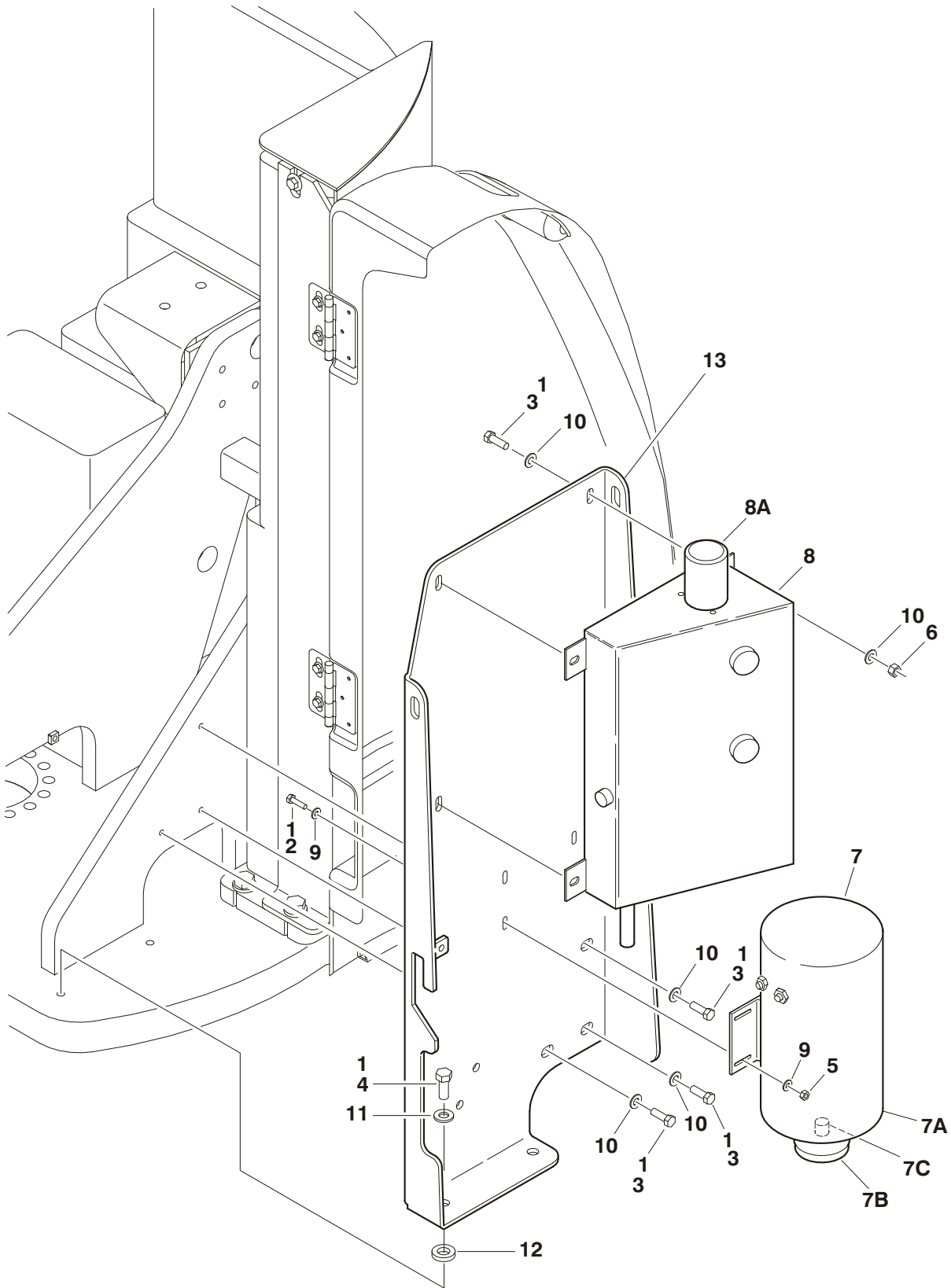
SECTION 2 TURNTABLE

FIGURE 2-7. SWING MOTOR ASSEMBLY (PARKER)

ITEM #	PART NUMBER	QTY.	DESCRIPTION	REV.
	1001104851	Ref	SWING MOTOR ASSEMBLY (PARKER)	A
1	70002243	5	Bolt	
2	7004035	1	Cover, End	
3	Use 7024389	1	Seal, Commutator	
4	Use 7024389	5	Seal, Ring	
5	7024453	1	Commutator and Ring Assembly	
6	Use 7024453	1	Ring	
7	7024379	1	Manifold	
8	70002208	1	Rotor Set	
9	7024380	1	Plate, Wear	
10	83304150	1	Link, Drive	
11	Not Used			
12	70000088	1	Shaft, Coupling	
	70000089	1	Key, Woodruff	
13	7024381	1	Bushing, Bronze	
14	7004043	2	Thrustwasher	
15	7004044	1	Bearing, Thrust	
16	Use 7024389	1	Seal, Inner	
17	Use 7024389	1	Washer, Back-up	
18	Use 1001104851	1	Housing (Note: Not Available for Purchase)	
19	7024390	1	Bearing	
20	Use 7024389	1	Seal	
21 to 24	Not Used			
25	Use 7024389	1	Washer, Backup	
100	7024389	1	Seal Kit (Includes Items 3, 4, 16, 17, 20 & 25)	

SECTION 2 TURNTABLE

FIGURE 2-8. PUMP, MOTOR AND TANK INSTALLATION



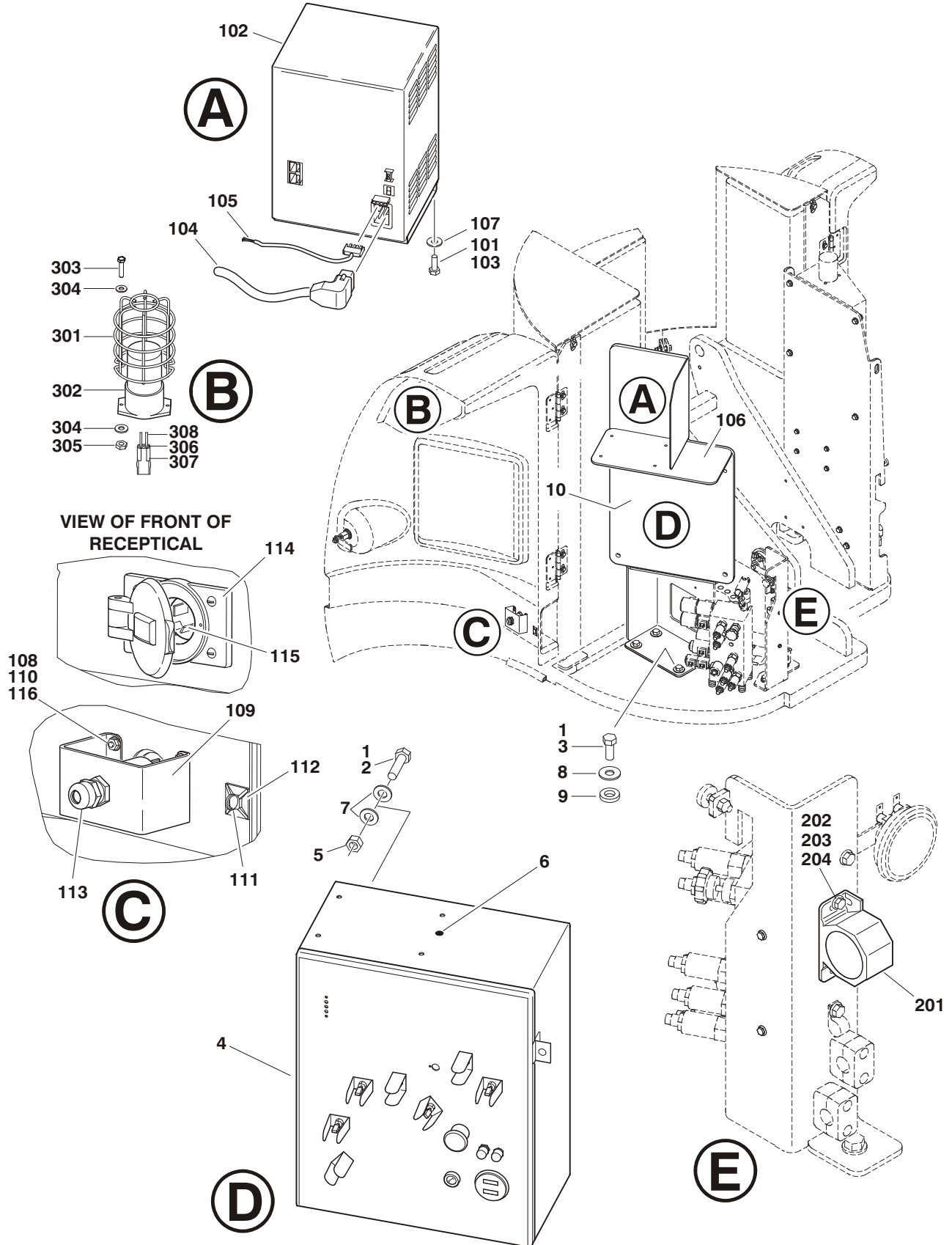
SECTION 2 TURNTABLE

FIGURE 2-8. PUMP, MOTOR AND TANK INSTALLATION

ITEM #	PART NUMBER	QTY.	DESCRIPTION	REV.
		Ref	PUMP, MOTOR AND TANK INSTALLATION OPTIONS:	
	0258983	Ref	ANSI Spec	G
	0258983	Ref	UL Spec (Prior to SN 0300035281)	G
	0270375	Ref	UL Spec (SN 0300035281 to SN 0300138358)	B
1	0100011	AR	Compound, Locking	
2	0641408	4	Bolt 1/4in-20NC x 1in	
3	0641609	7	Bolt 3/8in-16NC x 1-1/8in	
4	0641810	2	Bolt 1/2in-13NC x 1-1/4in	
5	3311401	4	Nut 1/4in-20NC	
6	3311601	4	Nut 3/8in-16NC	
7	Use 3600302	1	Pump/Motor Assembly (was p/n 3600289)	
7A		1	Motor Assembly Options:	
	7021318		(Prior to SN 0300047082)	
	7021360		(SN 0300047082 to SN 0300138358)	
		1	Brush Kit Options:	
	7021368		(Prior to SN 0300047082)	
	7021361		(SN 0300047082 to SN 0300138358)	
	7022526	1	Seal, Shaft	
7B	7021319	1	Pump Assembly	
	7021377	1	Seal Kit	
7C	7021367	1	Coupling	
8	4400419	1	Tank, Hydraulic	
8A	7021320	1	Cap	
9		8	Flatwasher Options:	
	4711400		Prior to SN 0300100059 (Thin)	
	4751400		SN 0300100059 to SN 0300138358 (Regular)	
10	4711600	AR	Flatwasher 3/8in Thin	
11		2	Flatwasher 1/2in Thin Options:	
	Use 4891800		(Prior to SN 0300055743) (was p/n 4711800 - Thin)	
	4891800		(SN 0300055743 to SN 0300138358) (Hardened)	
12	4740393	13	Flatwasher Special	
13	4846022	1	Plate, Mounting	
14 to 16	Not Used			
17	4891600	3	Flatwasher, 3/8in Hardened (SN 0300100059 to SN 0300138358)	

SECTION 2 TURNTABLE

FIGURE 2-9. ELECTRICAL COMPONENTS INSTALLATION



SECTION 2 TURNTABLE

FIGURE 2-9. ELECTRICAL COMPONENTS INSTALLATION

ITEM #	PART NUMBER	QTY.	DESCRIPTION	REV.
		Ref	GROUND CONTROL BOX INSTALLATIONS	
	0258958	Ref	E300A	C
	0259002	Ref	E300AJ	E
	0259247	Ref	E300AJP	D
1	0100011	AR	Compound, Locking	
2	0641510	6	Bolt 5/16in-18NC x 1-1/4in	
3	0641810	4	Bolt 1/2in-13NC x 1-1/4in	
4			Ground Control Box Assemblies Options (See Ground Control Box Assembly for Breakdown):	
	0861265	1	E300A	
		1	E300AJ	
	0861268		Prior to SN 0300099776	
	1810128		SN 0300099776 to SN 0300138358	
		1	E300AJP	
	0861290		Prior to SN 0300099776	
	1810131		SN 0300099776 to SN 0300138358	
5	3311501	6	Nut 5/16in-18NC	
6	3520028	1	Plug, Hole	
7	4711500	12	Flatwasher 5/16in Thin	
8	4711800	4	Flatwasher 1/2in Thin	
9	4740393	4	Flatwasher, Special	
10	4845964	1	Support	
		Ref	BATTERY CHARGER INSTALLATIONS	
	0259046	Ref	110V/60Hz (ANSI Spec)	G
	0259047	Ref	110-230V/50-60Hz (ANSI Export Spec Option)	C
	0259048	Ref	250V/50Hz (ANSI Export Spec Option)	C
	0259049	Ref	100V/50-60Hz (Japanese Spec)	E
101	0100011	AR	Compound, Locking	
102		1	Battery Charger Assembly Options (See Battery Charger Assembly for Breakdown):	
	0400188		110V/60Hz (ANSI Spec)	
	0400190		110-230V/50-60Hz (ANSI Export Spec Option)	
	0400191		250V/50Hz (ANSI Export Spec Option)	
	0400189		100V/50-60Hz (Japanese Spec)	
103	0641406	4	Bolt 1/4in-20NC x 3/4in	
104		1	Cable, Battery Options:	
	1060751		110V/60Hz (ANSI Spec)	
	1060759		110-230V/50-60Hz (ANSI Export Spec Option)	
	1060759		250V/50Hz (ANSI Export Spec Option)	
	1060751		100V/50-60Hz (Japanese Spec)	
105	1060753	1	Cable, Remote	
106	3571492	1	Plate, Mounting	
107	4751400	4	Flatwasher 1/4in Regular	
108	3311005	4	Locknut #10-24NC	

SECTION 2 TURNTABLE

FIGURE 2-9. ELECTRICAL COMPONENTS INSTALLATION (CONTINUED)

ITEM #	PART NUMBER	QTY.	DESCRIPTION	REV.
109		AR	Plate, Mounting Options:	
	Not Required	0	110V/60Hz (ANSI Spec)	
	3571584	1	110-230V/50-60Hz (ANSI Export Spec Option)	
	3571584	1	250V/50Hz (ANSI Export Spec Option)	
	Not Required	0	100V/50-60Hz (Japanese Spec)	
110	3911016	4	Screw #10-24NC x 1in	
111	4240032	1	Tie, Wire	
112	4460234	1	Tie-Strap	
113		AR	Connector, Strain Relief Options:	
	Not Required	0	110V/60Hz (ANSI Spec)	
	4460428	1	110-230V/50-60Hz (ANSI Export Spec Option)	
	4460428	1	250V/50Hz (ANSI Export Spec Option)	
	Not Required	0	100V/50-60Hz (Japanese Spec)	
114	4460802	1	Terminal and Cover	
115		1	Plug Options:	
	4460803		110V/60Hz (ANSI Spec)	
	See Note		110-230V/50-60Hz (ANSI Export Spec Option) (Note: Not Available - Purchase Locally)	
	4460805		250V/50Hz (ANSI Export Spec Option)	
	4460803		100V/50-60Hz (Japanese Spec)	
116	4751000	4	Flatwasher #10 Regular	
		Ref	ALARM INSTALLATIONS	
	0259041	Ref	All Specs except Japanese	A
	0259415	Ref	Japanese Specs	A
201		1	Alarm, Motion Options:	
	0140031		All Specs except Japanese	
	0140033		Japanese Specs	
202	0641406	2	Bolt 1/4in-20NC x 3/4in	
203	3311405	2	Locknut 1/4in-20NC	
204	4711400	4	Flatwasher 1/4in Thin	
	0259043	Ref	STROBE LIGHT INSTALLATION (AMBER) (OPTIONAL)	B
		Ref	Note: If machine is equipped with BLUE Strobe Light, see Section 10 SkyGuard Kit.	
301	4060865	1	Guard, Strobe	
302	2920146	1	Light, Strobe	
	7016319	1	Bulb, Light	
	7016372	1	Lens	
303	0721008	2	Bolt #10-24NC x 1in	
304	3311005	2	Locknut #10-24NC	
305	4751000	4	Flatwasher #10 Regular	
306	4460424	1	Terminal, 2 Position	
307	4460226	2	Socket Contact	
308	2820035	.33ft/.1m	1/4 Expandable Loom	

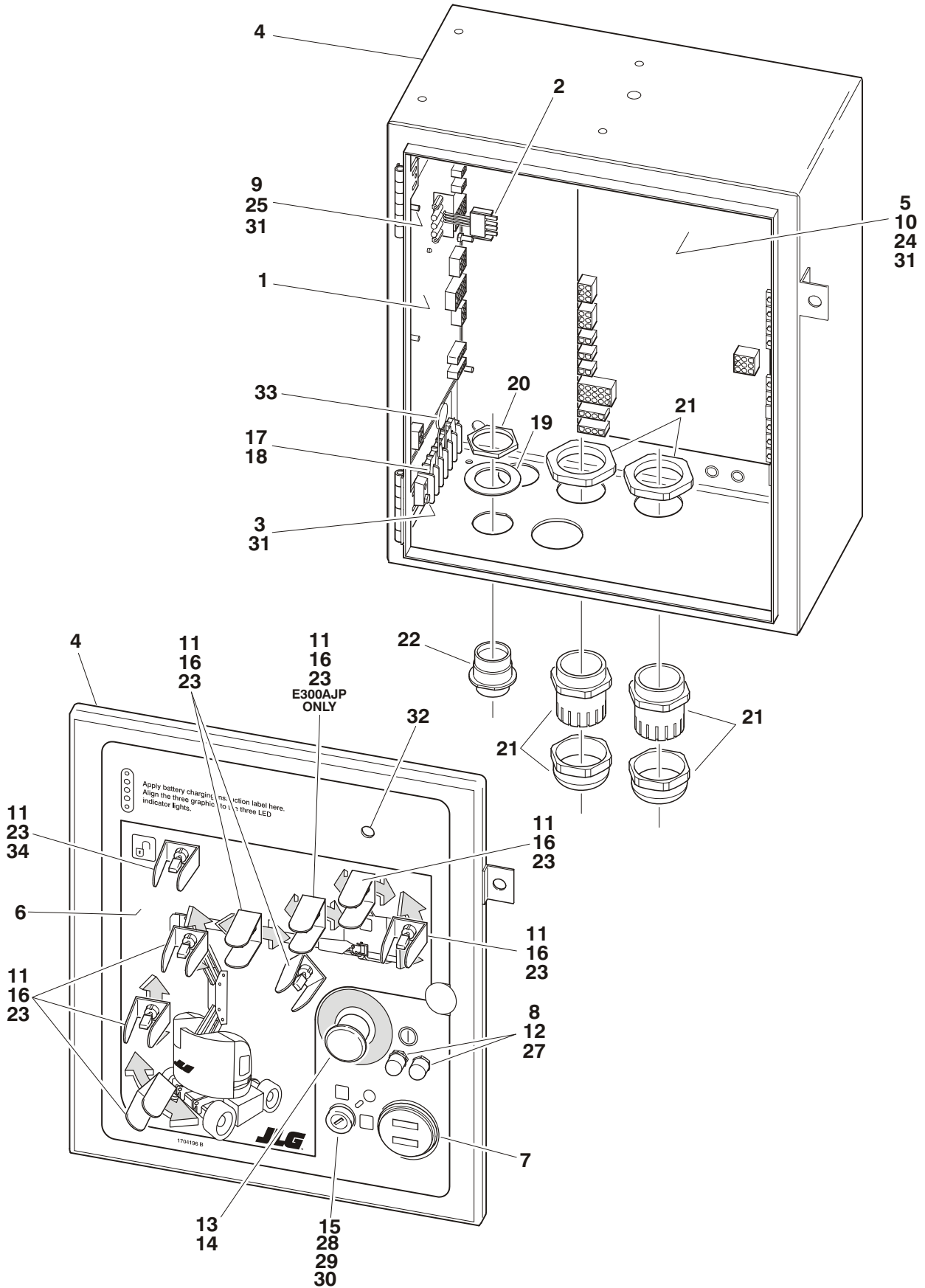
SECTION 2 TURNTABLE

FIGURE 2-9. ELECTRICAL COMPONENTS INSTALLATION (CONTINUED)

ITEM #	PART NUMBER	QTY.	DESCRIPTION	REV.

SECTION 2 TURNTABLE

FIGURE 2-10. GROUND CONTROL BOX ASSEMBLY



SECTION 2 TURNTABLE

FIGURE 2-10. GROUND CONTROL BOX ASSEMBLY

ITEM #	PART NUMBER	QTY.	DESCRIPTION	REV.
		Ref	GROUND CONTROL BOX ASSEMBLIES	
		Ref	E300A	
	0861265	Ref	Prior to SN 0300099776	I
	1810128	Ref	SN 0300099776 to SN 0300138358	C
	0861268	Ref	E300AJ	H
		Ref	E300AJP	
	0861290	Ref	Prior to SN 0300099776	I
	1810131	Ref	SN 0300099776 to SN 0300138358	C
1		1	Module, Control Options: Prior to SN 0300059838 (was p/n 0610129) SN 0300059838 to SN 0300072454 (was p/n 0610139) SN 0300072454 to SN 0300138358 (was p/n 0610166)	
	Use 1001109497			
	Use 1001109497			
	Use 1001109497			
2	0610131	1	LED, Battery Charger	
3	0731005	1	Bolt #10-24NC x 5/8in	
4	0861253	1	Box	
5	1600292	1	Module, Power	
6		1	Decal Options: E300A E300AJ E300AJP Prior to SN 0300099776 (was p/n 1704197) SN 0300099776 to SN 0300138358 E300AJP Prior to SN 0300099776 (was p/n 1704266) SN 0300099776 to SN 0300138358	
	1704196			
	Use 1705737			
	1707012			
	Use 1705738			
	1706934			
7	2420106	1	Gauge	
8	3300396	2	Cover	
9	3310601	6	Nut #6-32NC	
10	3311501	4	Locknut 5/16in-18NC	
11	4060906	AR	Guard, Switch	
12	4360070	2	Breaker, Circuit-10AMP	
13	4360476	AR	Contact E300A E300AJ & E300AJP	
		2		
		1		
14	4360475	1	Switch, Emergency Stop	
	7020175	1	Mushroom Head	
	7020176	1	Contact	
15	4360469	1	Keyswitch	
	2860030	AR	Key, Replacement (Set of 2) (was p/n 7020174)	
16	4360328	AR	Switch, Toggle	
17	4460007	1	Bar, Buss	
18	4460264	2	Jumper	
19	4460496	1	Lockwasher, Terminal	
20	4460497	1	Nut, Terminal	
21	4460526	2	Connector, Strain Relief	
22	4460752	1	Connector - 14 Position	
23	4740420	AR	Washer, O-Ring	
24	4711500	4	Flatwasher 5/16in Thin	
25	4760600	6	Lockwasher #6	

SECTION 2 TURNTABLE

FIGURE 2-10. GROUND CONTROL BOX ASSEMBLY (CONTINUED)

ITEM #	PART NUMBER	QTY.	DESCRIPTION	REV.
26	Not Used			
27	3790012	2	O-Ring	
28	3910804	6	Bolt #8-32NC x 1/4in	
29	4070987	1	Spacer, Plastic	
30	4070991	1	Spacer, Plastic	
31	0100035	AR	Compound, Locking	
32	3520028	1	Plug (SN 0300075534 to SN 0300138358)	
33	3990106	1	Limiter, Inrush	
34	4360330	1	Switch, Toggle (SN 0300099776 to SN 0300138358)	

SECTION 2 TURNTABLE

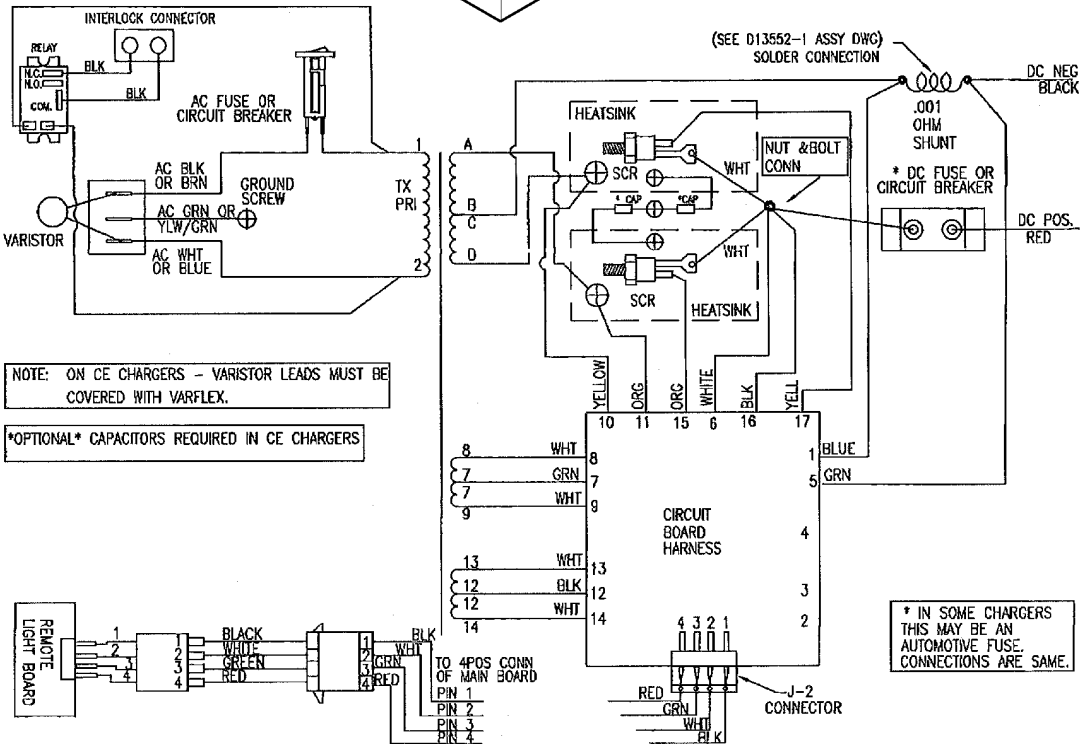
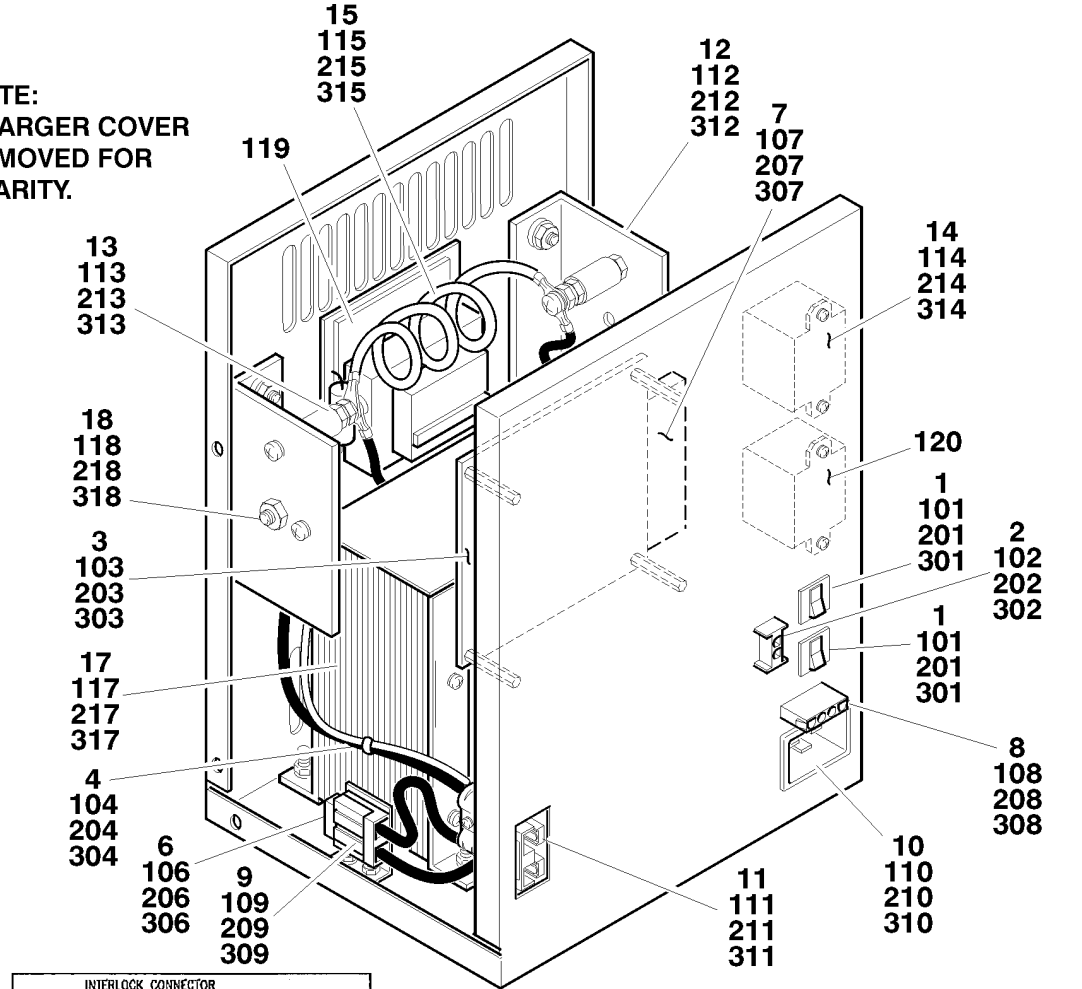
FIGURE 2-10. GROUND CONTROL BOX ASSEMBLY (CONTINUED)

ITEM #	PART NUMBER	QTY.	DESCRIPTION	REV.

SECTION 2 TURNTABLE

FIGURE 2-11. BATTERY CHARGER ASSEMBLY

NOTE:
CHARGER COVER
REMOVED FOR
CLARITY.



SECTION 2 TURNTABLE

FIGURE 2-11. BATTERY CHARGER ASSEMBLY

ITEM #	PART NUMBER	QTY.	DESCRIPTION	REV.
		Ref	BATTERY CHARGER ASSEMBLIES	
	0400188	Ref	110V/60Hz (ANSI Spec)	C
1	7020642	1	Breaker, Circuit - 20 Amp	
2	7011621	1	Connector - 2 Position	
3	Use 7022924	1	PC Board (was p/n 7020643 or p/n 7022906)	
4		1	DC Cord Options:	
	7020644		Use with 80 or 50 Amp Automotive Fuse	
	7022910		Use with 45 Amp Fuse	
5	7018571	1	Holder, Fuse (Not Shown)	
6		1	Fuse - DC Options:	
	7018570		80 Amp (Automotive Fuse)	
	7020690		50 Amp (Automotive Fuse)	
	7011593		45 Amp	
7	7020645	1	Harness - 17 Position	
8	7020646	1	Harness - 4 Position	
9		1	Fuse Holder Options:	
	7018571		80 Amp (Automotive Fuse)	
	7020691		50 Amp (Automotive Fuse)	
	7011594		45 Amp	
10	7020648	1	Plug, AC Inlet	
11	7011590	1	Plug, DC	
12	7020649	2	Rectifier, Replacement	
13	7020650	2	SCR, Replacement	
14	7018506	1	Relay	
15	7020651	1	Shunt Assembly	
16	7011529	2	Connector, Strain Relief (Not Shown)	
17	7020652	1	Transformer	
18	7020603	1	Varistor	
	0400190	Ref	110-230V/50-60Hz (ANSI Export Spec Option)	B
101	7020653	2	Breaker, Circuit - 10 Amp	
102	7011621	1	Connector - 2 Position	
103	Use 7022924	1	PC Board (was p/n 7020643)	
104	7020644	1	Cord, DC	
105	7018571	1	Holder, Fuse (Not Shown)	
106	7018570	1	Fuse - 80 DC Amp	
107	7020645	1	Harness - 17 Position	
108	7020646	1	Harness - 4 Position	
109	7018571	1	Holder, Fuse	
110	7020648	1	Plug, AC Inlet	
111	7011590	1	Plug, DC	
112	7020649	2	Rectifier, Replacement	
113	7020650	2	SCR, Replacement	
114	7020654	1	Relay	
115	7020651	1	Shunt Assembly	
116	7011529	2	Connector, Strain Relief (Not Shown)	

SECTION 2 TURNTABLE

FIGURE 2-11. BATTERY CHARGER ASSEMBLY (CONTINUED)

ITEM #	PART NUMBER	QTY.	DESCRIPTION	REV.
117	7020662	1	Transformer	
118	7018537	1	Varistor	
119	7020640	1	Controller - AC	
120	7018564	1	Relay	
	0400191	Ref	250V/50Hz (ANSI Export Spec Option)	C
201	7020653	2	Breaker, Circuit - 10 Amp	
202	7011621	1	Connector - 2 Position	
203	Use 7022924	1	PC Board (was p/n 7020643 or p/n 7022906)	
204		1	DC Cord Options:	
	7020644		Use with 80 or 50 Amp Automotive Fuse	
	7022910		Use with 45 Amp Fuse	
205	7018571	1	Holder, Fuse (Not Shown)	
206		1	Fuse - DC Options:	
	7018570		80 Amp (Automotive Fuse)	
	7020690		50 Amp (Automotive Fuse)	
	7011593		45 Amp	
207	7020645	1	Harness - 17 Position	
208	7020646	1	Harness - 4 Position	
209		1	Fuse Holder Options:	
	7018571		80 Amp (Automotive Fuse)	
	7020691		50 Amp (Automotive Fuse)	
	7011594		45 Amp	
210	7020648	1	Plug, AC Inlet	
211	7011590	1	Plug, DC	
212	7020649	2	Rectifier, Replacement	
213	7020650	2	SCR, Replacement	
214	7018535	1	Relay	
215	7020651	1	Shunt Assembly	
216	7011529	2	Connector, Strain Relief (Not Shown)	
217	7020683	1	Transformer	
218	7018537	1	Varistor	
	0400189	Ref	100V/50-60Hz (Japanese Spec)	B
301	7020642	1	Breaker, Circuit - 20 Amp	
302	7011621	1	Connector - 2 Position	
303	7020689	1	PC Board	
304	7020644	1	Cord, DC	
305	7020690	1	Holder, Fuse (Not Shown)	
306	7020691	1	Fuse - 80 DC Amp	
307	7020692	1	Harness - 17 Position	
308	7020693	1	Harness - 4 Position	
309	7018571	1	Holder, Fuse	
310	7020648	1	Plug, AC Inlet	
311	7011590	1	Plug, DC	
312	7020649	2	Rectifier, Replacement	
313	7020650	2	SCR, Replacement	

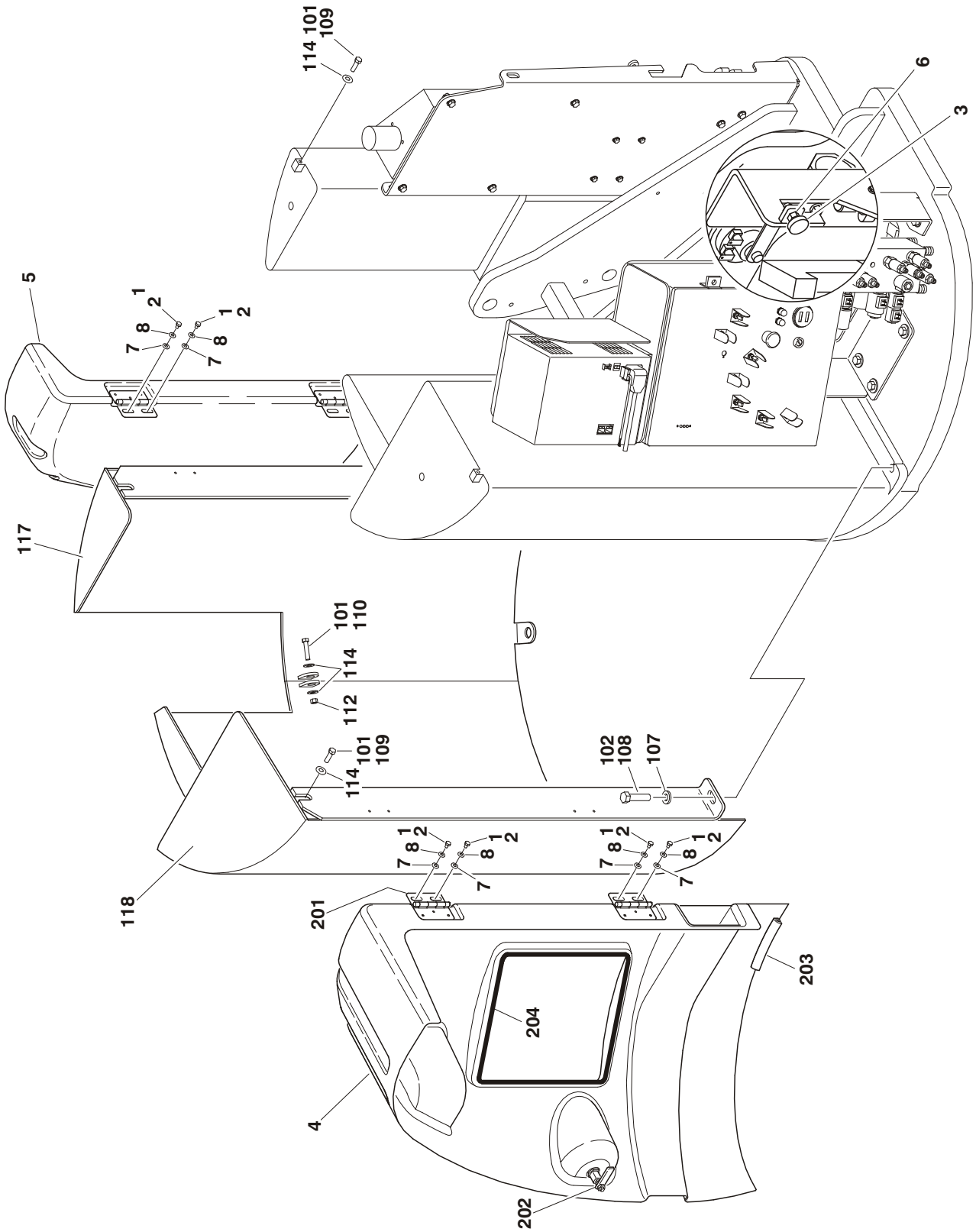
SECTION 2 TURNTABLE

FIGURE 2-11. BATTERY CHARGER ASSEMBLY (CONTINUED)

ITEM #	PART NUMBER	QTY.	DESCRIPTION	REV.
314	7018506	1	Relay	
315	7020651	1	Shunt Assembly	
316	7011529	2	Connector, Strain Relief (Not Shown)	
317	7020694	1	Transformer	
318	7020603	1	Varistor	

SECTION 2 TURNTABLE

FIGURE 2-12. HOODS INSTALLATIONS



SECTION 2 TURNTABLE

FIGURE 2-12. HOODS INSTALLATIONS

ITEM #	PART NUMBER	QTY.	DESCRIPTION	REV.
	0258982	Ref	HOODS INSTALLATION	C
1	0100011	AR	Compound, Locking	
2	0641404	8	Bolt 1/4in-20NC x 1/2in	
3	0940049	2	Stopper, Hood	
4	2680456	1	Hood Assembly (Left Side) (See Items 201-204 for Breakdown)	
5	2680457	1	Hood Assembly (Right Side) (See Items 201-204 for Breakdown)	
6	3311501	4	Nut 5/16in-18NC	
7	4751400	8	Flatwasher 1/4in Regular	
8	4761400	8	Lockwasher 1/4in	
	0259126	Ref	COUNTERWEIGHT COVERS INSTALLATIONS	F
101	0100011	AR	Compound, Locking	
102	0682020	AR	Bolt 5/8in-16NC x 2-1/2in (Grade 8)	
103 to 106	Not Used			
107	4740393	AR	Flatwasher, Special 5/8in	
108	0100019	AR	Compound, Locking	
109	0641610	2	Bolt 3/8in-16NC x 1-1/4in	
110	0641614	1	Bolt 3/8in-16NC x 1-3/4in	
111	Not Used			
112	3271601	1	Nut 3/8in-16NC	
113	4891800	1	Flatwasher 1/2in Hardened (Not Shown)	
114	4751600	4	Flatwasher 3/8in Regular	
115 to 116	Not Used			
117	4845998	1	Cover, Counterweight (Right Side)	
118	4846019	1	Cover, Counterweight (Left Side)	
			HOOD ASSEMBLIES	
	2680456	Ref	Left Side	L
	2680457	Ref	Right Side	I
		Ref	Note: Replacement Decals Must Be Ordered Separately - See Section 8.	
201	2600258	4	Hinge (2 Per Assembly)	
202		2	Latch (1 Per Assembly) Options:	
	2940117		Non-Lockable	
	7027858		Lockable	
203	3960514	AR	Seal Options:	
		30in/76cm	Left Side	
		22in/55cm	Right Side	
204		AR	Seal Options:	
	3960418	35in/90cm	Left Side	
	Not Required	0	Right Side	

SECTION 2 TURNTABLE

FIGURE 2-12. HOODS INSTALLATIONS (CONTINUED)

ITEM #	PART NUMBER	QTY.	DESCRIPTION	REV.

SECTION 3 BOOM

SECTION 3 BOOM

FIGURE 3-1. BOOM INSTALLATION - E300A

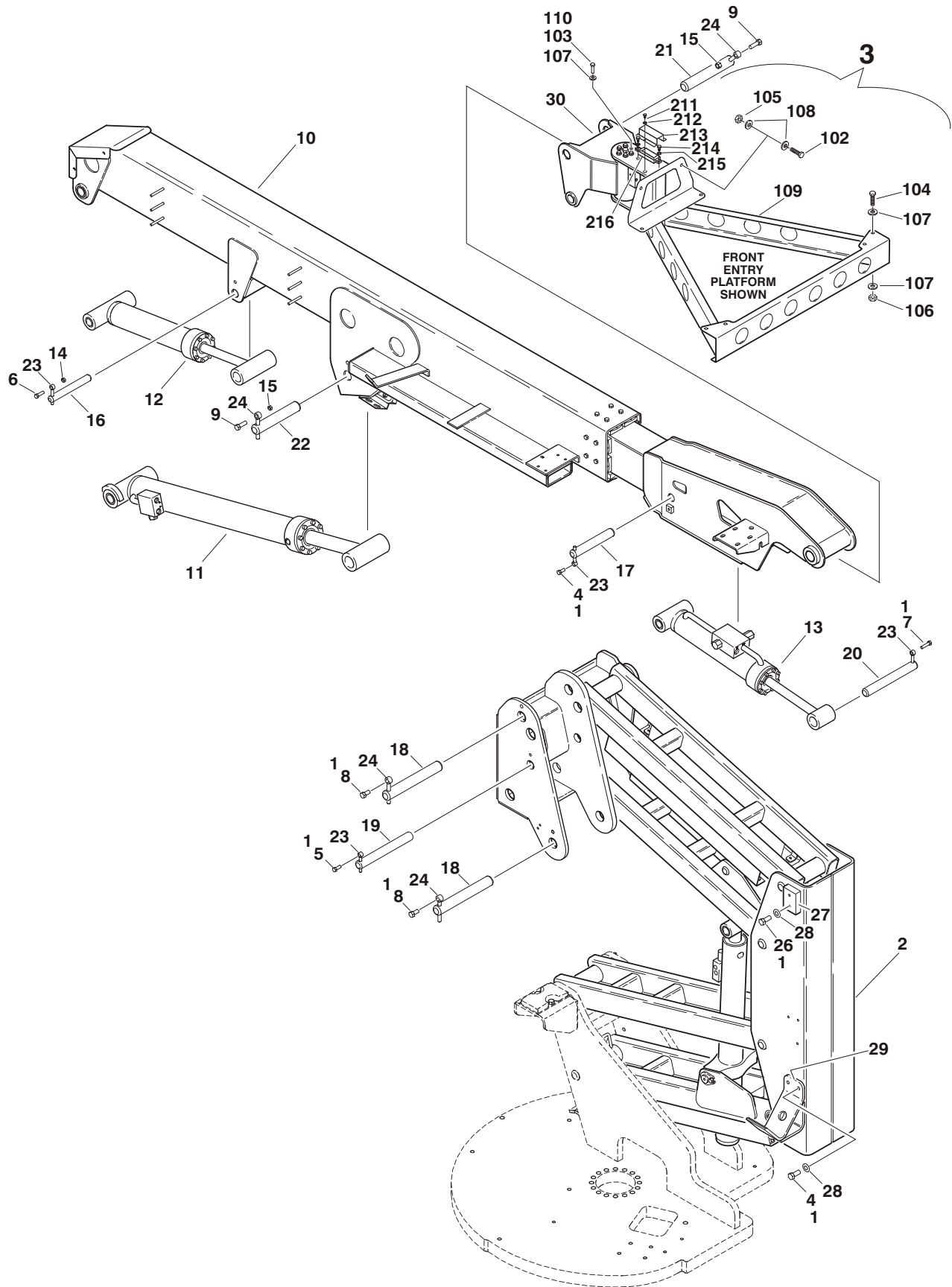


FIGURE 3-1. BOOM INSTALLATION - E300A

ITEM #	PART NUMBER	QTY.	DESCRIPTION	REV.
		Ref	BOOM INSTALLATION	
	0258979	Ref	E300A	H
1	0100011	AR	Compound, Locking	
2	0258962	1	Tower Boom Assembly (See Tower Boom Assembly for Breakdown)	
3		1	Support & Rotator Assembly (See Items 101 to 110 for Breakdown)	
4	0641407	2	Bolt 3/8in-16NC x 7/8in	
5	Use 0681608	6	Bolt 3/8in-16NC x 1in (Prior to SN 0300056245 was p/n 0641608)	
6	0641610	6	Bolt 3/8in-16NC x 1-1/4in	
7	0641609	1	Bolt 3/8in-16NC x 1-1/8in	
8	0641808	2	Bolt 1/2in-13NC x 1in	
9	0641812	1	Bolt 1/2in-13NC x 1-1/2in	
10	0801174	1	Main Boom Assembly (See Main Boom Assembly for Breakdown)	
11	1683750	1	Main Boom Lift Cylinder Assembly (See Section 5 for Breakdown)	
12	Use 1684065	1	Master Cylinder Assembly (Prior to SN 0300059743 was p/n 1683757) (See Section 5 for Breakdown)	
13	Use 1001140279	2	Platform Level Cylinder Assembly (Prior to SN 0300059743 was p/n 1683760 & 1683924) (See Section 5 for Breakdown)	
14	3311605	2	Locknut 3/8in-16NC	
15	3311805	2	Locknut 1/2in-13NC	
16		1	Pin Options: Prior to SN 0300071032 (was p/n 3422799) SN 0300071032 to SN 0300138358	
	Use 3422582			
	3422582			
17	3422669	1	Pin	
18	3422787	2	Pin	
19	3422790	1	Pin	
20	3422792	1	Pin	
21	3422793	1	Pin	
22	3422796	1	Pin	
23	3841143	4	Keeper, Pin 3/8in	
24	3841203	4	Keeper, Pin 1/2in	
25	0641810	1	Bolt 1/2in-13NC X 1-1/4in	
26	0641606	2	Bolt 3/8in-16NC x 3/4in	
27	3340854	1	Pad	
28	4711600	5	Flatwasher, 3/8in Thin	
29	4846031	1	Boom Rest	
30	0060043	1	Rotator Assembly (See Platform Rotator Assemblies for Breakdown)	
		Ref	SUPPORT AND ROTATOR ASSEMBLY	
	0259439	Ref	Front Entry Platform	E
	0272976	Ref	Side Entry Platform	A
101	Not Used			
102	0641407	2	Bolt 1/4in-20NC x 7/8in (Front Entry Platform Only)	

SECTION 3 BOOM

FIGURE 3-1. BOOM INSTALLATION - E300A (CONTINUED)

ITEM #	PART NUMBER	QTY.	DESCRIPTION	REV.
103	Use 0681608	AR	Bolt 3/8in-16NC x 1in (was p/n 0641608)	
104	0641610	6	Bolt 3/8in-16NC x 1-1/4in	
105	3311405	2	Locknut 1/4in-20NC (Front Entry Platform Only)	
106	3311605	AR	Locknut 3/8in-16NC	
107	4711600	18	Flatwasher 3/8in Thin	
108	4740362	4	Flatwasher, Special 1/4in (Front Entry Platform Only)	
109		1	Support Weldment Options:	
	Use 4846322		Front Entry Platform (was p/n 4846050)	
	4846608		Side Entry Platform	
110	0100011	AR	Compound, Locking	
	0259358	Ref	BPE OVERLOAD INSTALLATION (FRONT ENTRY PLATFORM ONLY)	D
211	0641404	2	Bolt 1/4in - 20NC x 1/2in	
212	4711400	2	Flatwasher 1/4in Thin	
213	1670905	1	Cover, Load Cell	
214	0701010	2	Bolt (Metric) M10 x 20mm	
215		2	Lockwasher Options:	
	4761700		Prior to SN 0300062855	
	4812000		SN 0300062855 to SN 0300138358	
216	3990108	1	Load Cell, Load Device 100mm	

FIGURE 3-1. BOOM INSTALLATION - E300A (CONTINUED)

ITEM #	PART NUMBER	QTY.	DESCRIPTION	REV.

SECTION 3 BOOM

FIGURE 3-2. BOOM INSTALLATION - E300AJ

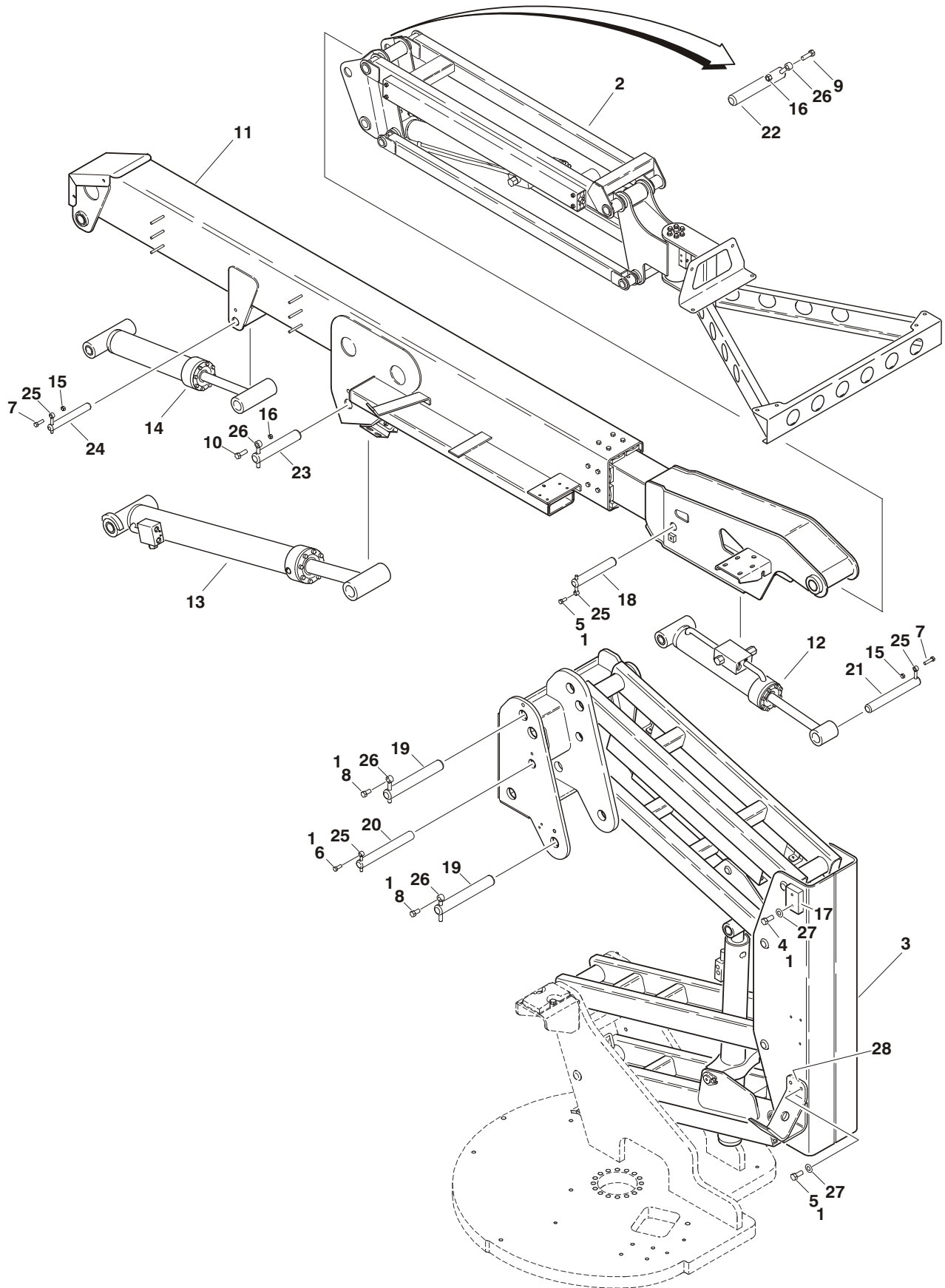


FIGURE 3-2. BOOM INSTALLATION - E300AJ

ITEM #	PART NUMBER	QTY.	DESCRIPTION	REV.
		Ref	BOOM INSTALLATION	
	0258980	Ref	E300AJ	G
1	0100011	AR	Compound, Locking	
2		1	Jib Assembly Options: (See Jib Assemblies (E300AJ & E300AJP) for Breakdown)	
	0259440		Prior to SN 0300063766	
	0270400		SN 0300063766 to SN 0300138358	
3	0259204	1	Tower Boom Assembly (See Tower Boom Assembly for Breakdown)	
4	0641606	2	Bolt 3/8in-16NC x 3/4in	
5	0641607	4	Bolt 3/8in-16NC x 7/8in	
6	0641608	1	Bolt 3/8in-16NC x 1in	
7	0641610	2	Bolt 3/8in-16NC x 1-1/4in	
8	0641808	2	Bolt 1/2in-13NC x 1in	
9	0641810	1	Bolt 1/2in-13NC x 1-1/4in	
10	0641812	2	Bolt 1/2in-13NC x 1-1/2in	
11	0801177	1	Main Boom Assembly (See Main Boom Assembly for Breakdown)	
12	Use 1683924	1	Platform Level Cylinder Assembly (Prior to SN 0300059743 was p/n 1683760) (See Section 5 for Breakdown)	
13	1683762	1	Main Boom Lift Cylinder Assembly (See Section 5 for Breakdown)	
14	Use 1001140278	1	Master Cylinder Assembly (Prior to SN 0300059743 was p/n 1683773 & 1683923) (See Section 5 for Breakdown)	
15	3311605	2	Locknut 3/8in-16NC	
16	3311805	2	Locknut 1/2in-13NC	
17	3340854	1	Pad	
18	3422669	1	Pin	
19	3422787	2	Pin	
20	3422790	1	Pin	
21	3422792	1	Pin	
22	3422793	1	Pin	
23	3422796	1	Pin	
24	Use 3422582	1	Pin (was p/n 3422799)	
25	3841143	4	Keeper, Pin	
26	3841203	4	Keeper, Pin 1/2in	
27	4711600	5	Flatwasher 3/8in Thin	
28	4846031	1	Boom Rest	

SECTION 3 BOOM

FIGURE 3-3. BOOM INSTALLATION - E300AJP

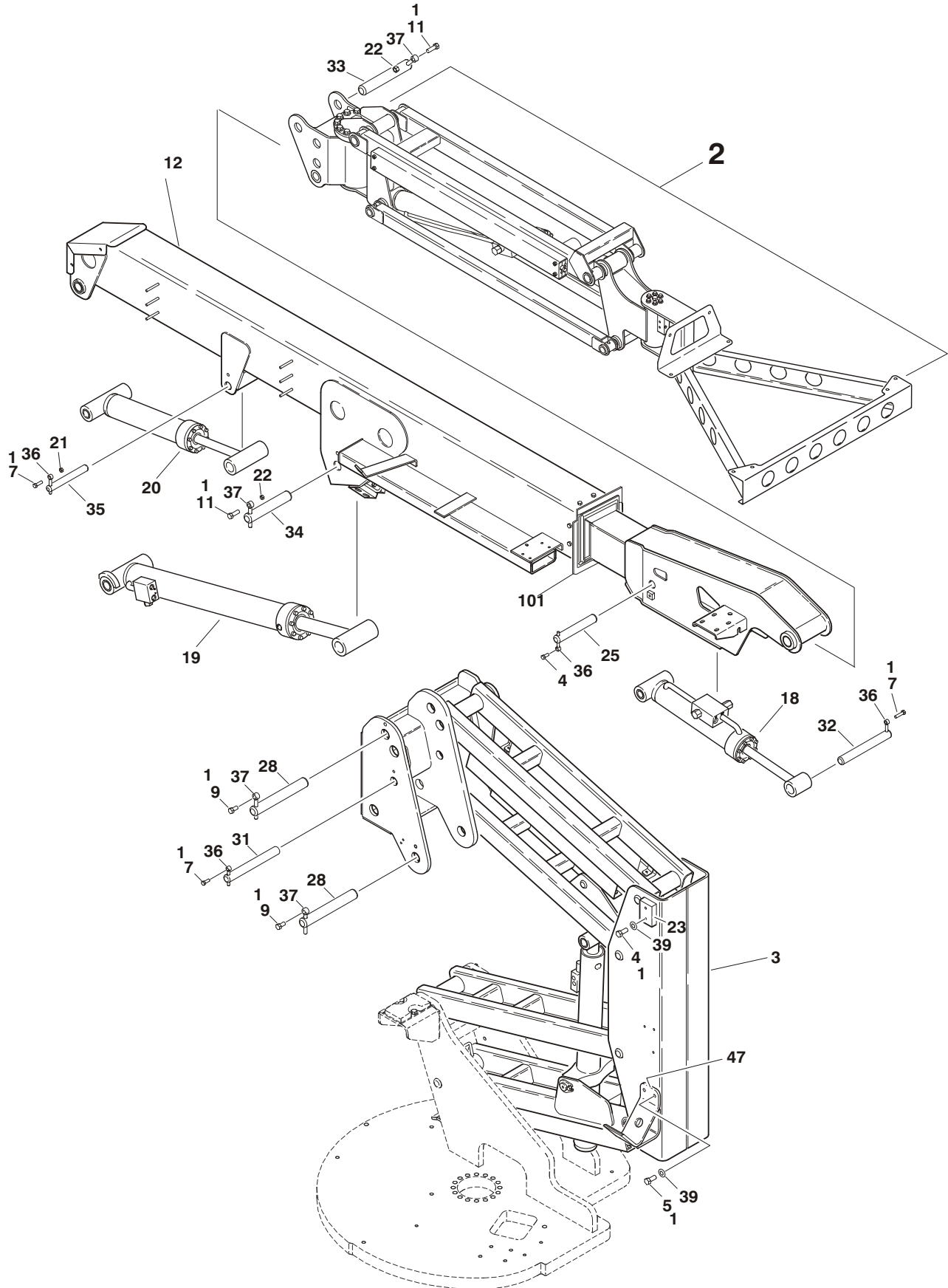


FIGURE 3-3. BOOM INSTALLATION - E300AJP

ITEM #	PART NUMBER	QTY.	DESCRIPTION	REV.
		Ref	BOOM INSTALLATION	
	0259480	Ref	E300AJP (Prior to SN 0300064982)	E
	0271648	Ref	E300AJP (SN 0300064982 to SN 0300138358)	D
1	0100011	AR	Compound, Locking	
2		1	Jib Assembly Options: (See Jib Assemblies for Breakdown)	
	0259441		Prior to SN 0300063766	
	0270402		SN 0300063766 to SN 0300064982	
	0271649		SN 0300064982 to SN 0300138358	
3	See Note	1	Tower Boom Assembly (See Tower Boom Assembly for Breakdown) (Note: Not Available as a Complete Assembly. Must Purchase Individual Parts)	
4	0641606	2	Bolt 3/8in-16NC x 3/4in	
5	0641607	3	Bolt 3/8in-16NC x 7/8in	
6	Not Used			
7	0641610	3	Bolt 3/8in-16NC x 1-1/4in (Prior to SN 0300056245 Only)	
8	Not Used			
9	0641808	2	Bolt 1/2in-13NC x 1in	
10	Not Used			
11	0641812	2	Bolt 1/2in-13NC x 1-1/2in	
12		1	Main Boom Assembly Options (See Main Boom Assembly for Breakdown):	
	0801203		Prior to SN 0300049988	
	0801222		SN 0300049988 to SN 0300138358	
13 to 17	Not Used			
18	Use 1683924	1	Platform Level Cylinder Assembly (Prior to SN 0300059743 was p/n 1683760) (See Section 5 for Breakdown)	
19	1683762	1	Main Boom Lift Cylinder Assembly (See Section 5 for Breakdown)	
20	Use 1001140278	1	Master Cylinder Assembly (Prior to SN 0300059743 was p/n 1683773 & 1683923) (See Section 5 for Breakdown)	
21	3311605	6	Locknut 3/8in-16NC	
22	3311805	2	Locknut 1/2in-13NC	
23	3340854	1	Pad	
24	Not Used			
25	3422669	1	Pin	
26 to 27	Not Used			
28	3422787	2	Pin	
29 to 30	Not Used			
31	3422790	1	Pin	
32	3422792	1	Pin	
33	3422814	1	Pin	
34	3422796	1	Pin	
35	Use 3422582	1	Pin (was p/n 3422799)	
36	3841143	4	Keeper, Pin	
37	3841203	4	Keeper, Pin 1/2in	
38	Not Used			
39	4711600	4	Flatwasher 3/8in Thin (Prior to SN 0300056245 Only)	
40 to 46	Not Used			

SECTION 3 BOOM

FIGURE 3-3. BOOM INSTALLATION - E300AJP (CONTINUED)

ITEM #	PART NUMBER	QTY.	DESCRIPTION	REV.
47	4846031	1	Boom Rest	
	0270704	Ref	BOOM WIPER COVER INSTALLATION	A
101	1670976	1	Cover, Boom Wiper	

FIGURE 3-3. BOOM INSTALLATION - E300AJP (CONTINUED)

ITEM #	PART NUMBER	QTY.	DESCRIPTION	REV.

SECTION 3 BOOM

FIGURE 3-4. TOWER BOOM ASSEMBLY

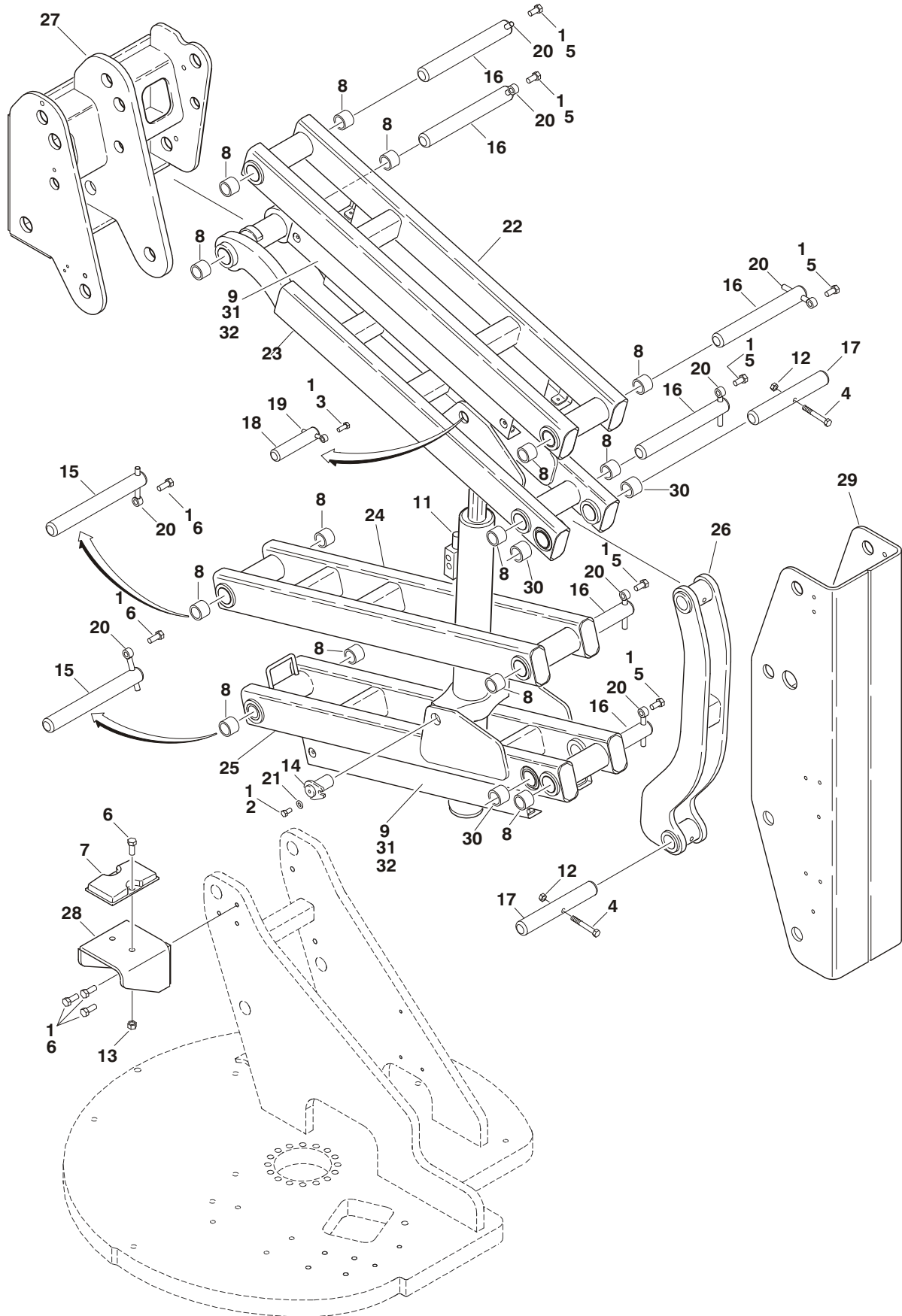


FIGURE 3-4. TOWER BOOM ASSEMBLY

ITEM #	PART NUMBER	QTY.	DESCRIPTION	REV.
		Ref	TOWER BOOM ASSEMBLY	
	0258962	Ref	E300A	F
	0259204	Ref	E300AJ	H
	See Note	Ref	E300AJP (Note: Not Available as a Complete Assembly. Must Purchase Individual Parts)	A
1	0100011	AR	Compound, Locking	
2	0641606	2	Bolt 3/8in-16NC x 3/4in	
3	0641608	1	Bolt 3/8in-16NC x 1in	
4	0641622	2	Bolt 3/8in-16NC x 2-3/4in	
5	0641808	6	Bolt 1/2in-13NC x 1in	
6	0641810	7	Bolt 1/2in-13NC x 1-1/4in	
7	0940048	1	Bumper	
8	0961948	16	Bearing, Garmax	
9	1271433	4	Channel	
10	Not Used			
11	1683719	1	Tower Lift Cylinder Assembly (See Section 5 for Breakdown)	
12	3311605	2	Locknut 3/8in-16NC	
13	3311805	2	Locknut 1/2in-13NC	
14	3422424	2	Pin	
15	3422785	2	Pin	
16	3422786	6	Pin	
17	3422788	2	Pin	
18	3422789	1	Pin	
19	3841143	1	Keeper, Pin 3/8in	
20	3841203	8	Keeper, Pin 1/2in	
21	4711600	2	Flatwasher 3/8in Thin	
22	4845940	1	Link, Mid	
23		1	Boom, Mid Options:	
	4845941		E300A & E300AJ	
	4846083		E300AJP	
24	4845942	1	Link, Lower	
25	4845943	1	Boom, Lower	
26		1	Link, Timing Options:	
	Use 1001097487		Link Prior to SN 0300136291 (was p/n 4845944)	
	1001097487		Link SN 0300136291 to SN 0300138358	
27		1	Upright, Upper Options:	
	4845921		E300A	
	4845963		E300AJ & E300AJP (Prior to SN 0300053753 Only)	
	4846272		E300AJ & E300AJP (SN 0300053753 to SN 0300138358)	
28	4845968	1	Rest, Boom	
29		1	Upright, Lower Options:	
	4845972		Prior to SN 0300132771	
	1001103639		SN 0300132771 to SN 0300138358	
30	0962259	4	Bearing, Garmax	
31	0641403	12	Bolt 1/4in-20NC x 3/8in	
32	4711400	12	Flatwasher 1/4in Thin	

SECTION 3 BOOM

FIGURE 3-5. MAIN BOOM ASSEMBLY

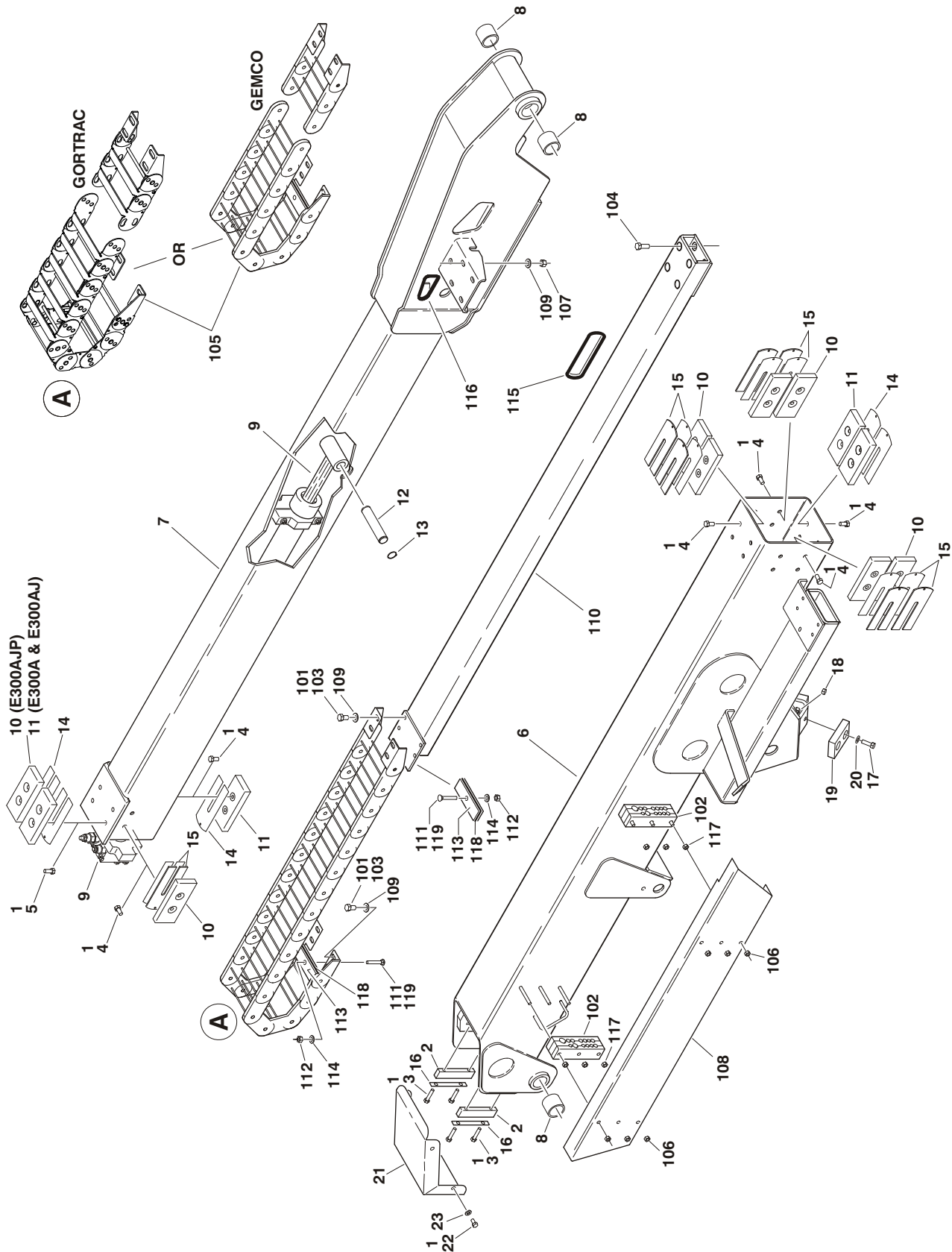


FIGURE 3-5. MAIN BOOM ASSEMBLY

ITEM #	PART NUMBER	QTY.	DESCRIPTION	REV.
		Ref	MAIN BOOM ASSEMBLY	
	0801174	Ref	E300A	E
	0801177	Ref	E300AJ	E
	0801203	Ref	E300AJP (Prior to SN 0300049988)	B
	0801222	Ref	E300AJP (SN 0300049988 to SN 0300138358)	F
1	0100011	AR	Compound, Locking	
2	0561350	2	Block, Telescope Attach	
3	0641512	4	Bolt 5/16in-18NC x 1-1/2in	
4	0641606	AR	Bolt 3/8in-16NC x 3/4in	
5	0641607	4	Bolt 3/8in-16NC x 7/8in	
6		1	Boom, Base Options:	
	0801181		E300A	
	0801179		E300AJ	
	0801205		E300AJP Prior to SN 0300049988	
	0801220		E300AJP SN 0300049988 to SN 0300138358	
7		1	Boom, Fly Options:	
	0801182		E300A	
	0801178		E300AJ	
	0801204		E300AJP Prior to SN 0300049988	
	0801221		E300AJP SN 0300049988 to SN 0300138358	
8	0961948	4	Bearing, Composite	
9		1	Telescope Cylinder Assembly Options (See Section 5 for Breakdown):	
	1683784		E300A	
	1683793		E300AJ	
	1683864		E300AJP	
10		AR	Pad Options:	
		10	E300A & E300AJ	
	3340756		Prior to SN 0300063766	
	3340881		SN 0300063766 to SN 0300138358	
	3340862	12	E300AJP	
11		AR	Pad Options:	
	3340837	5	E300A & E300AJ	
	3340863	4	E300AJP	
12	3422745	1	Pin	
13	3760115	2	Ring, Retaining	
14	4070897	AR	Shim 18 Ga	
15	4070898	AR	Shim 11 Ga	
16	4070982	2	Shim 16 Ga	
17	0641609	4	Bolt 3/8in-16NC x 1-1/8in	
18	3311605	4	Locknut 3/8in-16NC	
19	3340853	2	Pad, Boom Rest	
20	4711600	1	Flatwasher 3/8in Thin	
21	1670901	1	Boom Cover	
22	0641504	4	Bolt 5/16in-18NC x 1/2in	
23	4711500	4	Flatwasher 5/16in Thin	

SECTION 3 BOOM

FIGURE 3-5. MAIN BOOM ASSEMBLY (CONTINUED)

ITEM #	PART NUMBER	QTY.	DESCRIPTION	REV.
		Ref	POWER TRACK ASSEMBLY	
	0259243	Ref	E300A	I
	0259244	Ref	E300AJ & E300AJP	J
101	0100011	AR	Compound, Locking	
102	1320260	2	Block, Clamp	
103	0641605	8	Bolt 3/8in-16NC x 5/8in	
104	0641608	4	Bolt 3/8in-16NC x 1in	
105		1	Power Track Options:	
		Ref	Note: Original Power Track may have been replaced with a Service Replacement. Visually identify the power track before ordering parts.	
	Use 1001099833	1	E300A (was p/n 1180352)	
	Use 1001099834	1	E300AJ & E300AJP (was p/n 1180353)	
			Gemco Brand (Original Equipment) Parts:	
	7006139	AR	1ft Section for 1180352 & 1180353 Power Tracks (Includes 1ft. Section, 4 Rod Carriers, Pins & Mounting Slugs)	
	7006151	2Pr.	Mounting Feet for 1180352 & 1180353 Power Tracks (Includes Left & Right Mounting Feet & 2 Round Spacers)	
	7006152	AR	Pin Kit for 1180352 & 1180353 Power Tracks (Includes 1 Pin, 4 Washers & 1 Retaining Ring)	
			Gortrac Brand (Service Replacement) Parts:	
	70001996	AR	Repair Section for 1001099833 & 1001099834 Power Tracks	
	70001998	2Pr.	Mounting Bracket Kit for 1001099833 & 1001099834 Power Tracks	
106	3311501	6	Nut 5/16in-18NC	
107	3311605	4	Locknut 3/8in-16NC	
108	3571472	1	Shield	
109	4711600	12	Flatwasher 3/8in Thin	
110	4846007	1	Cover, Hose	
111	0630401	2	Bolt, Carriage 5/16in-18NC x 2in	
112	3311505	2	Locknut 5/16in-18NC	
113	3570958	2	Plate, Clamp	
114	4711500	2	Flatwasher 5/16in Thin	
115		AR	Trim, Flex Options:	
	4060803	AR	Trim, Flex 1/8in (Prior to SN 0300074274)	
	4060804	AR	Trim, Flex 3/16in (SN 0300074274 to SN 0300138358)	
116	4060805	AR	Trim, Flex 1/4in (Prior to SN 0300057115 Only)	
117	3311502	6	Nut, Jam 5/16in-18NC	
118		2	Pad, Rubber Options:	
	3340859		Prior to SN 0300073801	
	3340940		SN 0300073801 to SN 0300138358	
119	0100081	AR	Adhesive	

FIGURE 3-5. MAIN BOOM ASSEMBLY (CONTINUED)

ITEM #	PART NUMBER	QTY.	DESCRIPTION	REV.

SECTION 3 BOOM

FIGURE 3-6. JIB ASSEMBLIES (E300AJ & E300AJP)

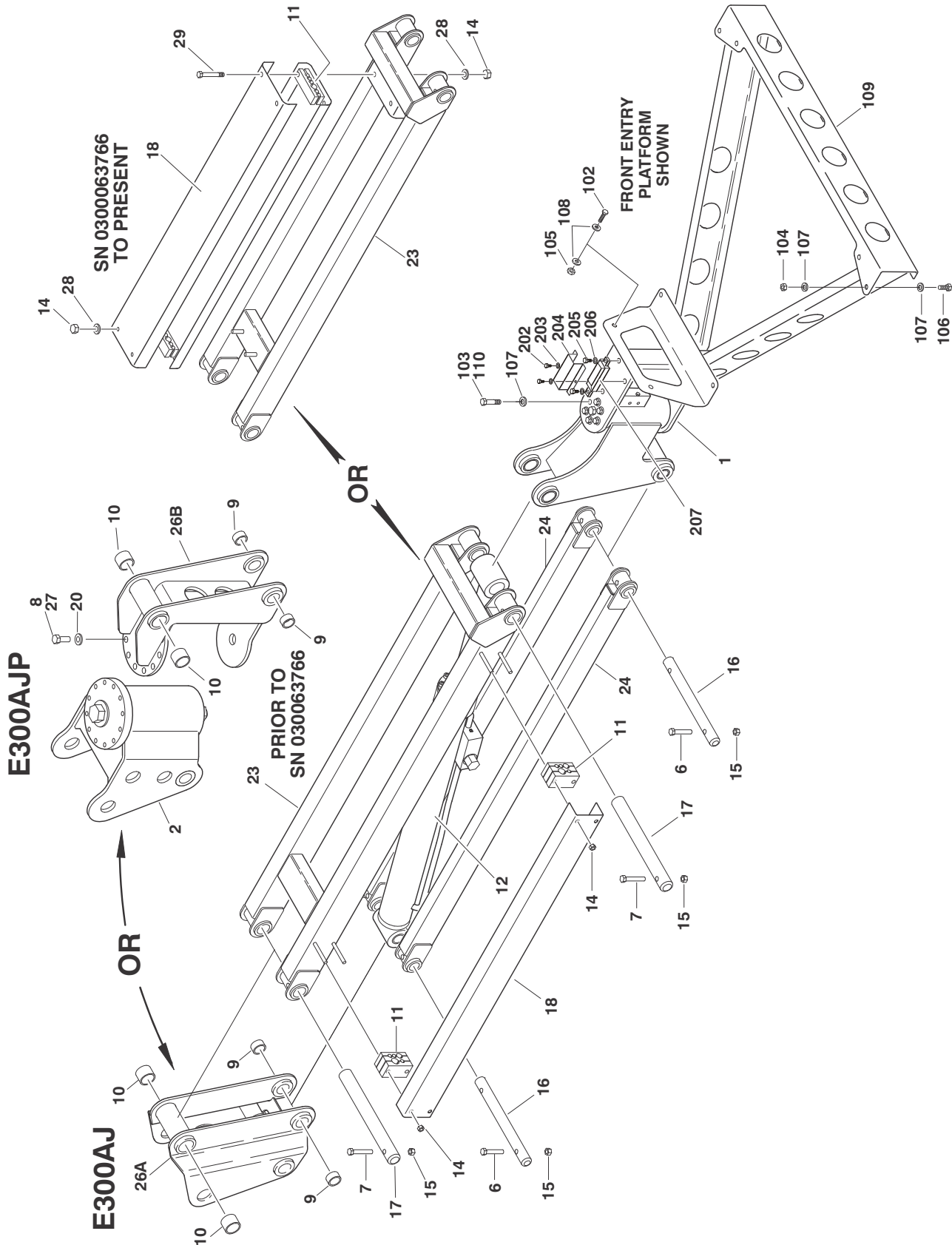


FIGURE 3-6. JIB ASSEMBLIES (E300AJ & E300AJP)

ITEM #	PART NUMBER	QTY.	DESCRIPTION	REV.
		Ref	JIB ASSEMBLY OPTIONS:	
	0259440	Ref	E300AJ (Prior to SN 0300063766)	E
	0270400	Ref	E300AJ (SN 0300063766 to SN 0300138358)	F
	0259441	Ref	E300AJP (Prior to SN 0300063766)	F
	0270402	Ref	E300AJP (SN 0300063766 to SN 0300064982)	C
	0271649	Ref	E300AJP (SN 0300064982 to SN 0300138358)	D
1	0060044	1	Rotator Assembly (See Platform Rotator Assemblies for Breakdown)	
2	Not Required 0060046 0060065	AR	Rotator Assembly Options: E300AJ E300AJP (Prior to SN 0300064982) (See Jib Swing Rotator Assembly (E300AJP Only) for Breakdown) E300AJP (SN 0300064982 to SN 0300138358) (See Jib Swing Rotator Assembly (E300AJP Only) (SN 0300064982 to SN 0300138358) for Breakdown)	
3 to 5	Not Used			
6	0641616	4	Bolt 3/8in-16NC x 2in	
7	0641618	2	Bolt 3/8in-16NC x 2-1/4in	
8		AR	Hardware Options: Bolt 1/2in-13NC x 1-1/4in (Prior to SN 0300064982) Bolt 1/2in-13NC x 1in (SN 0300064982 to SN 0300138358)	
9	0641810 3931816	2	Bushing Options: Bushing 5/8in Length Bushing 3/4in Length	
10	0961947 0962292	2	Bushing	
11	0961951	2	Bushing	
		AR	Clamp, Block Options: Prior to SN 0300063766 SN 0300063766 to SN 0300138358	
	1320259 3340860	2 4		
12	Use 1001140280	1	Jib Cylinder Assembly (was p/n 1683779) (See Section 5 for Breakdown)	
13	Not Used			
14	3311501	AR	Nut 5/16in-18NC	
15	3311605	4	Locknut 3/8in-16NC	
16	3422791	2	Pin	
17	3422794	2	Pin	
18		AR	Plate, Jib Cover Options: Prior to SN 0300063766 SN 0300063766 to SN 0300138358	
	3571406 3572551	1 2		
18	3571406	1	Plate, Jib Cover	
19	4711600	AR	Flatwasher 3/8in Thin	
20	4711800	AR	Flatwasher 1/2in Thin	
21 to 22	Not Used			
23		1	Link Options: (Upper) Prior to SN 0300063766 SN 0300063766 to SN 0300138358	
	4845926 4846278			
24	Use 1001094670	2	Link (Lower) (was p/n 4845927)	
25	Not Used			
26		1	Pivot Options: E300AJ	
26A	4845925			

SECTION 3 BOOM

FIGURE 3-6. JIB ASSEMBLIES (E300AJ & E300AJP) (CONTINUED)

ITEM #	PART NUMBER	QTY.	DESCRIPTION	REV.
26B	4846073		E300AJP Options:	
	4846502		Prior to SN 0300064982	
			SN 0300064982 to SN 0300138358	
27	0100011	AR	Compound, Locking	
28	4751500	4	Flatwasher 5/16in Regular (SN 0300063766 to SN 0300138358)	
29	0641516	2	Bolt 5/16in-18NC x 2in (SN 0300063766 to SN 0300138358)	
		Ref	SUPPORT AND ROTATOR ASSEMBLY	
	0259439	Ref	Front Entry Platform	E
	0272976	Ref	Side Entry Platform	A
101	Not Used			
102	0641407	2	Bolt 1/4in-20NC x 7/8in (Front Entry Platform Only)	
103	Use 0681608	AR	Bolt 3/8in-16NC x 1in (was p/n 0641608)	
104	0641610	6	Bolt 3/8in-16NC x 1-1/4in	
105	3311405	2	Locknut 1/4in-20NC (Front Entry Platform Only)	
106	3311605	AR	Locknut 3/8in-16NC	
107	4711600	18	Flatwasher 3/8in Thin	
108	4740362	4	Flatwasher, Special 1/4in (Front Entry Platform Only)	
109		1	Support Weldment Options:	
	Use 4846322		Front Entry Platform (was p/n 4846050)	
	4846608		Side Entry Platform	
110	0100011	AR	Compound, Locking	
	0259358	Ref	BPE OVERLOAD INSTALLATION (FRONT ENTRY PLATFORM ONLY)	D
201	Not Used			
202	0641404	2	Bolt 1/4in - 20NC x 1/2in	
203	4711400	2	Flatwasher 1/4in Thin	
204	1670905	1	Cover, Load Cell	
205	0701010	2	Bolt (Metric) M10 x 20mm	
206		2	Lockwasher Options:	
	4761700		Prior to SN 0300062855	
	4812000		SN 0300062855 to SN 0300138358	
207	3990108	1	Load Cell, Load Device 100mm	

FIGURE 3-6. JIB ASSEMBLIES (E300AJ & E300AJP) (CONTINUED)

ITEM #	PART NUMBER	QTY.	DESCRIPTION	REV.

SECTION 3 BOOM

FIGURE 3-7. PLATFORM ROTATOR ASSEMBLIES

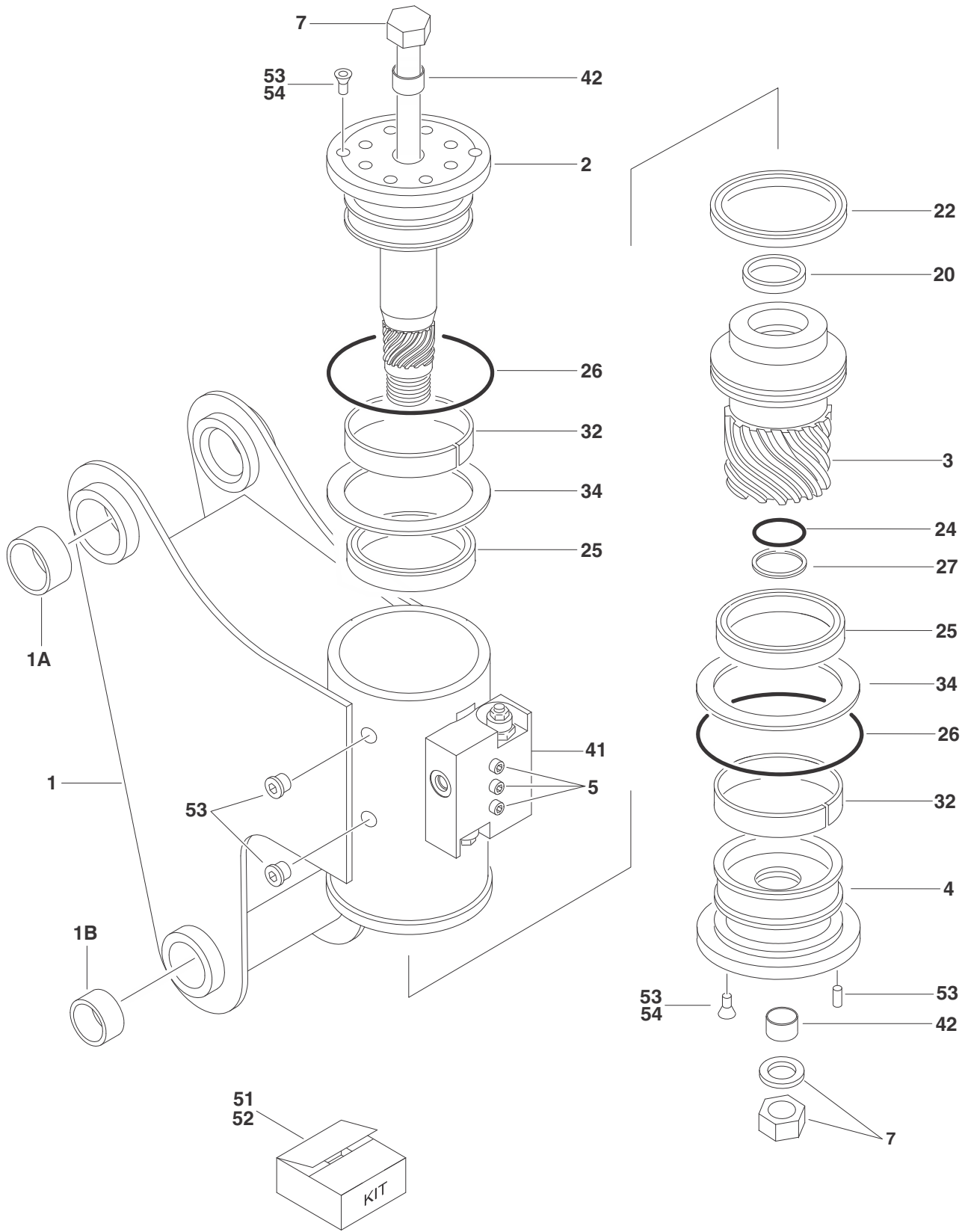


FIGURE 3-7. PLATFORM ROTATOR ASSEMBLIES

ITEM #	PART NUMBER	QTY.	DESCRIPTION	REV.
		Ref	ROTATOR ASSEMBLIES	
	0060043	Ref	E300A Platform Rotate	C
	0060044	Ref	E300AJ & E300AJP Platform Rotate	D
		Ref	Note: There are 2 different versions of Rotator p/n 0060044 & no SN break exists. Order internal parts by the Helac Control #.	
1	See Note	1	Case/Bracket Weldment (Note: Not Available - Purchase Complete Assembly)	
1A	0962257	2	Bushing, Garmax (0060044 Rotator Only)	
1B	0961947	2	Bushing, Garmax (0060044 Rotator Only)	
2		1	Shaft Options: 0060043 Rotators 0060044 Rotators with Helac Control #25928 0060044 Rotators with Helac Control #26962	
3		1	Sleeve, Piston Options: 0060043 Rotators 0060044 Rotators with Helac Control #25928 0060044 Rotators with Helac Control #26962	
4		1	Cap, End Options: 0060043 Rotators (Note: Not Available for Purchase) 0060044 Rotators with Helac Control #25928 (Note: Not Available for Purchase) 0060044 Rotators with Helac Control #26962	
5	See Note	3	Capscrew 1/4in-20NC (Grade 8) (Note: Not Available for Purchase)	
6	Not Used			
7	7017126	1	Tie Rod Assembly	
8 to 19	Not Used			
20	See Note	1	Seal, Rod (Note: Use Item 52)	
21	Not Used			
22	See Note	1	Seal, Piston (Note: Use Item 52)	
23	Not Used			
24	See Note	1	Seal, Cap (Note: Use Item 52)	
25	See Note	2	Packing, Bearing (Note: Use Item 52)	
26	See Note	2	Seal (Note: Use Item 52)	
27	See Note	1	Ring, Cap Back-Up (Note: Use Item 52)	
28 to 31	Not Used			
32	Use 7017122	2	Bearing, Shaft	
33	Not Used			
34	Use 7017122	2	Thrustwasher	
35 to 40	Not Used			

SECTION 3 BOOM

FIGURE 3-7. PLATFORM ROTATOR ASSEMBLIES (CONTINUED)

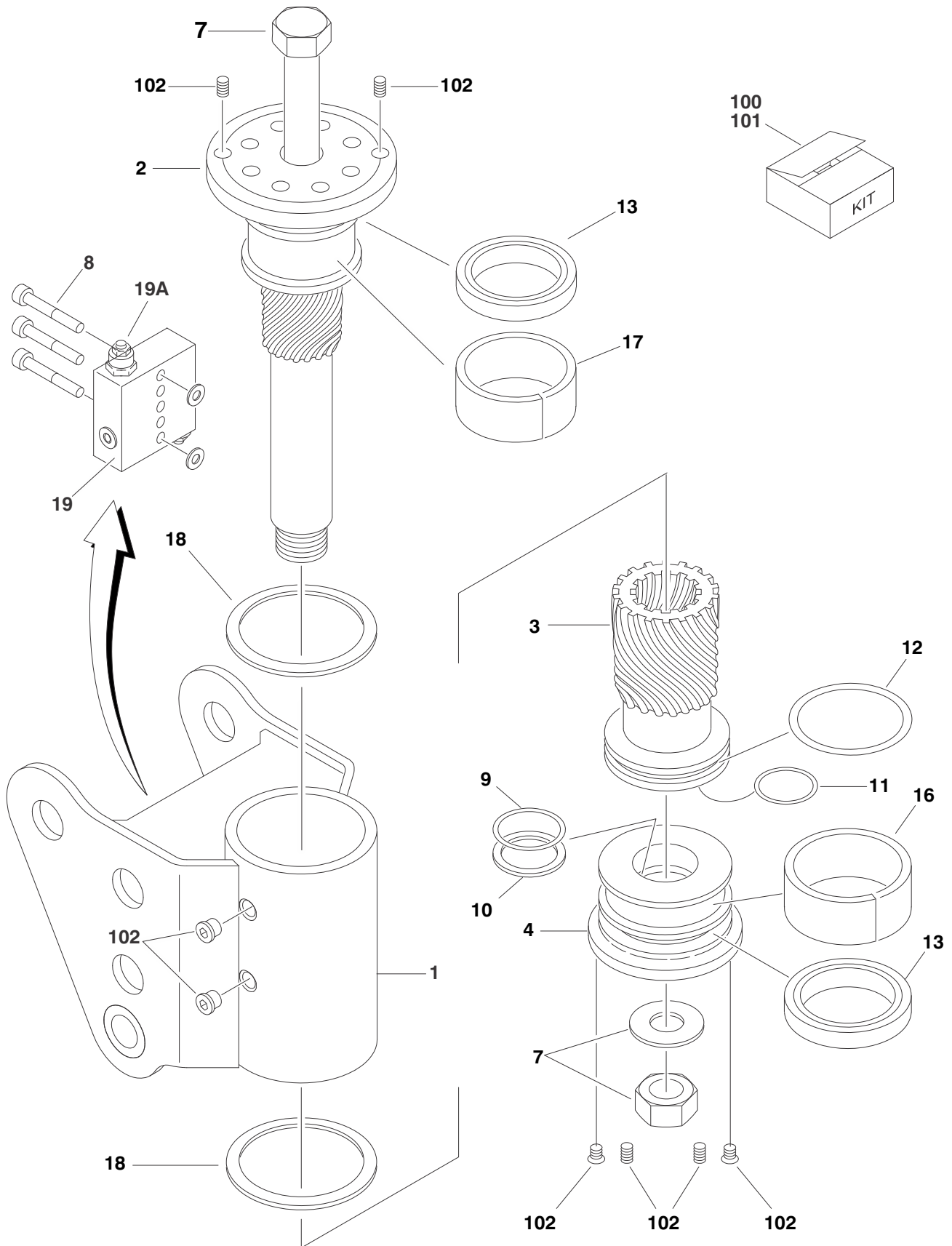
ITEM #	PART NUMBER	QTY.	DESCRIPTION	REV.
41	Use 7017172	1	Counterbalance Valve Assembly Options: Valve - Helac p/n 24327 Stamped beside Mounting Screws (was p/n 7017125)	
	7017172		Valve - Helac p/n 26553 or 26554 Stamped beside Mounting Screws	
		AR	Valve, Cartridge Options:	
	7011323	2	Valve, Cartridge for Helac p/n 24327 Valve	
	2900770	2	Seal Kit - 7011323 Cartridge (1 Per Assembly)	
	7017192	2	Valve, Cartridge Helac p/n 26553 or 26554 (Note: No Seal Kit Available)	
42	See Note	2	Bushing, Shaft (Note: Not Available for Purchase)	
43 to 50	Not Used			
51	7017122	1	Bearing Kit (Includes Items 32 & 34)	
52		1	Seal Kit Options (Includes Items 20,22,24,25,26 & 27):	
	7017127		Standard	
	70000341		Cold Climate	
53	7017123	1	Hardware Kit	
54	70001697	4	Screw, Countersunk 1/4in-20NC x 3/8in (Grade 8)	

FIGURE 3-7. PLATFORM ROTATOR ASSEMBLIES (CONTINUED)

ITEM #	PART NUMBER	QTY.	DESCRIPTION	REV.

SECTION 3 BOOM

FIGURE 3-8. JIB SWING ROTATOR ASSEMBLY (E300AJP ONLY) (PRIOR TO SN 0300064982)



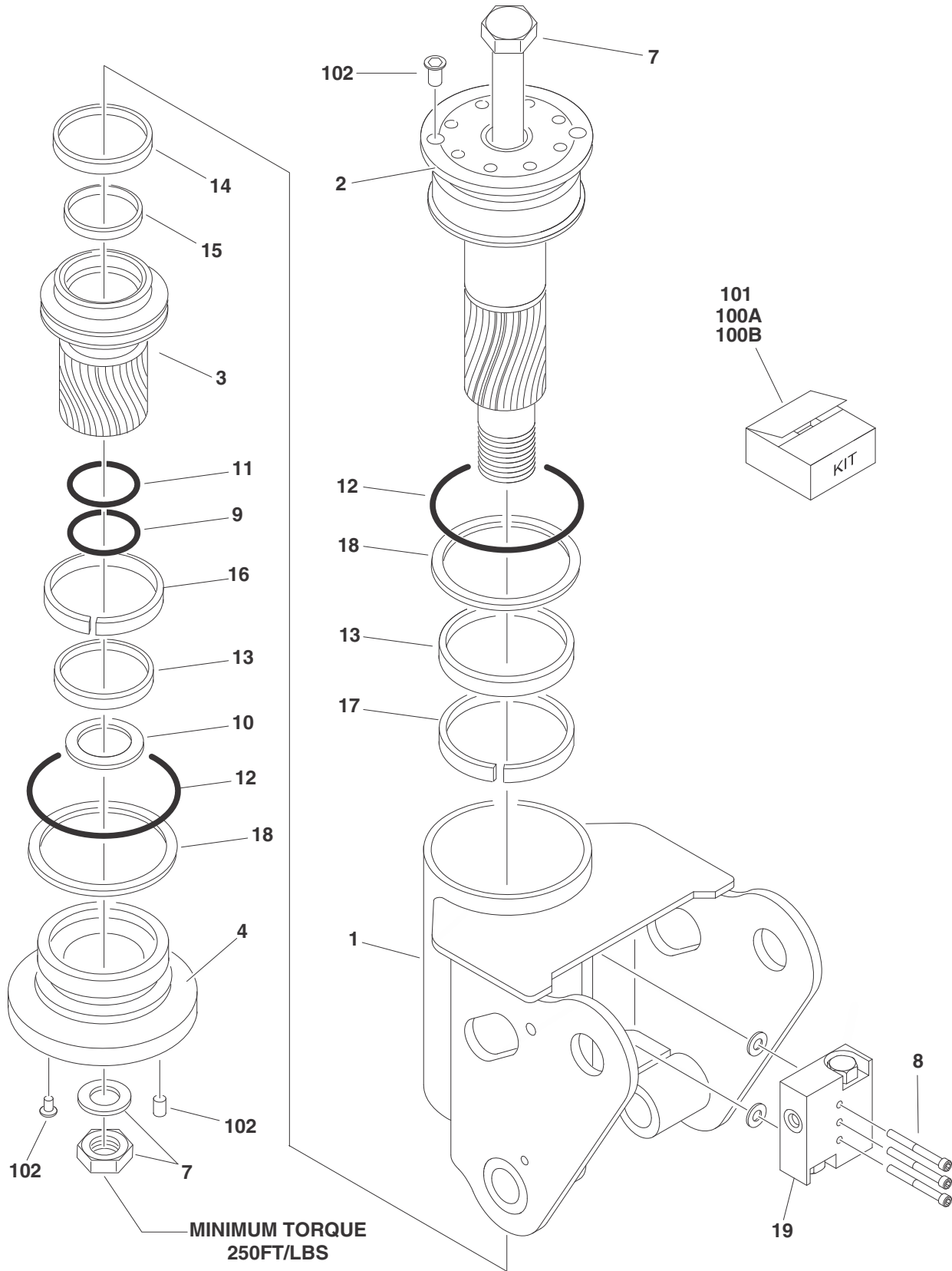
SECTION 3 BOOM

FIGURE 3-8. JIB SWING ROTATOR ASSEMBLY (E300AJP ONLY) (PRIOR TO SN 0300064982)

ITEM #	PART NUMBER	QTY.	DESCRIPTION	REV.
		Ref	ROTATOR ASSEMBLY	
	0060046	Ref	E300AJP Side Swing Rotate (Prior to SN 0300064982)	C
1	Use 0060046	1	Case/Bracket Weldment	
2	7017130	1	Shaft	
3	7017131	1	Sleeve, Piston	
4	See Note	1	Cap, End (Note: Not Available for Purchase)	
5 to 6	Not Used			
7	7017135	1	Tie Rod Assembly	
8	See Note	3	Capscrew 1/4in-20NC (Grade 8) (Note: Not Available for Purchase)	
9	Use 7017133	1	Seal, Cap	
10	Use 7017133	1	Ring, Back-Up Cap	
11	Use 7017133	1	Seal, Rod	
12	Use 7017133	1	Seal, Piston	
13	Use 7017133	2	Packing, Bearing	
14 to 15	Not Used			
16	Use 7017134	1	Bearing, Cap	
17	Use 7017134	1	Bearing, Shaft	
18	Use 7017134	2	Thrustwasher	
19		1	Counterbalance Valve Assembly Options:	
	Use 7017172		Valve - Helac p/n 24327 Stamped beside Mounting Screws (was p/n 7017125)	
	7017172		Valve - Helac p/n 26553 or 26554 Stamped beside Mounting Screws	
19A		AR	Valve, Cartridge Options:	
	7011323	2	Valve, Cartridge for Helac p/n 24327 Valve	
	2900770	2	Seal Kit - 7011323 Cartridge (1 Per Assembly)	
	7017192	2	Valve, Cartridge Helac p/n 26553 or 26554 (No Seal Kit Available)	
			KIT OPTIONS	
100	7017133	1	Seal Kit (Includes Items 9-13)	
101	7017134	1	Bearing Kit (Includes Items 16-18)	
102	7017132	1	Hardware Kit (Includes Plugs & Setscrews)	

SECTION 3 BOOM

FIGURE 3-9. JIB SWING ROTATOR ASSEMBLY (E300AJP ONLY) (SN 0300064982 TO SN 0300138358)



SECTION 3 BOOM

FIGURE 3-9. JIB SWING ROTATOR ASSEMBLY (E300AJP ONLY) (SN 0300064982 TO SN 0300138358)

ITEM #	PART NUMBER	QTY.	DESCRIPTION	REV.
	0060065	Ref	JIB SWING ROTATOR ASSEMBLY	C
1	Use 0060065	1	Case/Bracket Weldment	
2	7017167	1	Shaft	
3	7017168	1	Sleeve, Piston	
4	See Note	1	Cap, End (Note: Not Available for Purchase)	
5 to 6	Not Used			
7	See Note		Tie Rod Assembly (Note: Not Available for Purchase)	
8	See Note	3	Capscrew 1/4in-20NC (Grade 8) (Note: Not Available for Purchase)	
9	See Note	1	Seal, Cap (Note: Used Item 100A or 100B)	
10	See Note	1	Ring, Back-up Cap (Note: Used Item 100A or 100B)	
11	See Note	1	Seal, Rod (Note: Used Item 100A or 100B)	
12	See Note	1	Seal, Piston (Note: Used Item 100A or 100B)	
13	See Note	2	Packing, Bearing (Note: Used Item 100A or 100B)	
14	See Note	1	Seal (Note: Used Item 100A or 100B)	
15	See Note	1	Seal (Note: Used Item 100A or 100B)	
16	Use 7017178	1	Bearing, Cap	
17	Use 7017178	1	Bearing, Shaft	
18	Use 7017178	2	Thrustwasher	
19	7017172	1	Counterbalance Valve Assembly	
	7017192	2	Cartridge, Valve (No Seal Kit Available)	

100		1	Seal Kit Options (Includes Item 9-15):	
100A	7017165		Standard	
100B	70000340		Cold Climate	
101	7017178	1	Bearing Kit (Includes Item 16-18)	
102	7017179	1	Hardware Kit	

SECTION 3 BOOM

FIGURE 3-10. CABLES, CLAMPS AND LIMIT SWITCHES INSTALLATION

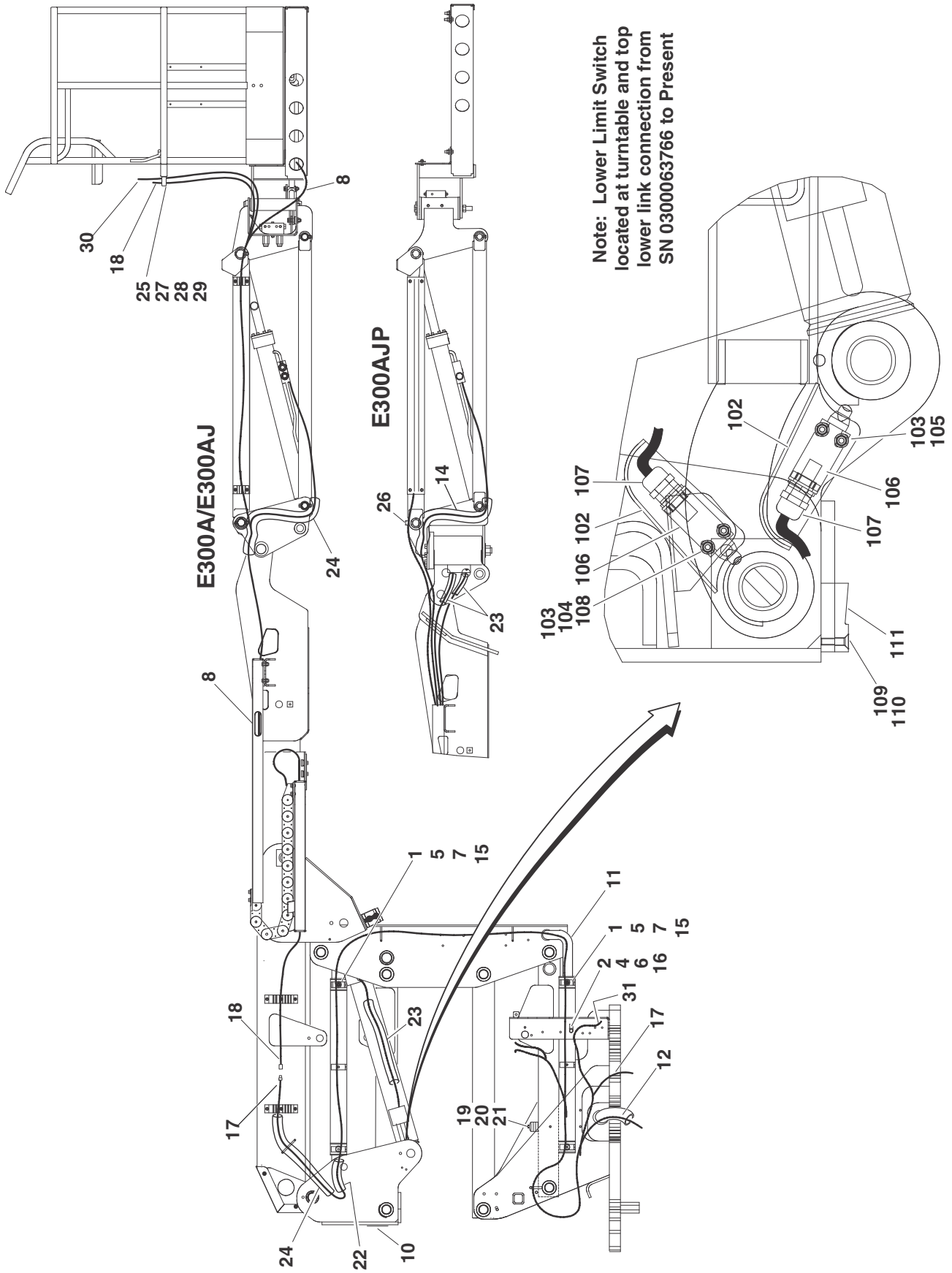


FIGURE 3-10. CABLES, CLAMPS AND LIMIT SWITCHES INSTALLATION

ITEM #	PART NUMBER	QTY.	DESCRIPTION	REV.
		Ref	CABLE AND CLAMP INSTALLATIONS	
	0259033	Ref	E300A & E300AJ	12
	0259623	Ref	E300AJP	11
1	0641416	6	Bolt 1/4in-20NC x 2in	
2	0721006	1	Screw	
3	Not Used			
4	1320043	1	Clamp, Cable	
5	1320261	4	Clamp, Hose	
6	3311005	1	Locknut #10-24NC	
7	3311405	6	Locknut 1/4in-20NC	
8	4060803	19in/ 48cm	Shield, Flex Trim 1/8in (Prior to SN 0300056416 Only)	
9	Not Used			
10	4060807	14in/ 36cm	Shield, Flex Trim 3/8in	
11	4100058	2	Sleeve, Hose (Prior to SN 0300056416 Only)	
12	4100063	1	Sleeve, Hose Wrap	
13	Not Used			
14		AR	Sleeve, Hose Wrap Options:	
	Not Required	0	E300A & E300AJ	
	4100066	2	E300AJP	
15	4711400	6	Flatwasher 1/4in Thin	
16	4751000	2	Flatwasher #10 Regular	
17	4922270	1	Harness, Lower Platform (See Section 7 for Breakdown)	
18	4922273	1	Harness, Upper Platform (See Section 7 for Breakdown)	
19	0100011	AR	Compound, Locking	
20	0641510	1	Bolt 5/16in-18NC x 1-1/4in	
21	1320262	1	Clamp	
22	4100066	AR	Sleeve, Hose Wrap	
23	4100067	AR	Sleeve, Hose Wrap	
		4	Prior to SN 0300071754	
		2	SN 0300071754 to SN 0300093853	
		1	SN 0300093853 to SN 0300138358	
24	4100068	2	Sleeve, Hose Wrap (Prior to SN 0300066703 Only)	
25	1320130	1	Clamp, Hose (Prior to SN 0300071754 Only)	
26	Not Required		Clamp, Hose	
27	0641616	1	Bolt 3/8in-16NC x 2in (Prior to SN 0300071754 Only)	
28	4711600	1	Flatwasher 1/4in Thin (Prior to SN 0300071754 Only)	
29	3271601	1	Nut 3/8in-16NC (Prior to SN 0300071754 Only)	
30	1060876	24ft/7.4m	Cable	
31	1060877	21ft/6.4m	Cable	
		Ref	BOOM LIMIT SWITCHES OPTIONS:	
	0259255	Ref	Prior to SN 0300063766	C
	0270339	Ref	SN 0300063766 to SN 0300138358	D
101	Not Used			
102	1670899	1	Cover, Switch	

SECTION 3 BOOM

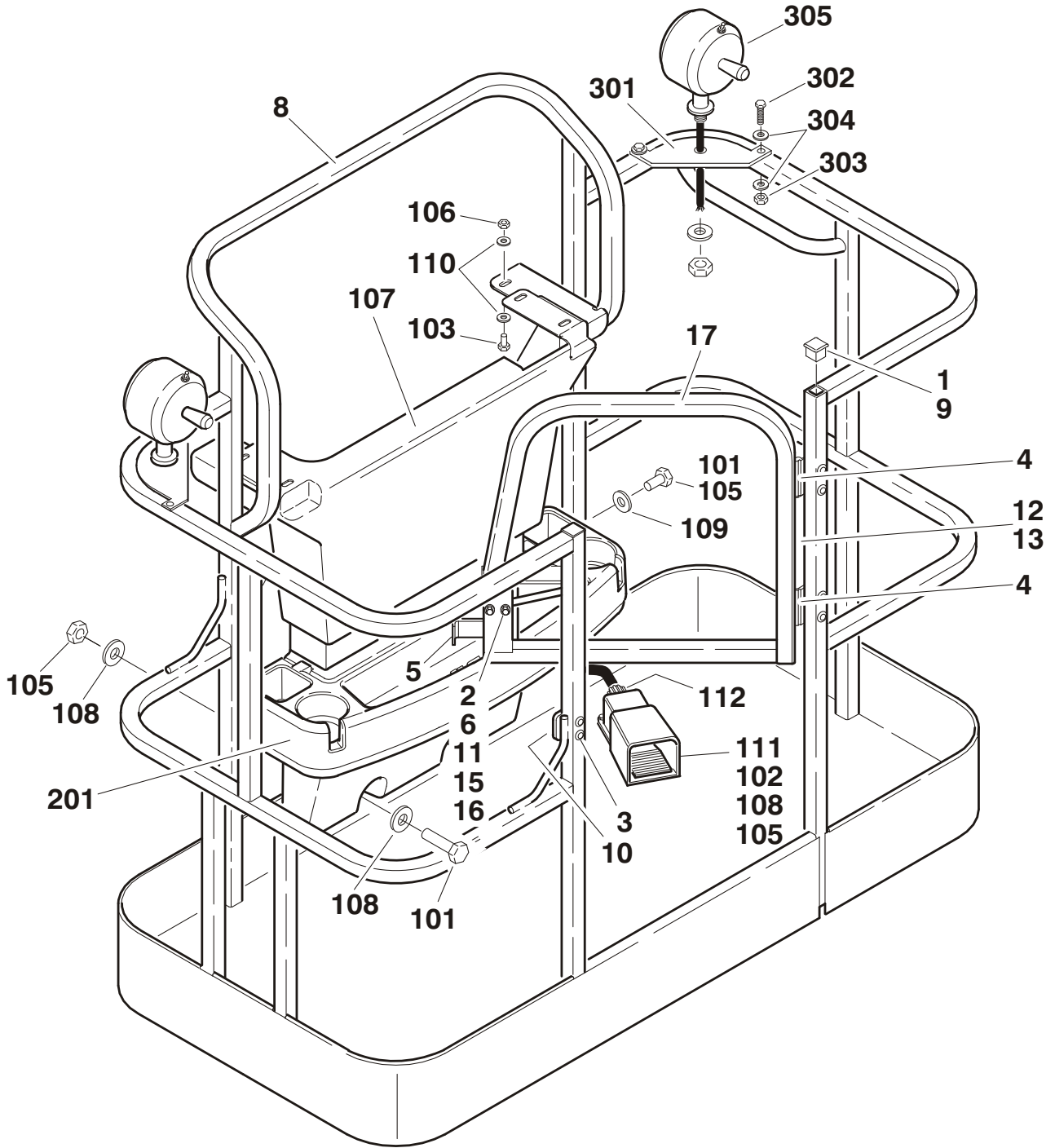
FIGURE 3-10. CABLES, CLAMPS AND LIMIT SWITCHES INSTALLATION (CONTINUED)

ITEM #	PART NUMBER	QTY.	DESCRIPTION	REV.
103	3311005	4	Locknut #10-24NC	
104	3931024	2	Bolt #10-24NC x 1-1/2in	
105	3931028	2	Bolt #10-24NC x 1 3/4in	
106	Use 4360548	2	Switch, Limit (was p/n 4360321)	
107		2	Connector, Terminal Options:	
	4460428		Use with Limit Switch p/n 4360321	
	4360968		Use with Limit Switch p/n 4360548	
108	4751000	2	Flatwasher #10 Regular	
109	0741408	2	Screw 1/4in-20NC x 1in	
110	0100011	AR	Compound, Locking	
111	3340865	1	Pad (SN 0300046300 to SN 0300138358)	

SECTION 4 PLATFORM

SECTION 4 PLATFORM

FIGURE 4-1. PLATFORM COMPONENTS INSTALLATION (FRONT ENTRY)



SECTION 4 PLATFORM

FIGURE 4-1. PLATFORM COMPONENTS INSTALLATION (FRONT ENTRY)

ITEM #	PART NUMBER	QTY.	DESCRIPTION	REV.
		Ref	PLATFORM INSTALLATIONS:	
	3510694	Ref	4ft With Swing Gate & No Mesh	D
	3510711	Ref	4ft With Swing Gate & Mesh to Top Rail	B
	3510714	Ref	4ft With Self-Closing Gate & No Mesh	C
	3510725	Ref	4ft With Self-Closing Gate & Mesh to Top Rail	C
	3510693	Ref	5ft With Swing Gate & No Mesh (E300A Only)	D
		Ref	NOTE: REPLACEMENT DECALS MUST BE ORDERED SEPARATELY - SEE SECTION 8.	
1	0100040	AR	Sealant, Silicone	
2	0100011	AR	Compound, Locking	
3	2080040	13	Fastener, Huck	
4		2	Hinge Options:	
	2600216		With Swing Gate	
	Use 2600287		With Self-Closing Gate (was p/n 2600219)	
5	2940074	1	Latch	
6	3311005	4	Locknut #10-24NC	
7	Not Used			
8	See Note	1	Platform Weldment (Note: Not Available - Purchase Platform Assembly)	
9	3520072	3	Cap-Plug	
10	3539685	1	Plate, Latch	
11	3911008	4	Screw #10-24NC x 1in	
12	4060803	6in/15cm	Trimlock	
13	4220165	1	Stop, Gate	
14	Not Used			
15	4751000	4	Flatwasher #10 Regular	
16	4761000	4	Lockwasher #10	
17		1	Gate Weldment Options:	
	4845327		With Swing Gate & No Mesh	
	4845824		With Swing Gate & Mesh to Top Rail	
	4845426		With Self-Closing Gate & No Mesh	
	4845951		With Self-Closing Gate & Mesh to Top Rail	
	7016652	13	----- Huck Fastener Kit (Replaces Huck Fasteners with Bolts)	

SECTION 4 PLATFORM

FIGURE 4-1. PLATFORM COMPONENTS INSTALLATION (FRONT ENTRY) (CONTINUED)

ITEM #	PART NUMBER	QTY.	DESCRIPTION	REV.
		Ref	PEDESTAL PANEL & FOOTSWITCH INSTALLATIONS	
		Ref	E300A & E300AJ MODELS	
		Ref	ANSI Spec Options:	
	0861176	Ref	Prior to SN 0300068944	7/F
	0272082	Ref	SN 0300068944 to SN 0300138358	A
		Ref	UL Spec Options:	
	0861176	Ref	Prior to SN 0300056965	7/F
	0861452	Ref	SN 0300056965 to SN 0300068944	1/A
	0272105	Ref	SN 0300068944 to SN 0300138358	A
		Ref	E300AJP MODELS	
		Ref	ANSI Spec Options:	
	0861311	Ref	Prior to SN 0300049315	1/A
	0861314	Ref	SN 0300049315 to SN 0300068944	5/D
	0272106	Ref	SN 0300068944 to SN 0300138358	A
		Ref	UL Spec Options:	
	0861311	Ref	Prior to SN 0300049315	1/A
	0861314	Ref	SN 0300049315 to SN 0300056965	5/D
	0861449	Ref	SN 0300056965 to SN 0300068944	1/A
	0272104	Ref	SN 0300068944 to SN 0300138358	A
101	0641406	4	Bolt 1/4in-20NC x 3/4in	
102	0641408	3	Bolt 1/4in-20NC x 1in	
103	0641610	4	Bolt 3/8in-16NC x 1-1/4in	
104	Not Used			
105	3311405	7	Locknut 1/4in-20NC	
106	3311605	4	Locknut 3/8in-16NC	
107	3380434	1	Panel, Pedestal	
108	4740362	7	Washer, Fender 1/4in	
109	4751400	4	Flatwasher 1/4in Regular	
110	4751600	8	Flatwasher 3/8in (Wide)	
111	4360031	1	Footswitch	
	7000625	2	Block, Contact	
	3252347	1	Nameplate (Note: See Section 8 for Other Languages)	
112	4460071	1	Connector, Strain Relief (Not Shown - Located at Console Box)	
		Ref	TRAY INSTALLATIONS (OPTIONAL)	
201	1580012	1	Tray, Storage (Center)	
202	1580013	1	Tray, Storage (Rail Mounted - Not Shown)	
		Ref	WORKLIGHTS INSTALLATION OPTIONS:	
	0259338	Ref	WORKLIGHTS INSTALLATION (Optional)	2/B
	0271301	Ref	WORKLIGHTS INSTALLATION (UL Machines Only)	2/B
301	3536089	2	Plate, Mounting	
302	0641414	4	Bolt 1/4in-20NC x 1-3/4in	
303	3311405	4	Locknut 1/4in-20NC	
304	4711400	8	Flatwasher 1/4in Thin	

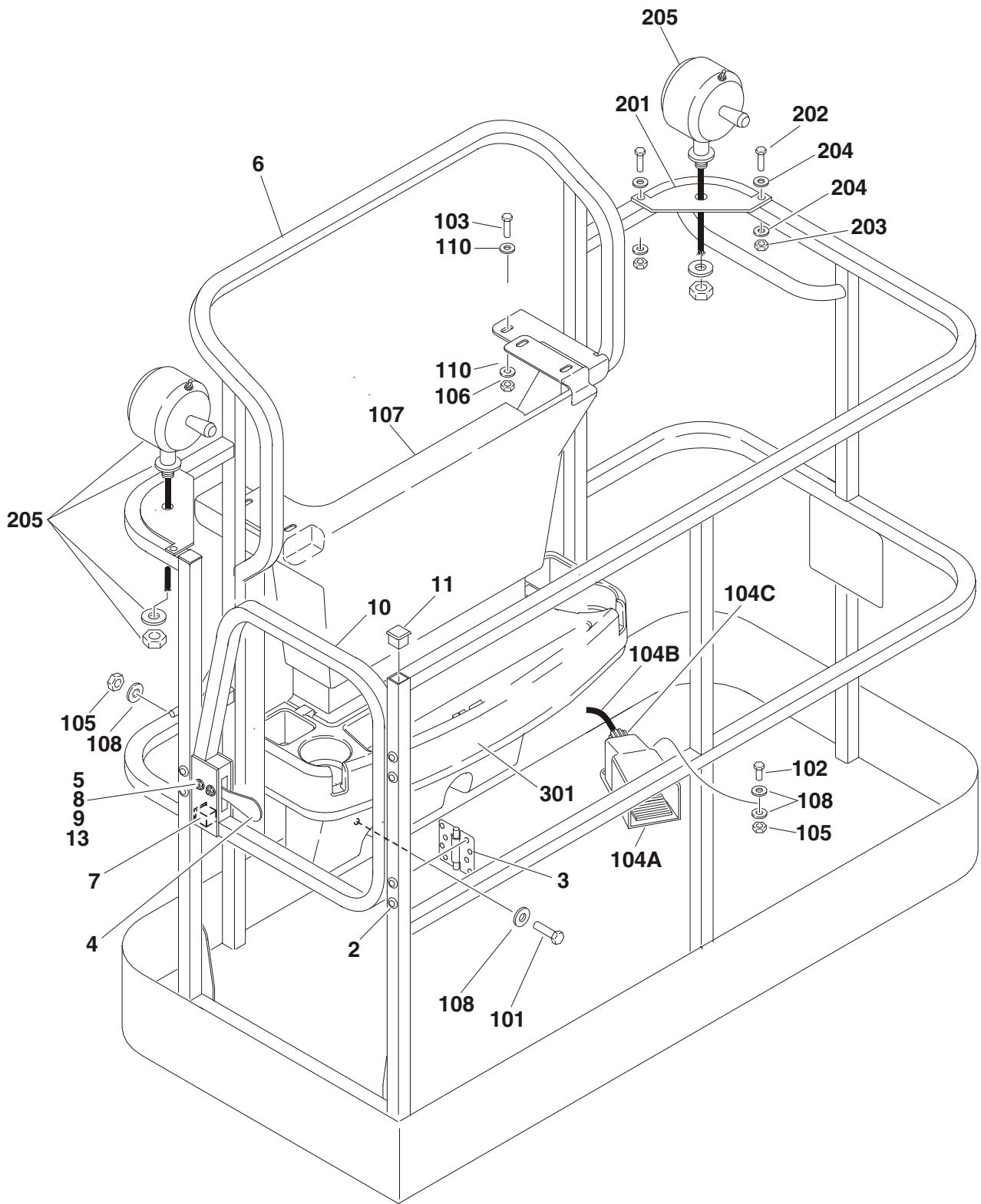
SECTION 4 PLATFORM

FIGURE 4-1. PLATFORM COMPONENTS INSTALLATION (FRONT ENTRY) (CONTINUED)

ITEM #	PART NUMBER	QTY.	DESCRIPTION	REV.
305	2920095	2	Worklight Assembly	
	7016356	2	Bulb, Replacement	
306	4240099	10	Tie-Strap (Not Shown)	

SECTION 4 PLATFORM

FIGURE 4-2. PLATFORM COMPONENTS INSTALLATION (SIDE ENTRY)



SECTION 4 PLATFORM

FIGURE 4-2. PLATFORM COMPONENTS INSTALLATION (SIDE ENTRY)

ITEM #	PART NUMBER	QTY.	DESCRIPTION	REV.
		Ref	PLATFORM ASSEMBLIES:	
	Use 1001144026	Ref	30in X 5ft (76cm x 1.52m) with No Mesh (was p/n 3510831)	B/L
	Use 1001144027	Ref	30in X 4ft (76cm x 1.22m) with No Mesh (was p/n 3510830)	B/M
		Ref	Note: Original Equipment platform may have been replaced with Service Replacement platform. Identify platform before ordering parts.	
		Ref	Note: Platform and Mesh must be ordered separately for Platforms with Mesh. See Section 10 for Mesh Installations.	
		Ref	NOTE: REPLACEMENT DECALS MUST BE ORDERED SEPARATELY - SEE SECTION 8.	
1	Not Used			
2	2080040	16	Fastener, Huck	
3	2600281	2	Hinge, Self-Closing	
4	2940074	1	Latch	
5	3311001	4	Nut #10-24NC (Prior to SN 0300077390)	
6	See Note	1	Platform Weldment (Note: Not Available - Purchase Platform Assembly)	
7	3520072	1	Cap-Plug	
8		4	Hardware Options:	
	3911008		Screw #10-24NC x 1in (Prior to SN 0300077390)	
	3820020		Rivet, Pop (SN 0300077390 to SN 0300138358)	
9	4751000	8	Flatwasher #10 Regular (Prior to SN 0300077390)	
10		1	Gate Weldment Options:	
	4846452		Platform p/n 3510830 & p/n 3510831 (Original Equipment)	
	1001144629		Platform p/n 1001144026 & p/n 1001144027 (Service Replacement)	
11	3520198	2	Cap-Plug	
12	Not Used			
13	4761000	4	Lockwasher #10 (Prior to SN 0300077390)	
		Ref	PEDESTAL PANEL & FOOTSWITCH INSTALLATIONS	
		Ref	E300A & E300AJ MODELS	
	0272082	Ref	ANSI Spec	A
	0272105	Ref	UL Spec	A
		Ref	E300AJP MODELS	
	0272106	Ref	ANSI Spec	A
	0272104	Ref	UL Spec	A
101	0641406	4	Bolt 1/4in-20NC x 3/4in	
102	0641408	3	Bolt 1/4in-20NC x 1in	
103	0641610	4	Bolt 3/8in-16NC x 1-1/4in	
104		1	Console Box Assembly (Not Shown - See Platform Console Assembly for Breakdown)	
104A	4360031	1	Footswitch	
	7000625	2	Block, Contact	
	3252347	1	Nameplate (Note: See Section 8 for Other Languages)	
104B	1060330	7ft/2.2m	Cable, Electrical 16/3	
104C	4460071	1	Connector, Strain Relief	
105	3311405	7	Locknut 1/4in-20NC	

SECTION 4 PLATFORM

FIGURE 4-2. PLATFORM COMPONENTS INSTALLATION (SIDE ENTRY) (CONTINUED)

ITEM #	PART NUMBER	QTY.	DESCRIPTION	REV.
106	3311605	4	Locknut 3/8in-16NC	
107	3380434	1	Panel, Pedestal	
108	4740362	7	Washer, Fender 1/4in	
109	4751400	4	Flatwasher 1/4in Regular	
110	4751600	8	Flatwasher 3/8in Regular	
		Ref	WORKLIGHTS INSTALLATION OPTIONS:	
	0259338	Ref	WORKLIGHTS INSTALLATION (Optional)	1/A
	0271301	Ref	WORKLIGHTS INSTALLATION (UL Machines Only)	2/B
201	3536089	2	Plate, Mounting	
202	0641414	4	Bolt 1/4in-20NC x 1-3/4in	
203	3311405	4	Locknut 1/4in-20NC	
204	4711400	8	Flatwasher 1/4in Thin	
205	2920095	2	Worklight Assembly	
	7016356	2	Bulb, Replacement	
206	4240099	10	Tie-Strap (Not Shown)	
		Ref	TRAY INSTALLATIONS (OPTIONAL)	
301	1580012	1	Tray, Storage (Center)	
302	1580013	1	Tray, Storage (Rail Mounted - Not Shown)	

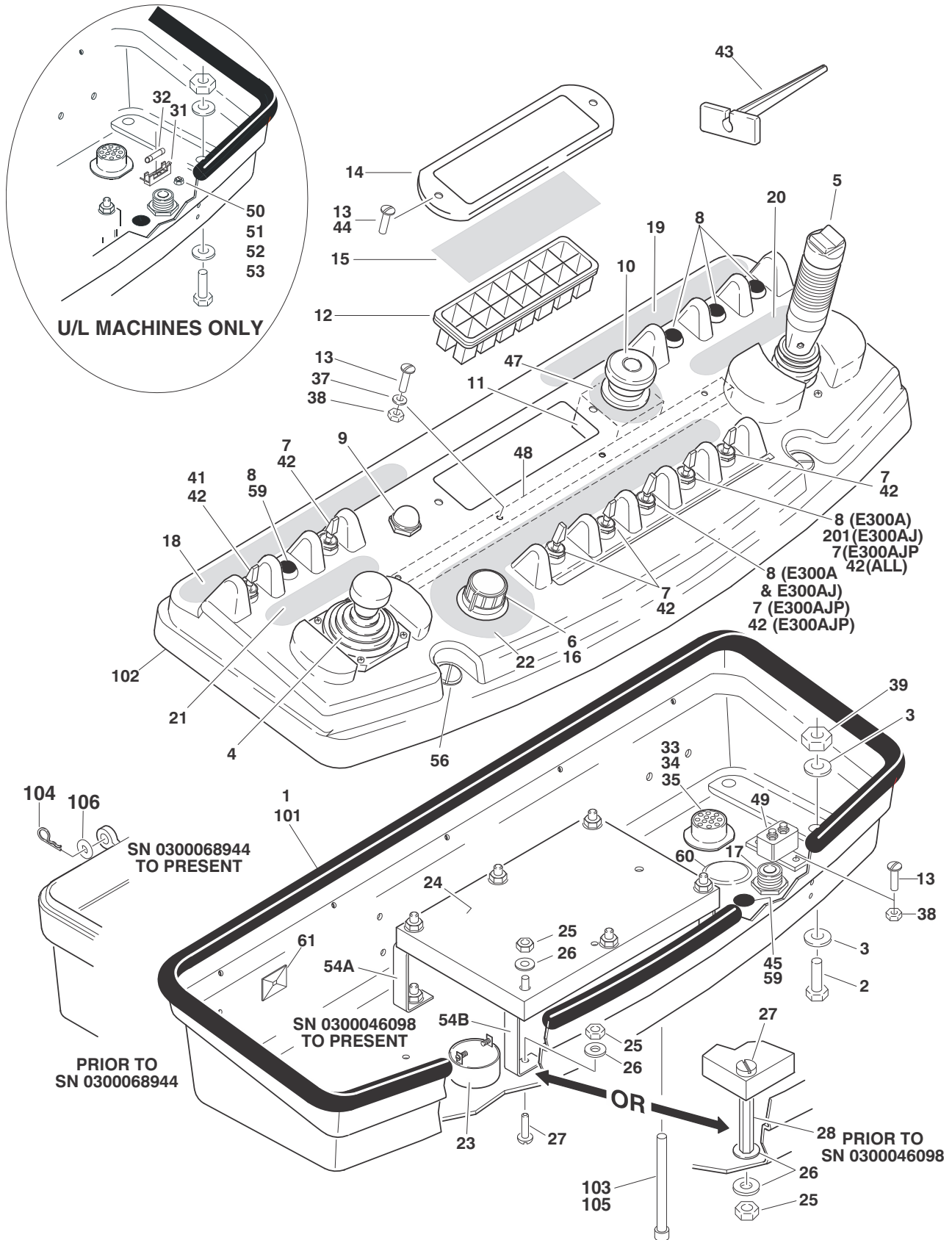
SECTION 4 PLATFORM

FIGURE 4-2. PLATFORM COMPONENTS INSTALLATION (SIDE ENTRY) (CONTINUED)

ITEM #	PART NUMBER	QTY.	DESCRIPTION	REV.

SECTION 4 PLATFORM

FIGURE 4-3. PLATFORM CONSOLE ASSEMBLY



SECTION 4 PLATFORM

FIGURE 4-3. PLATFORM CONSOLE ASSEMBLY

ITEM #	PART NUMBER	QTY.	DESCRIPTION	REV.
		Ref	CONSOLE BOX ASSEMBLY OPTIONS:	
		Ref	PRIOR TO SN 0300068944	
	0861176	Ref	E300A & E300AJ	10/H
	0861314	Ref	E300AJP	4/D
	0861452	Ref	E300A & E300AJ (U/L MACHINES ONLY)	1/A
	0861449	Ref	E300AJP (U/L MACHINES ONLY)	1/A
		Ref	SN 0300068944 to SN 0300138358	
	0861529	Ref	E300A & E300AJ	H
	0861532	Ref	E300AJP	H
	0861531	Ref	E300A & E300AJ (U/L MACHINES ONLY)	E
	0861530	Ref	E300AJP (U/L MACHINES ONLY)	G
	0273089	Ref	LIGHT DISPLAY DECAL INSTALLATION	A
1		AR	Console Box Assembly Options:	
	0861215	1	Console Assembly - Prior to SN 0300068944	
	7020099	2	Screw	
	3760308	2	Retainer, Screw	
	7020100	2	Receptacle, Clip-on Screw	
	0861537	1	Console Assembly - SN 0300068944 to SN 0300138358 (See Items 101-106 for Breakdown)	
2	0641610	4	Bolt 3/8in-16NC x 1-1/4in	
3	4751600	8	Flatwasher 3/8in Regular	
4	Use 1001118419	1	Controller Assembly (Lift & Swing) (See Controller Assembly (Lift & Swing) for Breakdown) (was p/n 1600274)	
5	Use 1001118418	1	Controller Assembly (Drive & Steer) (See Controller Assembly (Drive & Steer) for Breakdown) (was p/n 1600273)	
6	4360462	1	Switch, Potentiometer	
7	4360328	AR	Switch, Toggle	
8	Use 3520054	6	Plug, Hole (was p/n 3520028)	
9	4360387	1	Switch, Push Button	
10	4360475	1	Switch, Emergency Stop	
	7020175	1	Cap, Mushroom with Sealing Ring	
	7020176	1	Block, Contact	
11	4360476	1	Block, Contact	
12	2760105	1	Housing, Display Light	
13	0630464	8	Screw, Button Head #10-24NC x 1/2in	
14	1670829	1	Bezel	
15	1704239	1	Display - Light Panel	
16	Use 2560136	1	Knob, Speed Control (was p/n 2560115)	
17	4460428	1	Connector, Strain Relief	
18	1704240	1	Decal - Horn	
19	1704192	1	Decal - Stop	
20	1702565	1	Decal - Drive & Steer	
21	1702566	1	Decal - Lift & Swing	
22		1	Decal - Function Speed Options:	
	1702567		E300A & E300AJ	
	1704422		E300AJP	

SECTION 4 PLATFORM

FIGURE 4-3. PLATFORM CONSOLE ASSEMBLY (CONTINUED)

ITEM #	PART NUMBER	QTY.	DESCRIPTION	REV.
23	Use 0140011 0140011	1	Alarm Options: Prior to SN 0300046839 (was p/n 0140019) SN 0300046839 to SN 0300138358	
24	Use 1001109498	1	Module, Platform (was p/n 0610128)	
25	3310601	AR	Nut #6-32NC	
26	4750600	AR	Flatwasher #6 Regular	
27	3910612	AR	Screw #8-32NC x 3/4in (Prior to SN 0300068944 Only)	
28	4300132	6	Stud, Stand-Off (Prior to SN 0300046098)	
29 to 30	Not Used			
31	2400067	1	Fuse Holder, Glass (U/L Machines Only)	
32	2400068	1	Fuse, 10 Amp (U/L Machines Only)	
33	4460752	1	Connector - 14 Position	
34	4460497	1	Nut, Receptacle	
35	4460496	1	Lockwasher, Receptacle	
36	4240032	2	Tie-Strap	
37	4740120	4	Washer, Nylon (Prior to SN 0300068944 Only)	
38	3311005	6	Locknut #10-24NC (Prior to SN 0300068944 Only)	
39	3311605	4	Locknut 3/8in-16NC (Prior to SN 0300068944 Only)	
40	Not Used			
41	4360330	1	Switch, Toggle	
42	3790012	AR	O-Ring	
43	4460467	1	Tool, Extraction (Prior to SN 0300068944 Only)	
44	0100035	AR	Compound, Locking	
45	3520030	2	Hole, Plug	
46	Not Used			
47	1704260	1	Decal - Emergency Stop Switch	
48	3571222	1	Angle, Relay Mounting (Prior to SN 0300068944 Only)	
49	4360448	1	Breaker, Circuit - 10Amp	
50	3910808	2	Screw (U/L Machines Only)	
51	4750600	3	Flatwasher #6 Regular (U/L Machines Only) (Prior to SN 0300068944 Only)	
52	4760600	2	Lockwasher Spring (U/L Machines Only) (Prior to SN 0300068944 Only)	
53	3310601	2	Nut, Grade 2 (U/L Machines Only) (Prior to SN 0300068944 Only)	
54		AR	Bracket Options:	
54A	0902575	1	Bracket - Rear (SN 0300046098 to SN 0300047442)	
	0902588	1	Bracket - Rear (SN 0300047442 to SN 0300138358)	
54B	0902575	1	Bracket - Front	
55		AR	Jumper Harness Options (Prior to SN 0300068944 Only) (Not Shown - See Section 7 for Breakdown):	
	Not Required	0	E300A & E300AJ	
	4922307	1	E300AJP	
56	7020099	2	Screw (Prior to SN 0300068944)	
57	7020100	2	Clip, Mounting (Not Shown)	
58	3760308	2	Ring, Retainer	
59	0100009	AR	Adhesive, Silicon	
60	Use 1001110435	1	Cover, Control Box (SN 0300068944 to SN 0300138358 Only) (was p/n 1671037)	

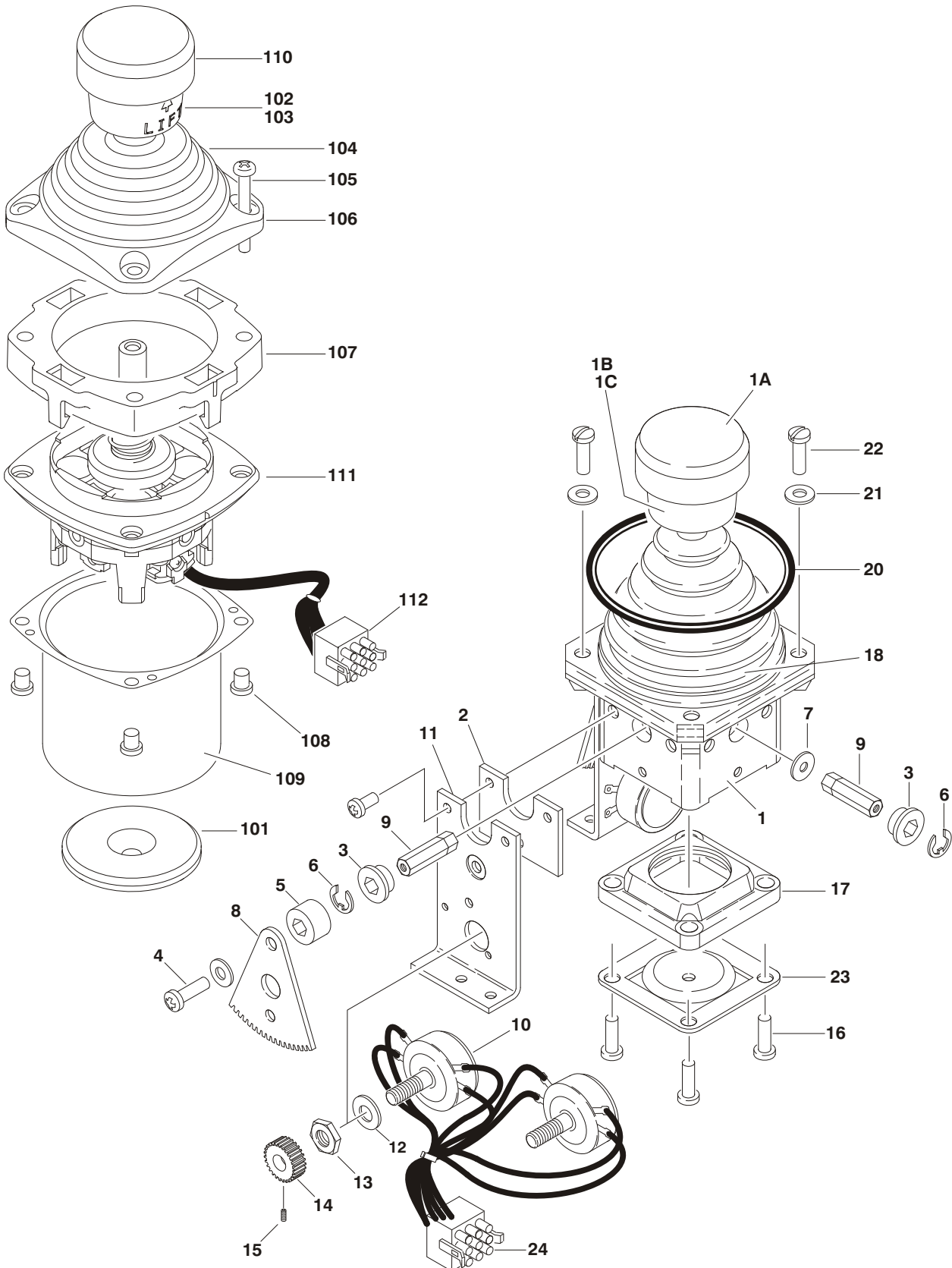
SECTION 4 PLATFORM

FIGURE 4-3. PLATFORM CONSOLE ASSEMBLY (CONTINUED)

ITEM #	PART NUMBER	QTY.	DESCRIPTION	REV.
61	4460488	1	Mounting Base, Terminal (SN 0300068944 to SN 0300138358 Only)	
62 to 69	Not Used		-----	
70	2910866	1	Decal Kit (Includes Items 15, 18-22 & 47)	3
	0861537	Ref	CONSOLE ASSEMBLY - SN 0300068944 TO SN 0300138358	E
101	Use 0861537	1	Casting, Console (Bottom)	
102	Use 0861537	1	Casting, Console (Top)	
103	3311601	1	Nut 3/8in-16NC	
104	3470003	2	Pin, Cotter	
105	0630568	1	Bolt 3/8in-16NC x 4-1/2in	
106	4711500	2	Flatwasher 5/16in Thin	
	0259102	Ref	JIB CONSOLE SWITCH (E300AJ ONLY)	2/B
201	4360328	1	Switch, Toggle	
	3790012	1	O-Ring	
	4922294	1	Harness, Jib Function (See Section 7 for Breakdown)	
	4240032	6	Tie-Strap	
202	4922534	1	Harness, Overload Light (Not Shown - See Section 7 for Breakdown)	

SECTION 4 PLATFORM

FIGURE 4-4. CONTROLLER ASSEMBLY (SWING & LIFT)



SECTION 4 PLATFORM

FIGURE 4-4. CONTROLLER ASSEMBLY (SWING & LIFT)

ITEM #	PART NUMBER	QTY.	DESCRIPTION	REV.
		Ref	Note: Original Equipment component may be replaced with Service Replacement component. Visually identify controller before ordering parts.	
		Ref	CONTROLLER ASSEMBLY	
	See Note	Ref	Controller Assembly (Note: Original Equipment was 1600274. Use 1001118419 as Replacement)	F
1	7019141	1	Mechanical Assembly (Includes Base, Handle Stem & Items 18, 1A, 1B & 1C)	
1A	7019197	1	Handle Cap and Rod	
1B	7003928	1	Spring	
1C	7022808	1	Cap, Lift	
2	7019142	2	Plate	
3	7019111	4	Bearing, Gear	
4	7019143	2	Screw	
5	7019144	2	Spacer	
6	7019145	4	E-Clip	
7	7019174	2	Spacer, Cam	
8	7003977	2	Gear, Drive	
9	7019147	4	Shaft	
10	7019195	2	Potentiometer Assembly	
	7003974	1	Potentiometer	
11	7019142	2	Plate	
12	7003992	2	Washer	
13	7003993	2	Nut	
14	7003976	2	Gear, Slave	
15	7019149	2	Setscrew	
16	7003952	4	Screw	
17	7019150	1	Gate	
18	Use 7022813	1	Boot (was p/n 7003955)	
19	Use 7022813	1	Plate, Plastic (was p/n 7003954)	
20	7003956	1	O-Ring	
21	7003953	4	Washer	
22	7019137	4	Screw	
23	7019170	1	Center, Detent	
24	4460265	1	Plug, Male - 9 Position	
	4460226	8	Socket, Female	
	1001118419	Ref	Controller Assembly (Service Replacement)	B
101	70002730	1	Gasket	
102	7003928	1	Spring	
103	7022808	1	Cap, Lift	
104	70002731	1	Boot	
105	70002732	4	Screw	
106	7022815	1	Bezel	
107	70002733	1	Adapter	
108	70002734	4	Screw	
109	70002735	1	Can, Enclosure	
110	70002906	1	Cap	

SECTION 4 PLATFORM

FIGURE 4-4. CONTROLLER ASSEMBLY (SWING & LIFT) (CONTINUED)

ITEM #	PART NUMBER	QTY.	DESCRIPTION	REV.
111	Use 1001118419	1	Mechanical Assembly	
112	4460265	1	Plug, Male - 9 Position	
	4460226	8	Socket, Female	

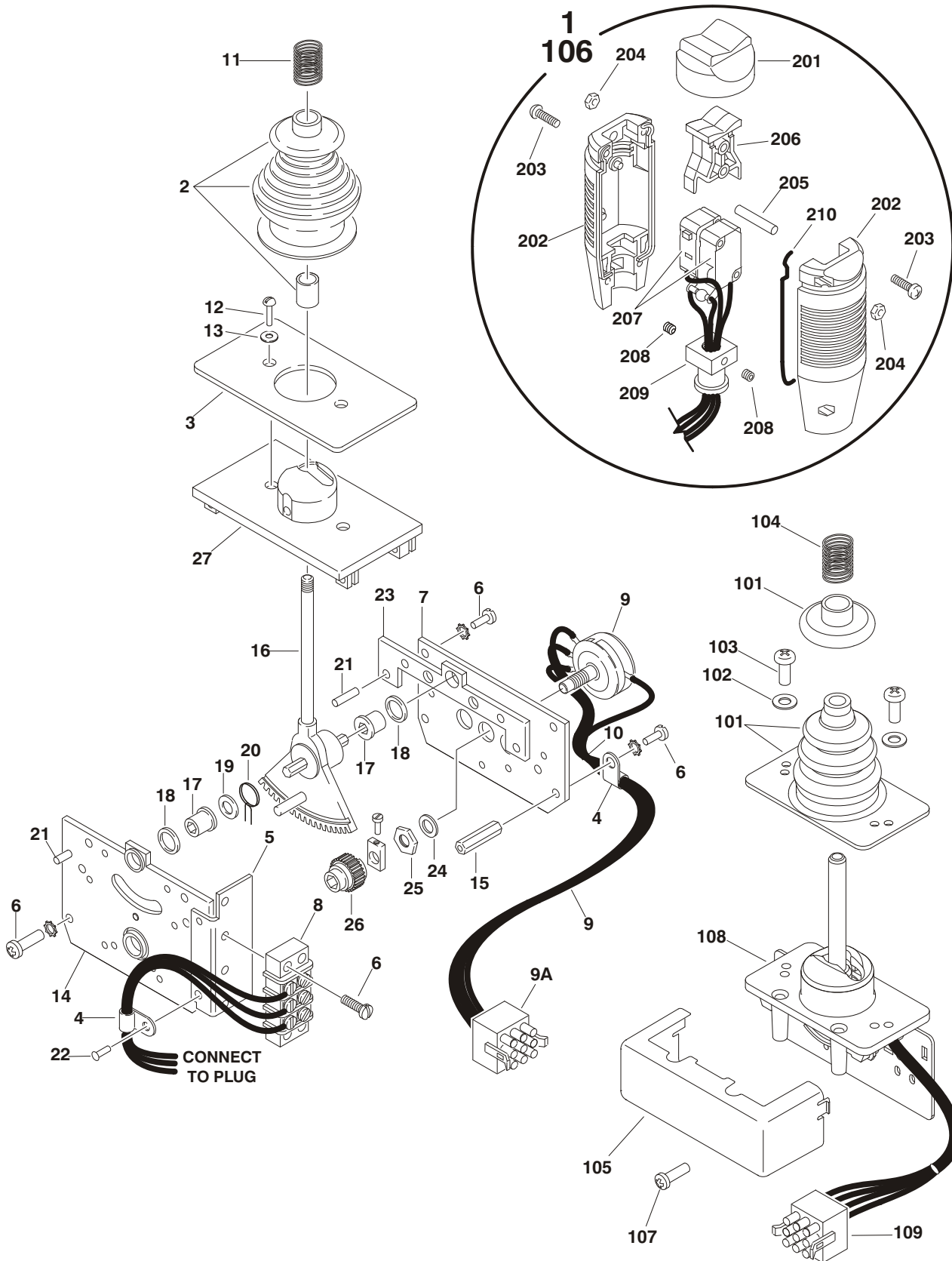
SECTION 4 PLATFORM

FIGURE 4-4. CONTROLLER ASSEMBLY (SWING & LIFT) (CONTINUED)

ITEM #	PART NUMBER	QTY.	DESCRIPTION	REV.

SECTION 4 PLATFORM

FIGURE 4-5. CONTROLLER ASSEMBLY (DRIVE AND STEER)



SECTION 4 PLATFORM

FIGURE 4-5. CONTROLLER ASSEMBLY (DRIVE AND STEER)

ITEM #	PART NUMBER	QTY.	DESCRIPTION	REV.
		Ref	Note: Original Equipment component may be replaced with Service Replacement component. Visually identify controller before ordering parts.	
		Ref	CONTROLLER ASSEMBLY	
	See Note	Ref	Controller Assembly (Note: Original Equipment was p/n 1600273. Use 1001118418 as Replacement)	G
1	7022812	1	Handle Assembly (See items 201-210 for Breakdown)	
2	7019161	1	Boot and Sleeve	
3	7003933	1	Gasket	
4	7019154	2	Clamp, Wire	
5	7019159	1	Bracket, Mounting	
6	7003994	10	Screw	
7	7019157	1	Plate, Pot Mounting	
8	7003986	1	Strip, Terminal - 3 Position	
9	7019191	1	Electric Assembly	
	7003974	1	Potentiometer	
9A	4460265	1	Plug, Male - 9 Position	
	4460226	7	Socket, Female	
10	7019151	AR	Tie-Strap	
11	7019162	1	Spring	
12	Use 7003940	2	Screw (was p/n 7003969)	
13	7003941	2	Washer	
14	7019158	1	Plate, Mounting (Left Side)	
15	7019115	2	Stand-Off	
16	Use 1600273	1	Shaft 8mm (Note: Not Available for Purchase)	
17	7019111	2	Bearing	
18	7019110	2	Spacer, Head Gear	
19	7019112	1	Washer	
20	7003946	1	Spring, Return	
21	7019103	4	Pin	
22	See Note	1	Rivet (Note: Not Available - Purchase Locally)	
23	7019168	1	Plate, Mounting (Right Side)	
24	7003992	1	Washer	
25	7003993	1	Nut	
26	7003935	1	Gear, Slave	
27	7019160	1	Base	
	1001118418	Ref	Controller Assembly (Service Replacement)	B
101	70002724	1	Boot & Control Lock Assembly	
102	7003941	2	Washer	
103	70002725	2	Screw	
104	7019162	1	Spring	
105	70002726	1	Enclosure	
106	70002736	1	Handle Assembly (See Items 201-210 for Breakdown)	
107	70002728	1	Screw	

SECTION 4 PLATFORM

FIGURE 4-5. CONTROLLER ASSEMBLY (DRIVE AND STEER) (CONTINUED)

ITEM #	PART NUMBER	QTY.	DESCRIPTION	REV.
108	Use 1001118418	1	Mechanical Assembly	
109	4460265	1	Plug, Male - 9 Position	
	4460226	7	Socket, Female	
		Ref	HANDLE ASSEMBLIES	
	7022812	Ref	Controller Assembly p/n 1600273	
	70002736	Ref	Controller Assembly p/n 1001118418	
201	7003972	1	Boot, Switch	
202	7003973	2	Half, Handle	
203	7003980	4	Screw	
204	7019167	4	Nut	
205	7019164	1	Axle	
206	7019165	1	Rocker	
207		1	Wiring Assembly Options:	
	7019196		Controller Assembly p/n 1600273	
	7003982	2	Switch, Micro	
	70002737		Controller Assembly p/n 1001118418	
	7003982	2	Switch, Micro	
208	7003983	2	Setscrew	
209	7019194	1	Coupling	
210	7003989	2	Gasket	

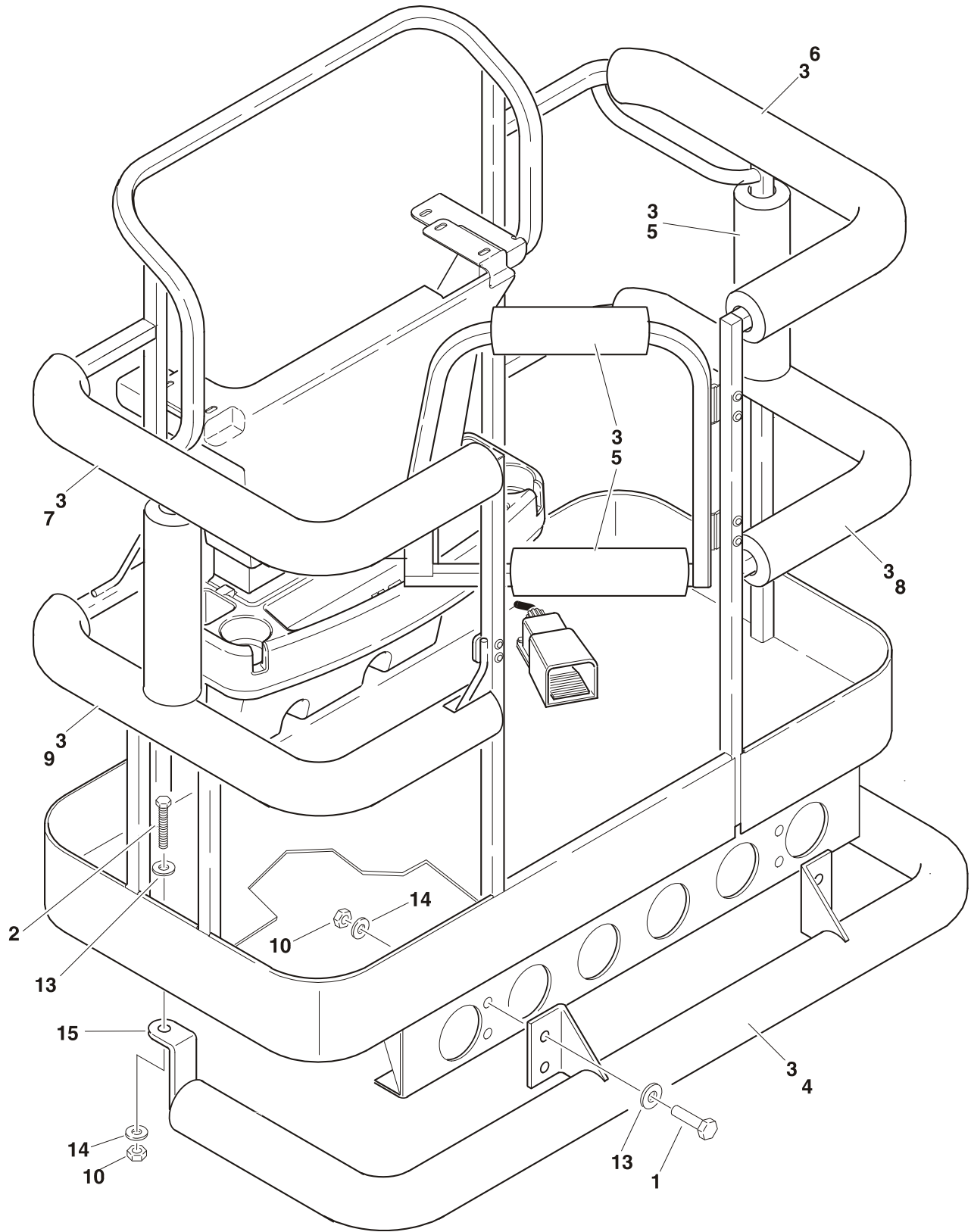
SECTION 4 PLATFORM

FIGURE 4-5. CONTROLLER ASSEMBLY (DRIVE AND STEER) (CONTINUED)

ITEM #	PART NUMBER	QTY.	DESCRIPTION	REV.

SECTION 4 PLATFORM

FIGURE 4-6. PLATFORM PADDING INSTALLATION (FRONT ENTRY PLATFORM)



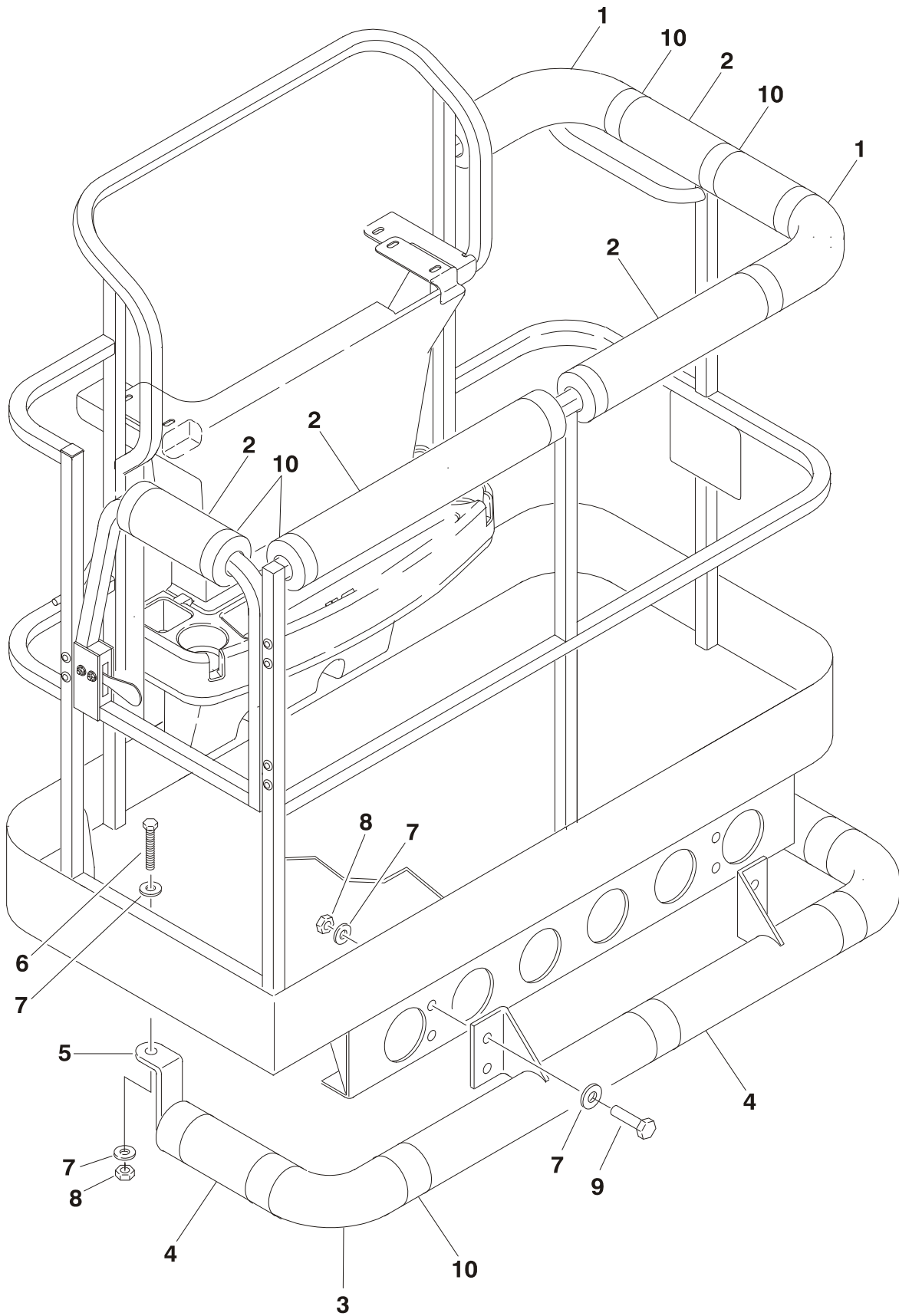
SECTION 4 PLATFORM

FIGURE 4-6. PLATFORM PADDING INSTALLATION (FRONT ENTRY PLATFORM)

ITEM #	PART NUMBER	QTY.	DESCRIPTION	REV.
	0270283	Ref	PLATFORM PADDING INSTALLATION	C
1	0641508	4	Bolt 5/16in-18NC x 1in	
2	0641516	2	Bolt 5/16in-18NC x 2in	
3	0940038	24ft/7.3m	Padding	
4	1670745	1	Cover, Bumper Rail	
5	1670788	4	Cover, Gate	
6	1670966	1	Cover, Right End Top Rail	
7	1670967	1	Cover, Left End Top Rail	
8	1670968	1	Cover, Right End Mid Rail	
9	1670969	1	Cover, Left End Mid Rail	
10	3311501	6	Nut 5/16in-18NC	
11 to 12	Not Used			
13	4751500	6	Flatwasher 5/16in Regular	
14	4761500	6	Lockwasher 5/16in	
15	4844917	1	Rail, Bumper	

SECTION 4 PLATFORM

FIGURE 4-7. PLATFORM PADDING INSTALLATION (SIDE ENTRY PLATFORM)



SECTION 4 PLATFORM

FIGURE 4-7. PLATFORM PADDING INSTALLATION (SIDE ENTRY PLATFORM)

ITEM #	PART NUMBER	QTY.	DESCRIPTION	REV.
		Ref	PLATFORM PADDING INSTALLATION	
	0273381	Ref	30in x 48in Platform	2/A
	0273382	Ref	30in x 60in Platform	2/A
1	0940092	AR	Pad, Corner Bumper Options:	
		2	30in x 48in Platform	
		3	30in x 60in Platform	
2	0940094	AR	Pad, Bumper Options:	
		63in	30in x 48in Platform	
		87in	30in x 60in Platform	
3	0940091	2	Pad, Corner Bumper	
4	0940093	AR	Pad, Bumper Options:	
		51in	30in x 48in Platform	
		66in	30in x 60in Platform	
5		1	Rail, Bumper Options:	
	4846936	51in	30in x 48in Platform	
	4846937	66in	30in x 60in Platform	
6	0641516	2	Bolt 5/16in-18NC x 2in	
7	4751500	6	Flatwasher 5/16in Regular	
8	3311501	6	Nut 5/16in-18NC	
9	0641506	4	Bolt 5/16in-18NC x 3/4in	
10	4420068		Tape, Yellow Safety Options:	
		30ft	30in x 48in Platform	
		34ft	30in x 60in Platform	

SECTION 4 PLATFORM

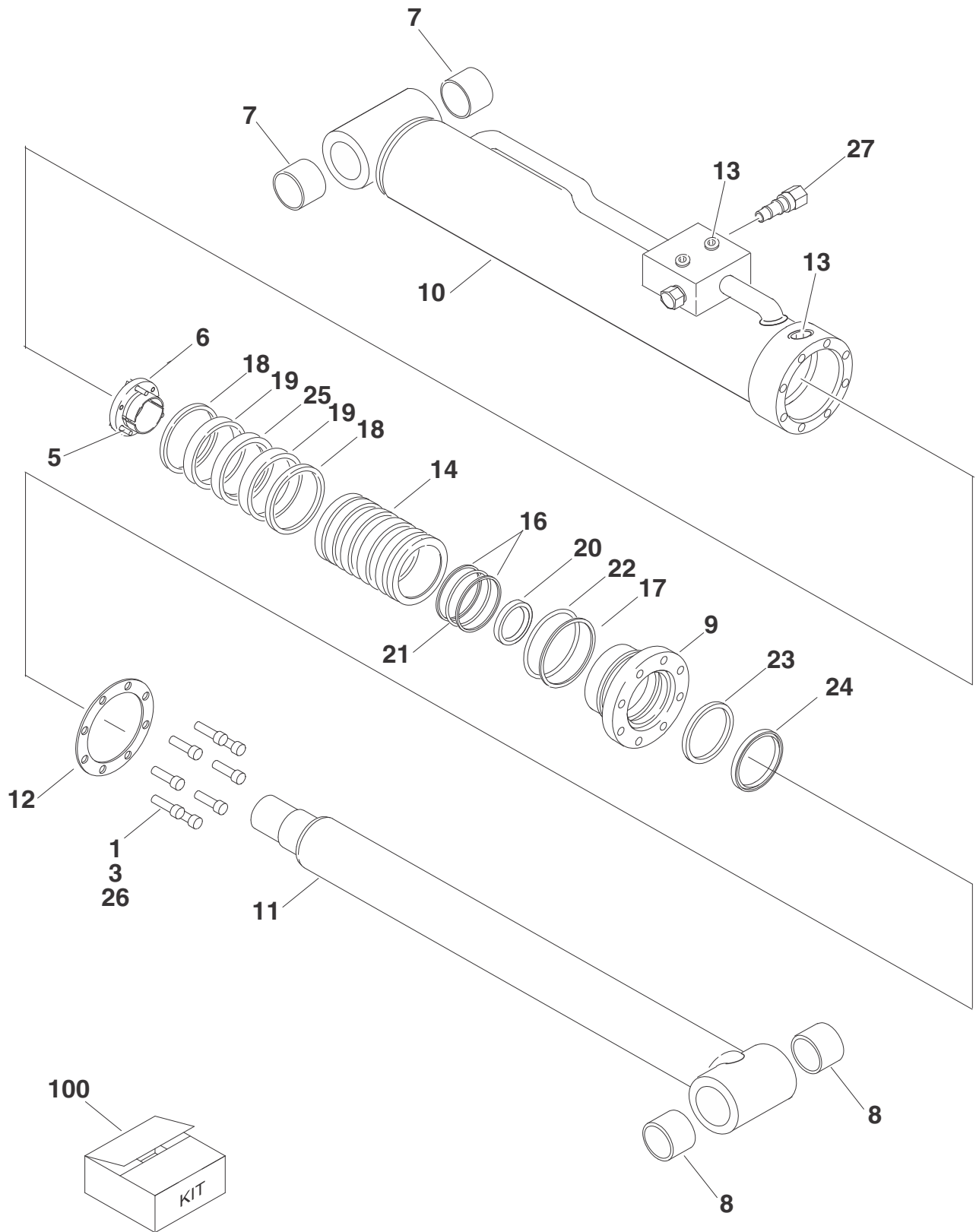
FIGURE 4-7. PLATFORM PADDING INSTALLATION (SIDE ENTRY PLATFORM) (CONTINUED)

ITEM #	PART NUMBER	QTY.	DESCRIPTION	REV.

SECTION 5 CYLINDER

SECTION 5 CYLINDER

FIGURE 5-1. JIB CYLINDER ASSEMBLY (ORIGINAL EQUIPMENT)



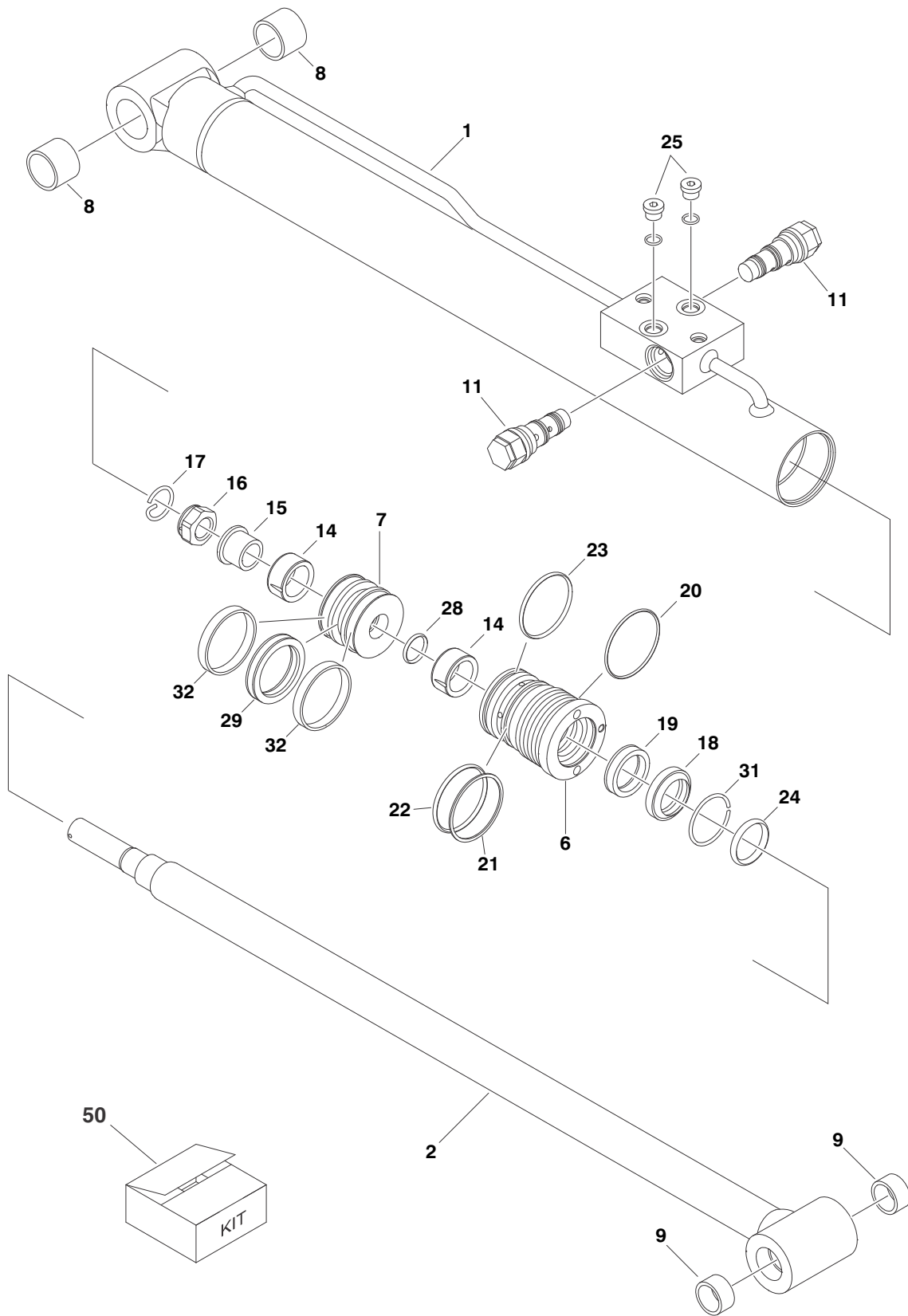
SECTION 5 CYLINDER

FIGURE 5-1. JIB CYLINDER ASSEMBLY (ORIGINAL EQUIPMENT)

ITEM #	PART NUMBER	QTY.	DESCRIPTION	REV.
		Ref	JIB CYLINDER ASSEMBLY	
	1683779	Ref	All Machines except SN 0300058438	G
	1001103695	Ref	SN 0300058438 Only	A
		Ref	Note: Original Equipment component may have been replaced with Service Replacement component. Identify p/n stamped on cylinder before ordering parts.	
1	0100011	AR	Compound, Locking	
2	Not Used			
3	0100038	AR	Primer, Locking	
4	Not Used			
5	0630534	3	Bolt #10-24NC x 1in	
6	0961893	1	Bushing, Tapered	
7	0961947	2	Bearing, Garmax	
8	0961951	2	Bushing, Garmax	
9	1683051	1	Head, Cylinder	
10		1	Barrel Options:	
	1683780		All Machines except SN 0300058438	
	1001103696		SN 0300058438 Only	
11	1683783	1	Rod	
12	3760367	1	Ring, Washer	
13	2220885	3	O-Ring Plug	
14	3480249	1	Piston, Head	
15	Not Used			
16	Use 2902209	2	Ring, Back-Up	
17	Use 2902209	1	Ring, Back-Up	
18	Use 2902209	2	Ring, Seal	
19	Use 2902209	2	Ring, Wear	
20	Use 2902209	1	Ring, Wear	
21	Use 2902209	1	O-Ring	
22	Use 2902209	1	O-Ring	
23	Use 2902209	1	Seal	
24	Use 2902209	1	Ring, Wiper	
25	Use 2902209	1	Seal	
26	3931516	8	Bolt 5/16in-18NC x 1in	
27	4640509	2	Cartridge, Valve	
	2900792	2	Seal Kit - 4640509 Valve (1 Per Cartridge)	
	4640902	2	Cartridge, Manual Descent (Not Shown) (SN 0300058438 Only)	
	Use 4640902	2	Seal Kit - 4640902 Valve (1 Per Cartridge) (Note: Not Available for Purchase)	
100	2902209	1	----- Seal Kit (Includes Items 16-25)	

SECTION 5 CYLINDER

FIGURE 5-2. JIB CYLINDER ASSEMBLY (SERVICE REPLACEMENT)



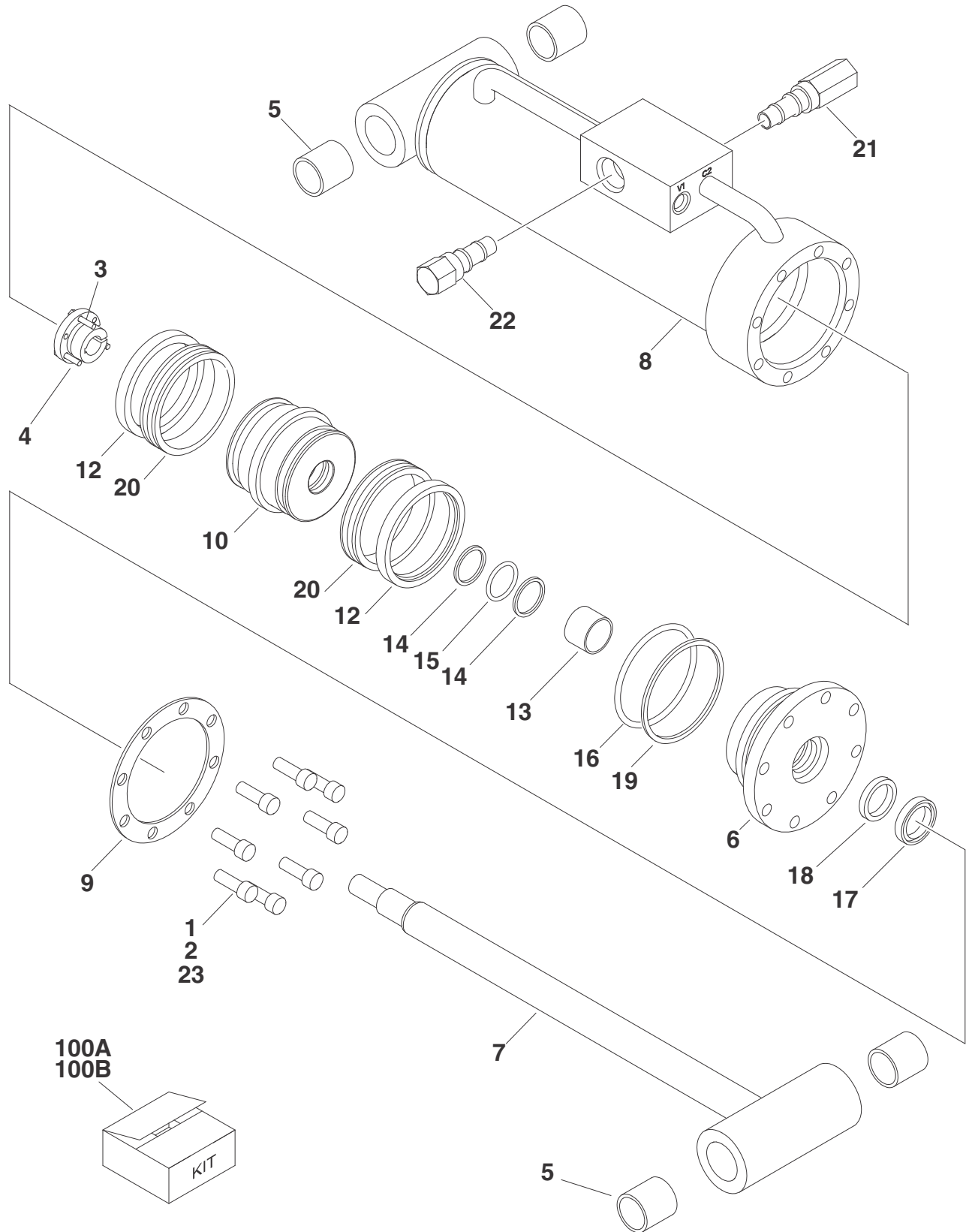
SECTION 5 CYLINDER

FIGURE 5-2. JIB CYLINDER ASSEMBLY (SERVICE REPLACEMENT)

ITEM #	PART NUMBER	QTY.	DESCRIPTION	REV.
	1001140280	Ref Ref	JIB CYLINDER ASSEMBLY Note: Original Equipment component may have been replaced with Service Replacement component. Identify p/n stamped on cylinder before ordering parts.	A
1	70003863	1	Barrel	
2	70003864	1	Rod	
3 to 5	Not Used			
6	7026088	1	Head	
7	70003833	1	Piston	
8	0961951	2	Bushing	
9	0961947	2	Bushing	
10	Not Used			
11	464509	2	Cartridge, Counterbalance Valve	
	2900792	2	Seal Kit - 4640509 Valve	
12 to 13	Not Used			
14	7026090	2	Bushing	
15	7026091	1	Sleeve	
16	7026092	1	Nut	
17	70002223	1	Retainer	
18	Use 70003836	1	Wiper	
19	Use 70003836	1	Seal	
20	Use 70003836	1	O-Ring	
21	Use 70003836	1	Ring, Backup	
22	Use 70003836	1	O-Ring	
23	Use 70003836	1	O-Ring	
24	7026068	1	O-Ring	
25	7024844	2	Plug	
26 to 27	Not Used			
28	Use 70003836	1	O-Ring	
29	Use 70003836	1	Seal	
30	Not Used			
31	70002220	1	Ring, Retaining	
32	Use 70003836	2	Ring, Wear	
33 to 49	Not Used			
50	70003836	1	Seal Kit - 1001140280 Cylinder (Includes Items 18-23, 28, 29 & 32)	

SECTION 5 CYLINDER

FIGURE 5-3. LEVEL (PLATFORM SLAVE) CYLINDER ASSEMBLY (ORIGINAL EQUIPMENT)



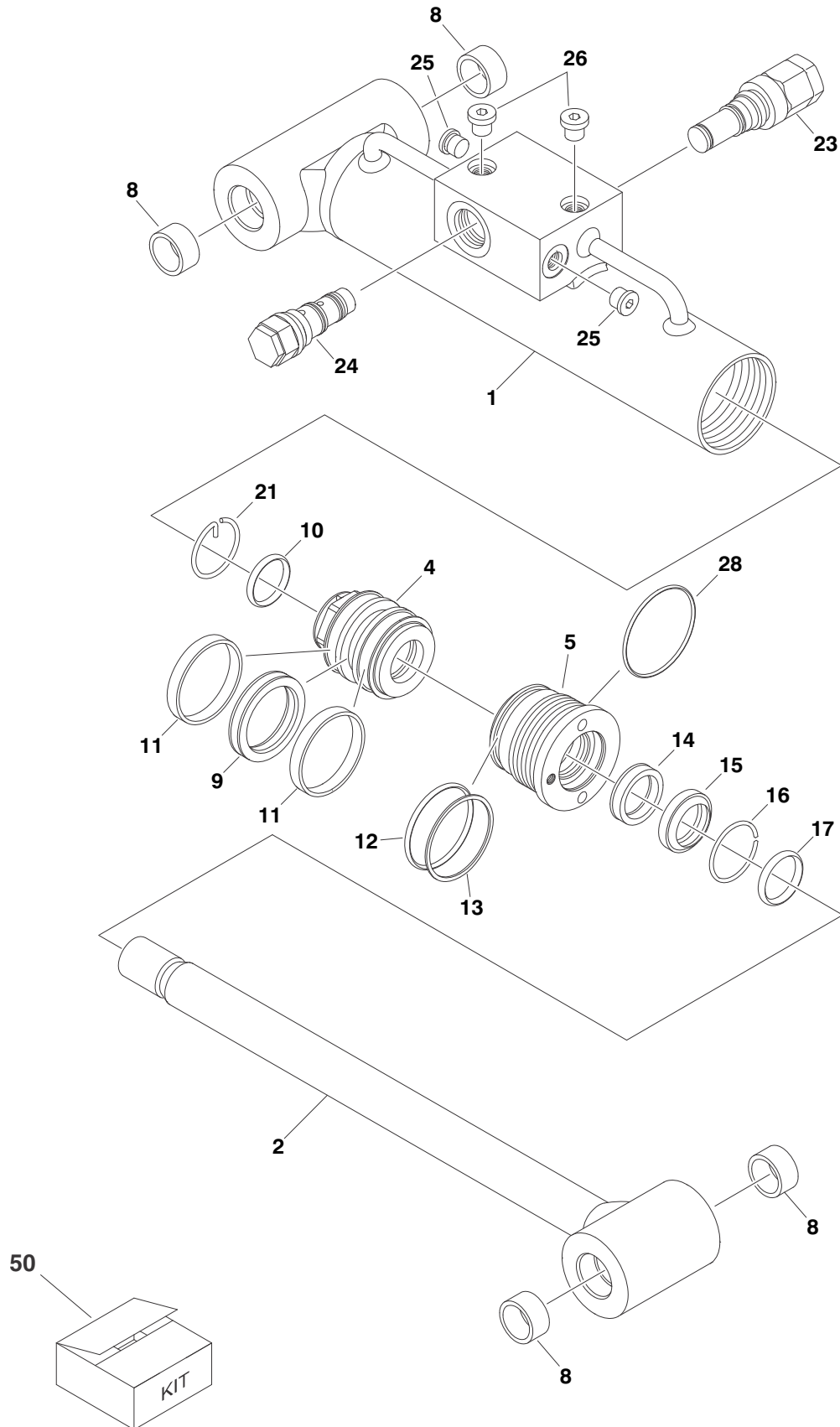
SECTION 5 CYLINDER

FIGURE 5-3. LEVEL (PLATFORM SLAVE) CYLINDER ASSEMBLY (ORIGINAL EQUIPMENT)

ITEM #	PART NUMBER	QTY.	DESCRIPTION	REV.
		Ref	PLATFORM LEVEL CYLINDER ASSEMBLY	
	1683760	Ref	Prior to SN 0300059743	C
	1683924	Ref	SN 0300059743 to SN 0300138358	G
		Ref	Note: Original Equipment component may have been replaced with Service Replacement component. Identify p/n stamped on cylinder before ordering parts.	
1	0100011	AR	Compound, Locking	
2	0100038	AR	Primer, Locking	
3	3931016	3	Bolt, Socket Head #10-24NC x 1in	
4		1	Bushing, Tapered	
	0961900		Prior to SN 0300054155	
	0962185		SN 0300054155 to SN 0300138358	
5	0961951	4	Bushing, Garmax	
6		1	Head	
	1683052		Prior to SN 0300059743	
	1683925		SN 0300059743 to SN 0300138358	
7	1683759	1	Rod	
8	1683761	1	Barrel	
9	3760368	1	Washer, Ring	
10		1	Piston	
	3480247		Prior to SN 0300059743	
	3480259		SN 0300059743 to SN 0300138358	
11	Not Used			
12	See Note	2	Ring, Lock (Note: Use Item 100A or 100B)	
13	See Note	1	Ring, Wear (Note: Use Item 100A or 100B)	
14	See Note	2	Ring, Back-Up (Note: Use Item 100A or 100B)	
15	See Note	1	O-Ring (Note: Use Item 100A or 100B)	
16	See Note	1	O-Ring (Note: Use Item 100A or 100B)	
17	See Note	1	Wiper (Note: Use Item 100A or 100B)	
18	See Note	1	Seal (Note: Use Item 100A or 100B)	
19	See Note	1	Ring, Back-Up (Note: Use Item 100A or 100B)	
20	See Note	2	Seal (Note: Use Item 100A or 100B)	
21	4640932	1	Cartridge, Valve (Counterbalance Vented)	
	7011112	1	Seal Kit - 4640932 Valve	
22	4641086	1	Cartridge, Valve (Counterbalance Nonvented)	
	2900792	1	Seal Kit - 4641086 Valve	
23	3931516	8	Bolt, Socket Head 5/16in-18NC x 1in	
100		1	Seal Kit (Includes Items 12-20)	
100A	2901776		Prior to SN 0300059743	
100B	2901898		SN 0300059743 to SN 0300138358	

SECTION 5 CYLINDER

FIGURE 5-4. LEVEL (PLATFORM SLAVE) CYLINDER ASSEMBLY (SERVICE REPLACEMENT)



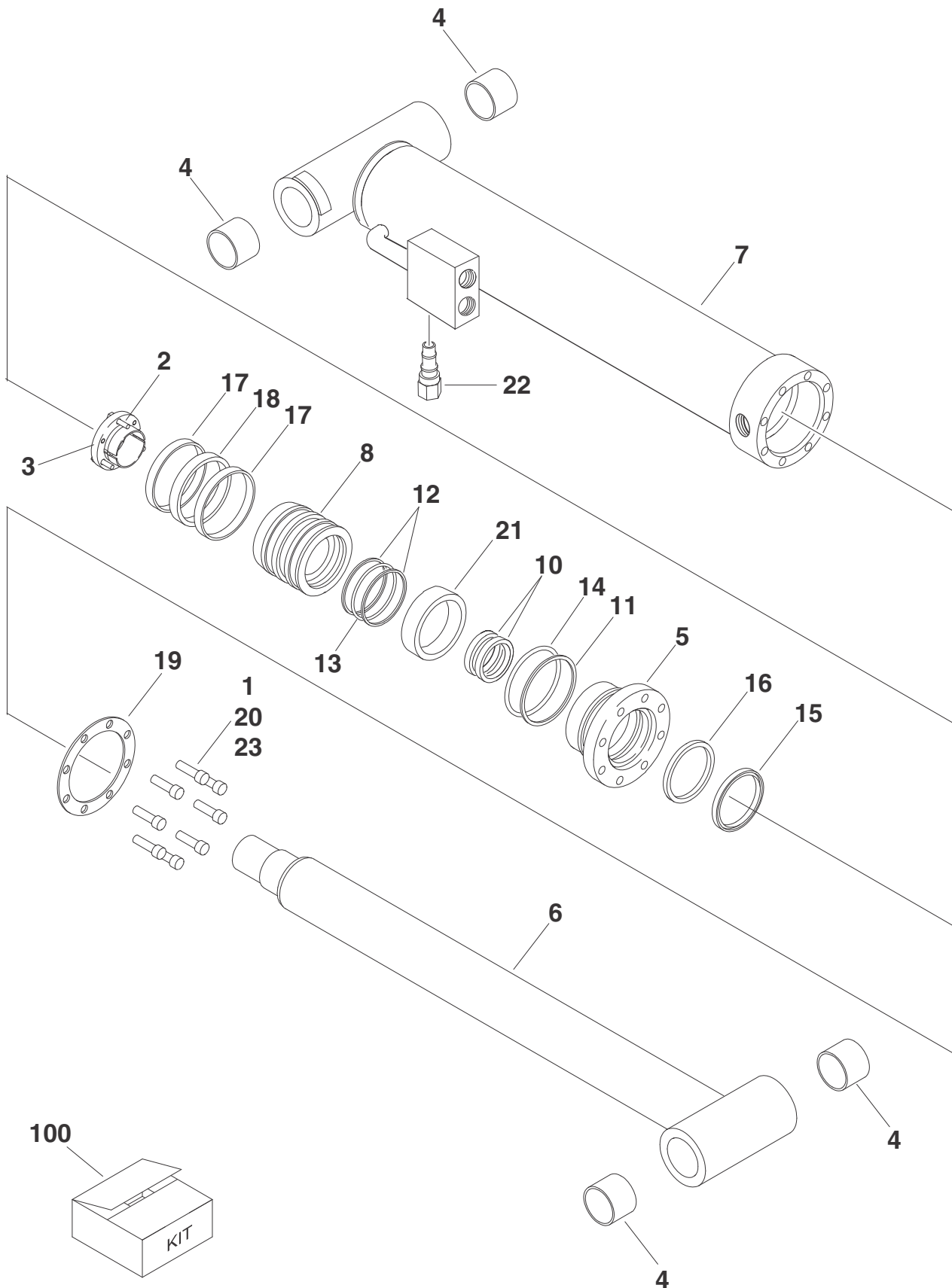
SECTION 5 CYLINDER

FIGURE 5-4. LEVEL (PLATFORM SLAVE) CYLINDER ASSEMBLY (SERVICE REPLACEMENT)

ITEM #	PART NUMBER	QTY.	DESCRIPTION	REV.
	1001140279	Ref Ref	PLATFORM LEVEL CYLINDER ASSEMBLY Note: Original Equipment component may have been replaced with Service Replacement component. Identify p/n stamped on cylinder before ordering parts.	A
1	70003846	1	Barrel	
2	70003847	1	Rod	
3	Not Used			
4	70003819	1	Piston	
5	7026082	1	Head	
6 to 7	Not Used			
8	0961951	4	Bushing	
9	Use 70003845	1	Seal	
10	Use 70003845	1	O-Ring	
11	Use 70003845	2	Ring, Wear	
12	Use 70003845	1	O-Ring	
13	Use 70003845	1	Ring, Back-up	
14	Use 70003845	1	Seal	
15	Use 70003845	1	Wiper	
16	70002217	1	Ring, Retaining	
17	7026084	1	O-Ring	
18 to 20	Not Used			
21	70002216	1	Retainer	
22	Not Used			
23	4640932	1	Cartridge, Counterbalance Valve	
	7011112	1	Seal Kit - 4640932 Valve	
24	4641086	1	Cartridge, Counterbalance Valve	
	2900792	1	Seal Kit - 4641086 Valve	
25	7024844	2	Plug	
26	See Note	2	Plug (Note: Not Available for Purchase)	
27	Not Used			
28	Use 70003845	1	O-Ring	
29 to 49	Not Used			
50	70003845	1	Seal Kit (Includes Items 9-15 & 28)	

SECTION 5 CYLINDER

FIGURE 5-5. LIFT CYLINDER ASSEMBLY - MAIN BOOM



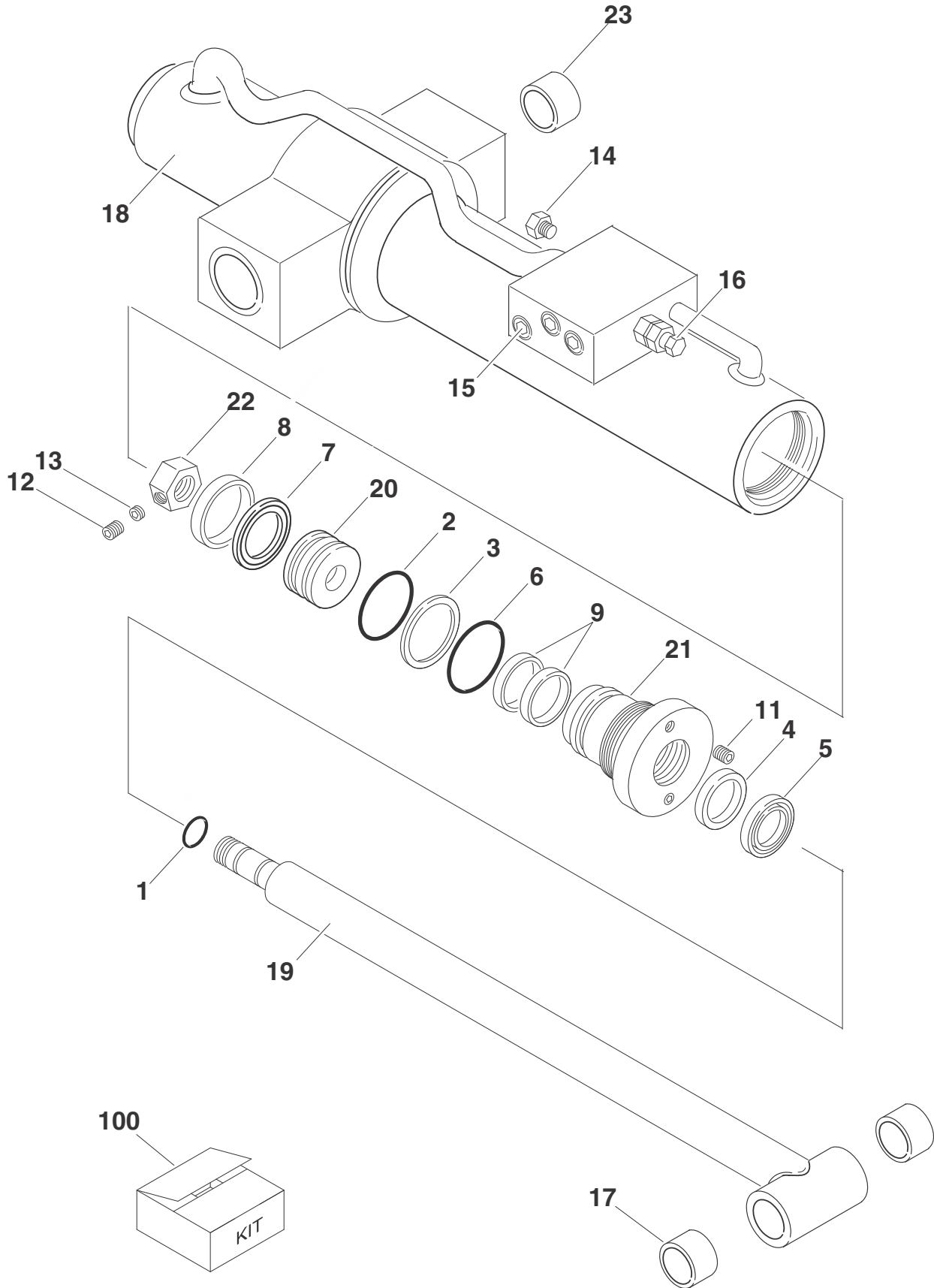
SECTION 5 CYLINDER

FIGURE 5-5. LIFT CYLINDER ASSEMBLY - MAIN BOOM

ITEM #	PART NUMBER	QTY.	DESCRIPTION	REV.
		Ref	LIFT CYLINDER ASSEMBLY- MAIN BOOM	
	1683750	Ref	E300A	E
	1683762	Ref	E300AJ	F
1	0100011	AR	Compound, Locking	
2	0630535	3	Bolt 1/4in-20NC x 1in	
3	0961896	1	Bushing, Tapered	
4	0961948	4	Bushing, Garmax	
5	1683056	1	Head	
6			Rod Options:	
	1683752	1	E300A	
	1683766	1	E300AJ	
7			Barrel Options:	
	1683754	1	E300A	
	1683764	1	E300AJ	
8	3480248	1	Piston	
9	Not Used			
10	Use 2901773	2	Ring, Wear	
11	Use 2901773	1	Ring, Back-Up	
12	Use 2901773	2	Ring, Back-Up	
13	Use 2901773	1	O-Ring	
14	Use 2901773	1	O-Ring	
15	Use 2901773	1	Wiper	
16	Use 2901773	1	Seal	
17	Use 2901773	2	Ring, Wear	
18	Use 2901773	1	Cap	
19	3760369	1	Washer, Ring	
20	3931620	8	Bolt, Socket Head 3/8in-16NC x 1-1/4in	
21	4567810	1	Spacer, Tube	
22	4640999	1	Cartridge, Valve (Counterbalance Non-vented)	
	7011185	1	Seal Kit-4640999 Valve	
23	0100038	AR	Primer, Locking	
100	2901773	1	----- Seal Kit (Includes Items 10-18)	

SECTION 5 CYLINDER

FIGURE 5-6. LIFT CYLINDER ASSEMBLY - TOWER BOOM



SECTION 5 CYLINDER

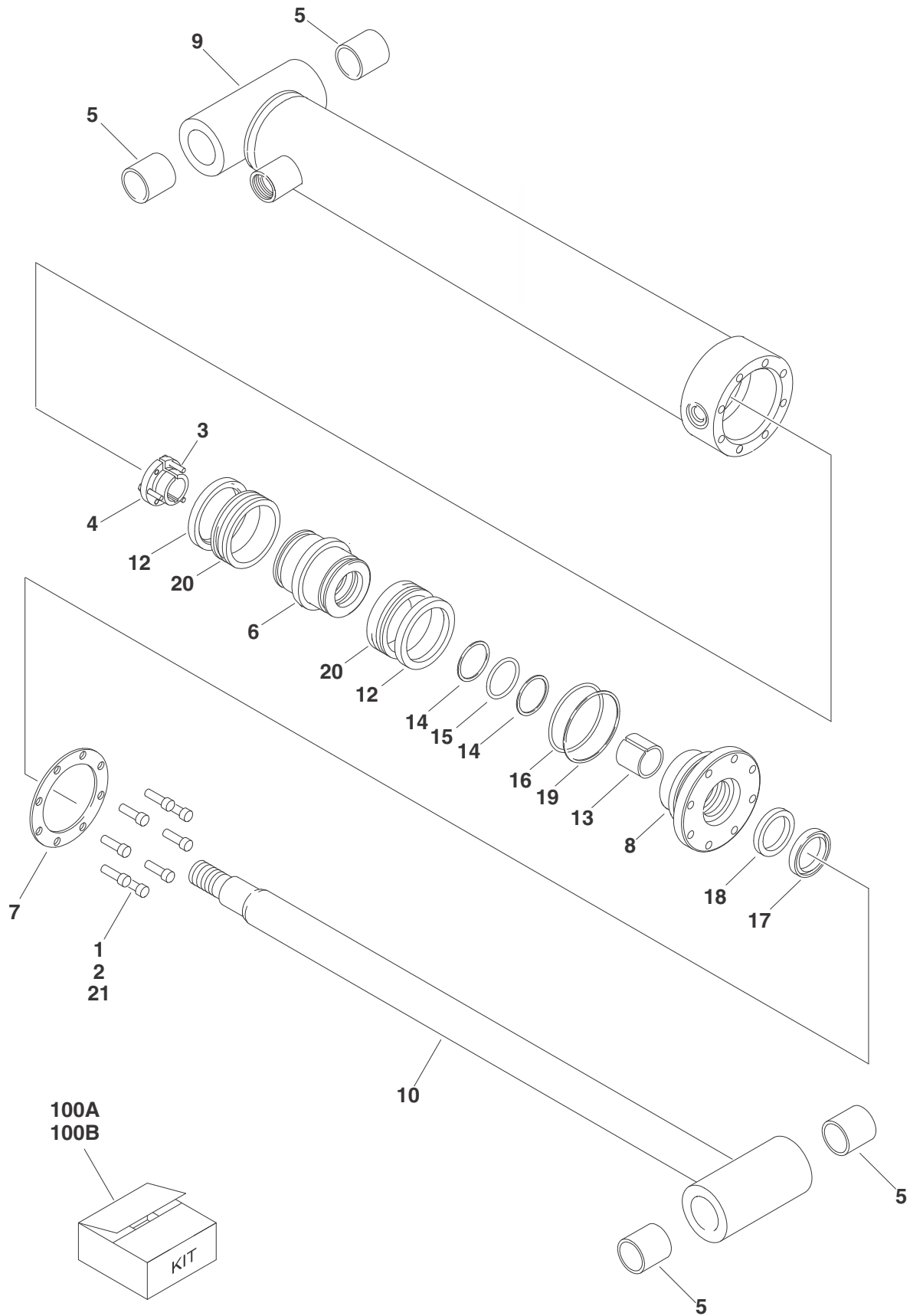
FIGURE 5-6. LIFT CYLINDER ASSEMBLY - TOWER BOOM

ITEM #	PART NUMBER	QTY.	DESCRIPTION	REV.
	1683719	Ref	LIFT CYLINDER ASSEMBLY- TOWER BOOM	E
1	Use 7019859	1	O-Ring	
2	Use 7019859	1	O-Ring	
3	Use 7019859	1	Ring, Back-Up	
4	Use 7019859	1	Seal	
5	Use 7019859	1	Wiper	
6	Use 7019859	1	O-Ring	
7	Use 7019859	1	Seal	
8	Use 7019859	1	Ring, Wear	
9	Use 7019859	2	Ring, Wear	
10	Not Used			
11	7019864	2	Setscrew	
12	7003225	1	Setscrew	
13	7003223	1	Plug, Nylon	
14	7005358	2	Plug	
15	7005365	3	Plug	
16	7011381	1	Cartridge, Valve	
	2900770	1	Seal Kit - 7011381 Valve	
17	0961951	2	Bushing	
18	Use 1683719	1	Barrel (Note: Not Available for Purchase)	
19	7019863	1	Rod	
20	7019862	1	Piston	
21	7019861	1	Head	
22	7019860	1	Locknut	
23		2	Bushing options:	
	0961951		Bushing Prior to SN 0300052569	
	0961951		Bushing SN 0300052569 to SN0300138358	

100	7019859	1	Seal Kit - 1683719 Cylinder (Includes Items 1-9)	

SECTION 5 CYLINDER

FIGURE 5-7. MASTER CYLINDER ASSEMBLY (ORIGINAL EQUIPMENT)



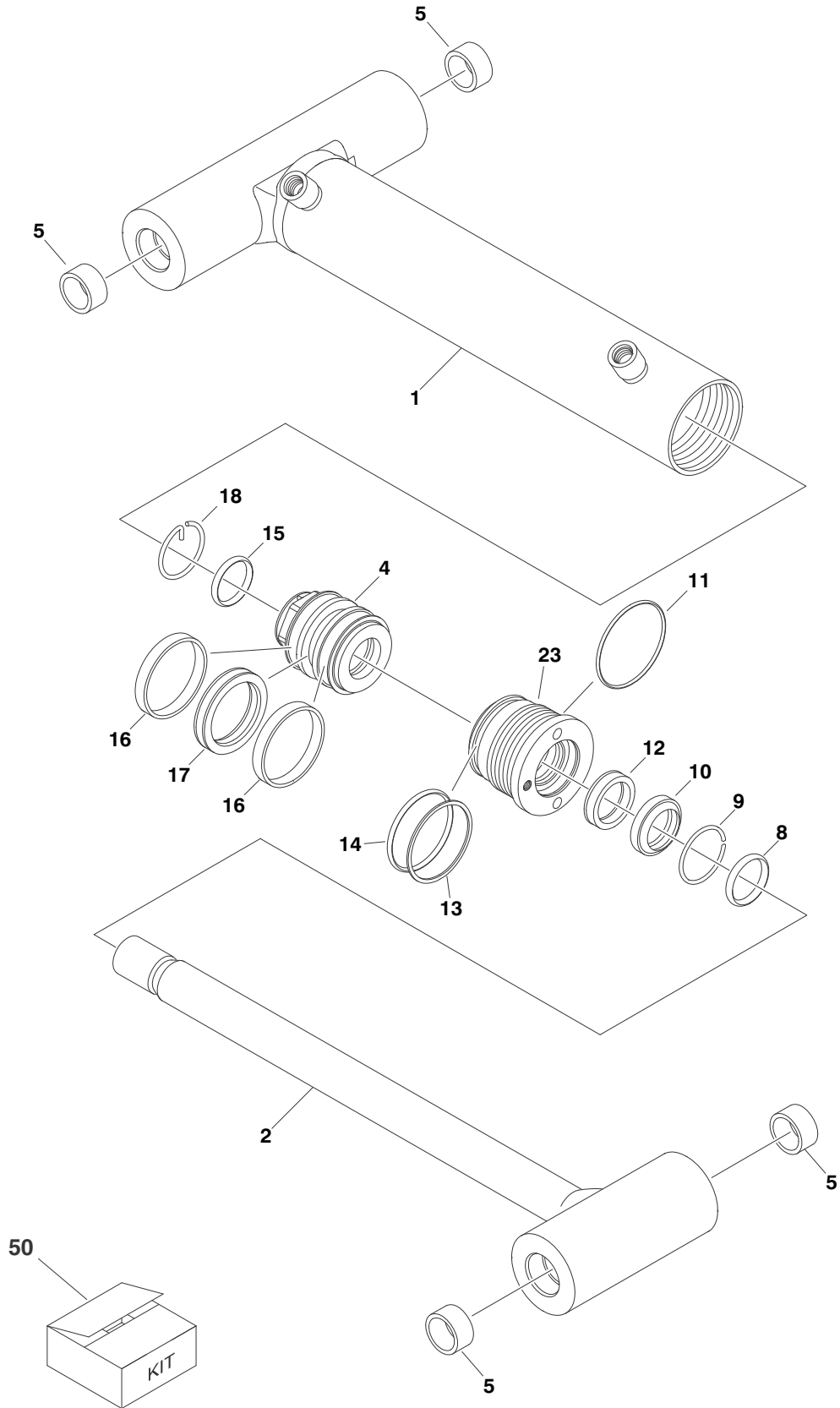
SECTION 5 CYLINDER

FIGURE 5-7. MASTER CYLINDER ASSEMBLY (ORIGINAL EQUIPMENT)

ITEM #	PART NUMBER	QTY.	DESCRIPTION	REV.
		Ref	MASTER CYLINDER ASSEMBLY	
		Ref	E300A	
	1683757	Ref	Prior to SN 0300059743	A
	1684065	Ref	SN 0300059743 to SN 0300138358	B
		Ref	E300AJ	
	1683773	Ref	Prior to SN 0300059743	C
	1683923	Ref	SN 0300059743 to SN 0300138358	E
		Ref	Note: Original Equipment component may have been replaced with Service Replacement component. Identify p/n stamped on cylinder before ordering parts.	
1	0100011	AR	Compound, Locking	
2	0100038	AR	Primer, Locking	
3	3931016	3	Bolt Socket Head #10-24NC x 1in	
4		1	Bushing, Tapered Options:	
	0961900		Prior to SN 0300054155	
	0962185		SN 0300054155 to SN 0300138358	
5	0961951	4	Bushing, Garmax	
6		1	Piston Options:	
	3480247		Prior to SN 0300059743	
	3480259		SN 0300059743 to SN 0300138358	
7	3760368	1	Washer, Ring	
8		1	Head Options:	
	1683052		Prior to SN 030059743	
	1683925		SN 0300059743 to SN 0300138358	
9	1683756	1	Barrel	
10			Rod Options:	
	1683770	1	E300A	
	1683772	1	E300AJ	
11	Not Used			
12	See Note	2	Ring, Lock (Note: Use Item 100A or 100B)	
13	See Note	1	Ring, Wear (Note: Use Item 100A or 100B)	
14	See Note	2	Ring, Back-Up (Note: Use Item 100A or 100B)	
15	See Note	1	O-Ring (Note: Use Item 100A or 100B)	
16	See Note	1	O-Ring (Note: Use Item 100A or 100B)	
17	See Note	1	Wiper (Note: Use Item 100A or 100B)	
18	See Note	1	Seal (Note: Use Item 100A or 100B)	
19	See Note	1	Ring, Back-Up (Note: Use Item 100A or 100B)	
20	See Note	2	Seal (Note: Use Item 100A or 100B)	
21	3931516	8	Bolt Socket Head 5/16in-18NC x 1in	
100		1	Seal Kit Option: (Includes Items 12-20)	
100A	2901776		Prior to SN 0300059743	
100B	2901898		SN 0300059743 to SN 0300138358	

SECTION 5 CYLINDER

FIGURE 5-8. MASTER CYLINDER ASSEMBLY (SERVICE REPLACEMENT)



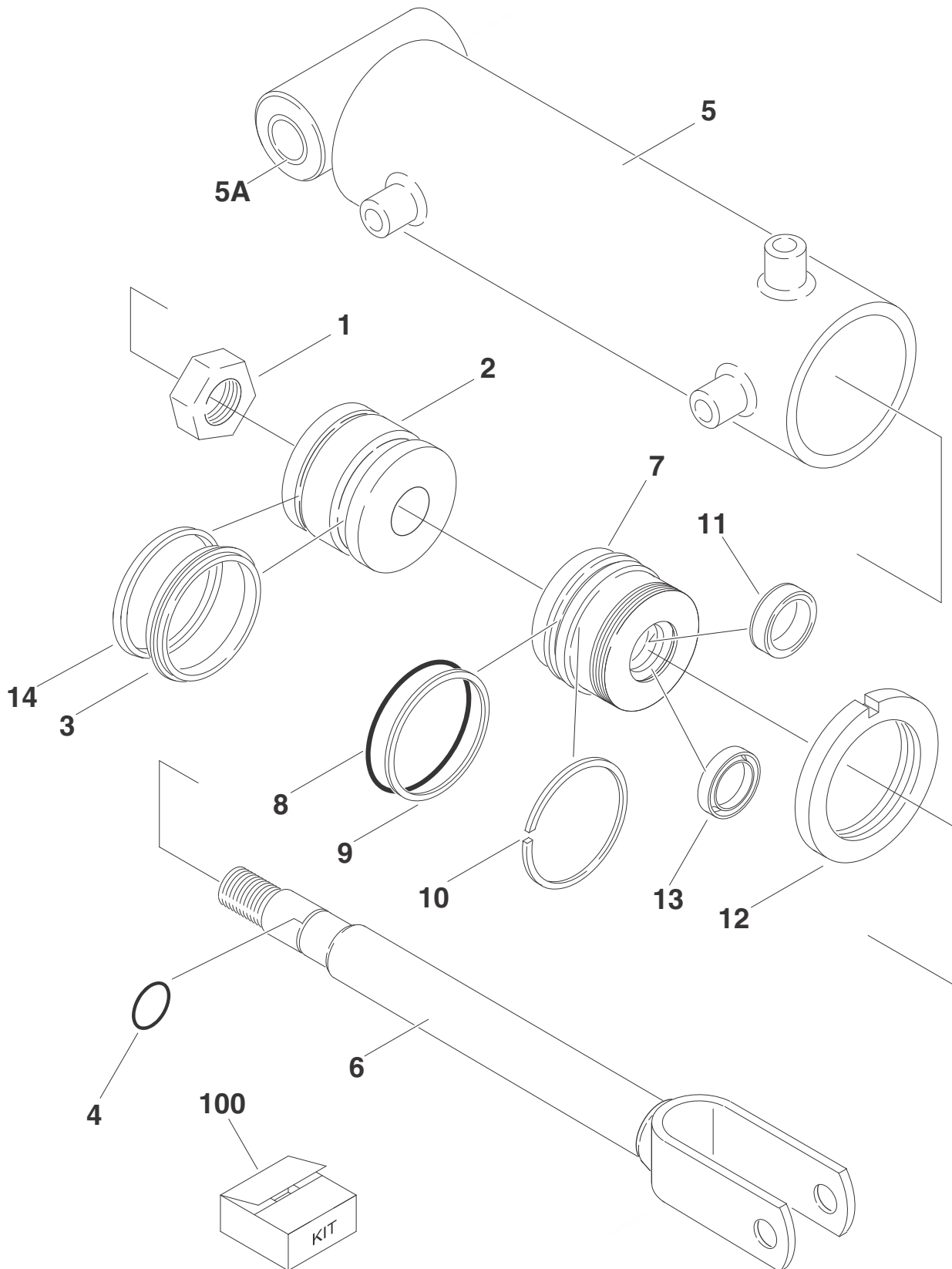
SECTION 5 CYLINDER

FIGURE 5-8. MASTER CYLINDER ASSEMBLY (SERVICE REPLACEMENT)

ITEM #	PART NUMBER	QTY.	DESCRIPTION	REV.
	1001140278	Ref	MASTER CYLINDER ASSEMBLY (FOR E300AJ & E300AJP ONLY) Note: Original Equipment component may have been replaced with Service Replacement component. Identify p/n stamped on cylinder before ordering parts.	A
		Ref		
1	70003843	1	Barrel	
2	70003844	1	Rod	
3	Not Used			
4	70003819	1	Piston	
5	0961951	4	Bushing	
6 to 7	Not Used			
8	7026084	1	O-Ring	
9	70002217	1	Ring, Retaining	
10	Use 70003845	1	Wiper	
11	Use 70003845	1	O-Ring	
12	Use 70003845	1	Seal	
13	Use 70003845	1	Ring, Back-up	
14	Use 70003845	1	O-Ring	
15	Use 70003845	1	O-Ring	
16	Use 70003845	2	Ring, Wear	
17	Use 70003845	1	Seal	
18	70002216	1	Retainer	
19 to 22	Not Used			
23	7026082	1	Head	
24 to 49	Not Used			
50	70003845	1	Seal Kit (Includes Items 10-17)	

SECTION 5 CYLINDER

FIGURE 5-9. STEER CYLINDER ASSEMBLY



SECTION 5 CYLINDER

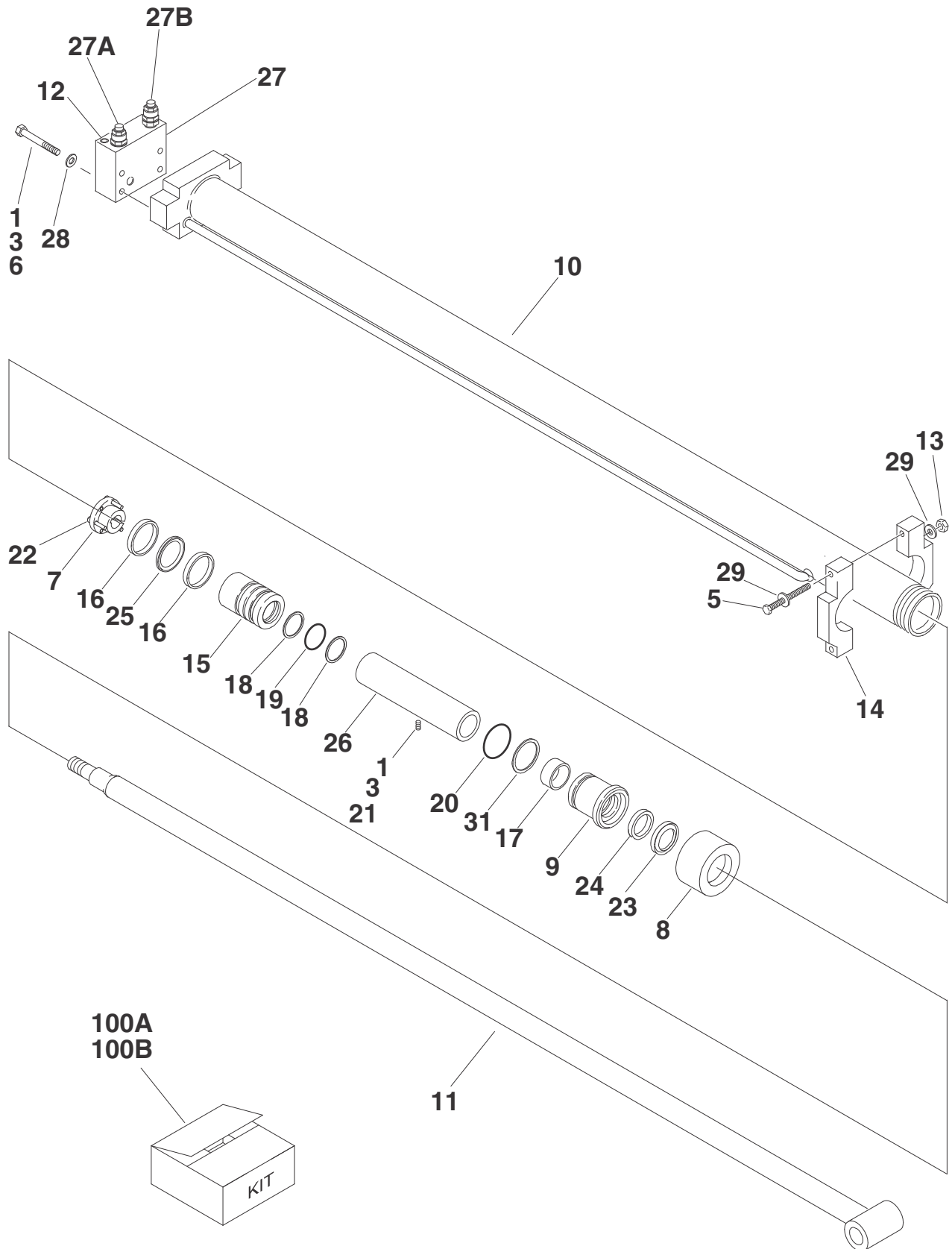
FIGURE 5-9. STEER CYLINDER ASSEMBLY

ITEM #	PART NUMBER	QTY.	DESCRIPTION	REV.
	1683732	Ref	STEER CYLINDER ASSEMBLY	D
1	7017210	1	Locknut	
2	7017253	1	Piston	
3	Use 7017255	1	Seal, Piston	
4	Use 7017255	1	O-Ring	
5	Use 1683732	1	Barrel (Note: Not Available for Purchase)	
5A	7017256	1	Bushing	
6	7017254	1	Rod	
7	7017213	1	Guide	
8	Use 7017255	1	O-Ring	
9	Use 7017255	1	Ring, Back-Up	
10	Use 7017255	1	Ring, Retaining	
11	Use I7017255	1	Seal	
12	7017214	1	Nut	
13	Use I7017255	1	Wiper	
14	Use 7017255	1	Ring, Wear	

100	7017255	1	Seal Kit (Includes Items 3-4, 8-11 & 13-14)	

SECTION 5 CYLINDER

FIGURE 5-10. TELESCOPE CYLINDER ASSEMBLY



SECTION 5 CYLINDER

FIGURE 5-10. TELESCOPE CYLINDER ASSEMBLY

ITEM #	PART NUMBER	QTY.	DESCRIPTION	REV.
		Ref	TELESCOPE CYLINDER ASSEMBLY	
	1683784	Ref	E300A	C
	1683793	Ref	E300AJ	D
	1683864	Ref	E300AJP	F
1	0100011	AR	Compound, Locking	
2	Not Used			
3	0100038	AR	Primer, Locking	
4	Not Used			
5	0641424	2	Bolt 1/4in-20NC x 3in	
6	0641520	4	Bolt 5/16in-18NC x 2-1/2in	
7	0962185	1	Bushing, Tapered	
8	1120110	1	Cap	
9		1	Head Options:	
	1683584		E300A & E300AJ	
	1683863		E300AJP (Prior to SN 0300112424)	
	1683584		E300AJP (SN 0300112424 to SN 0300138358)	
10		1	Barrel Options:	
	1683785		E300A	
	1683789		E300AJ & E300AJP	
11		1	Rod Options:	
	1683786		E300A	
	1683791		E300AJ & E300AJP	
12	2220883	5	Plug, O-Ring	
13	3311405	2	Locknut 1/4in-20NC	
14		2	Pad Options:	
	3340847		E300A & E300AJ	
	3340864		E300AJP	
15		1	Piston Options:	
	3480227		E300A & E300AJ	
	3480254		E300AJP	
16	See Note	2	Ring, Wear (Note: Use Item 100A or 100B)	
17	See Note	1	Ring, Wear (Note: Use Item 100A or 100B)	
18	See Note	2	Ring, Back-Up (Note: Use Item 100A or 100B)	
19	See Note	1	O-Ring (Note: Use Item 100A or 100B)	
20	See Note	1	O-Ring (Note: Use Item 100A or 100B)	
21	3900142	1	Setscrew	
22	0630534	3	Bolt, Socket Head #10-24NC x 1in	
23	See Note	1	Wiper (Note: Use Item 100A or 100B)	
24	See Note	1	Seal (Note: Use Item 100A or 100B)	
25	See Note	1	Seal, Teflon (Note: Use Item 100A or 100B)	
26		1	Spacer, Tube Options:	
	4567839		E300A & E300AJ	
	4567963		E300AJP	
27	4641101	1	Valve Assembly	
27A	4640771	1	Cartridge, Valve	
	2900770	1	Seal Kit-4640771	
27B	4641103	1	Cartridge, Valve	
	2900770	1	Seal Kit-4641103	

SECTION 5 CYLINDER

FIGURE 5-10. TELESCOPE CYLINDER ASSEMBLY (CONTINUED)

ITEM #	PART NUMBER	QTY.	DESCRIPTION	REV.
28	4711500	4	Flatwasher 5/16in Thin	
29	4751400	4	Flatwasher 1/4in Regular	
30	Not Used			
31	See Note	1	Ring, Back-up (Note: Use Item 100A or 100B) -----	
100		1	Seal Kit Options (Includes Items 16-20, 23-25 & 31):	
100A	2901544		E300A & E300AJ	
100B	2901860		E300AJP	

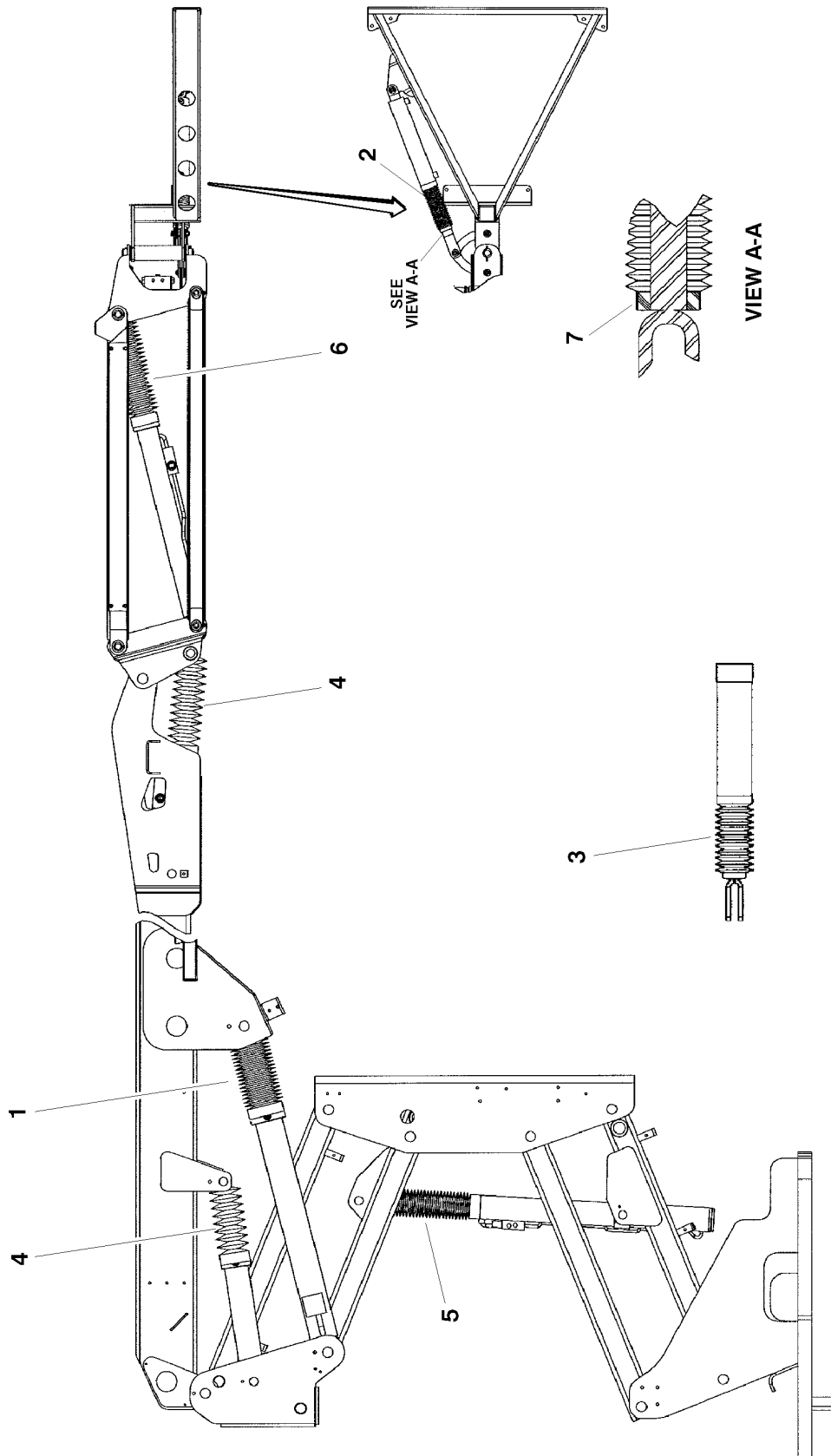
SECTION 5 CYLINDER

FIGURE 5-10. TELESCOPE CYLINDER ASSEMBLY (CONTINUED)

ITEM #	PART NUMBER	QTY.	DESCRIPTION	REV.

SECTION 5 CYLINDER

FIGURE 5-11. CYLINDER BELLOWS INSTALLATIONS



SECTION 5 CYLINDER

FIGURE 5-11. CYLINDER BELLOWS INSTALLATIONS

ITEM #	PART NUMBER	QTY.	DESCRIPTION	REV.
		Ref	CYLINDER BELLOWS INSTALLATIONS	
	0259383	Ref	E300A	A
	0259384	Ref	E300AJ & E300AJP	B
1	0460187	1	Bellows, Cylinder	
2	0460192	1	Bellows, Cylinder (Prior to SN 0300100059)	
3	0460193	1	Bellows, Cylinder	
4	0460194	2	Bellows, Cylinder	
5	0460195	1	Bellows, Cylinder	
6		AR	Bellows, Cylinder Options:	
	Not Required	0	E300A	
	0460196	1	E300AJ & E300AJP	
7	0561364	1	Adaptors, Bellows (Prior to SN 0300100059)	

SECTION 5 CYLINDER

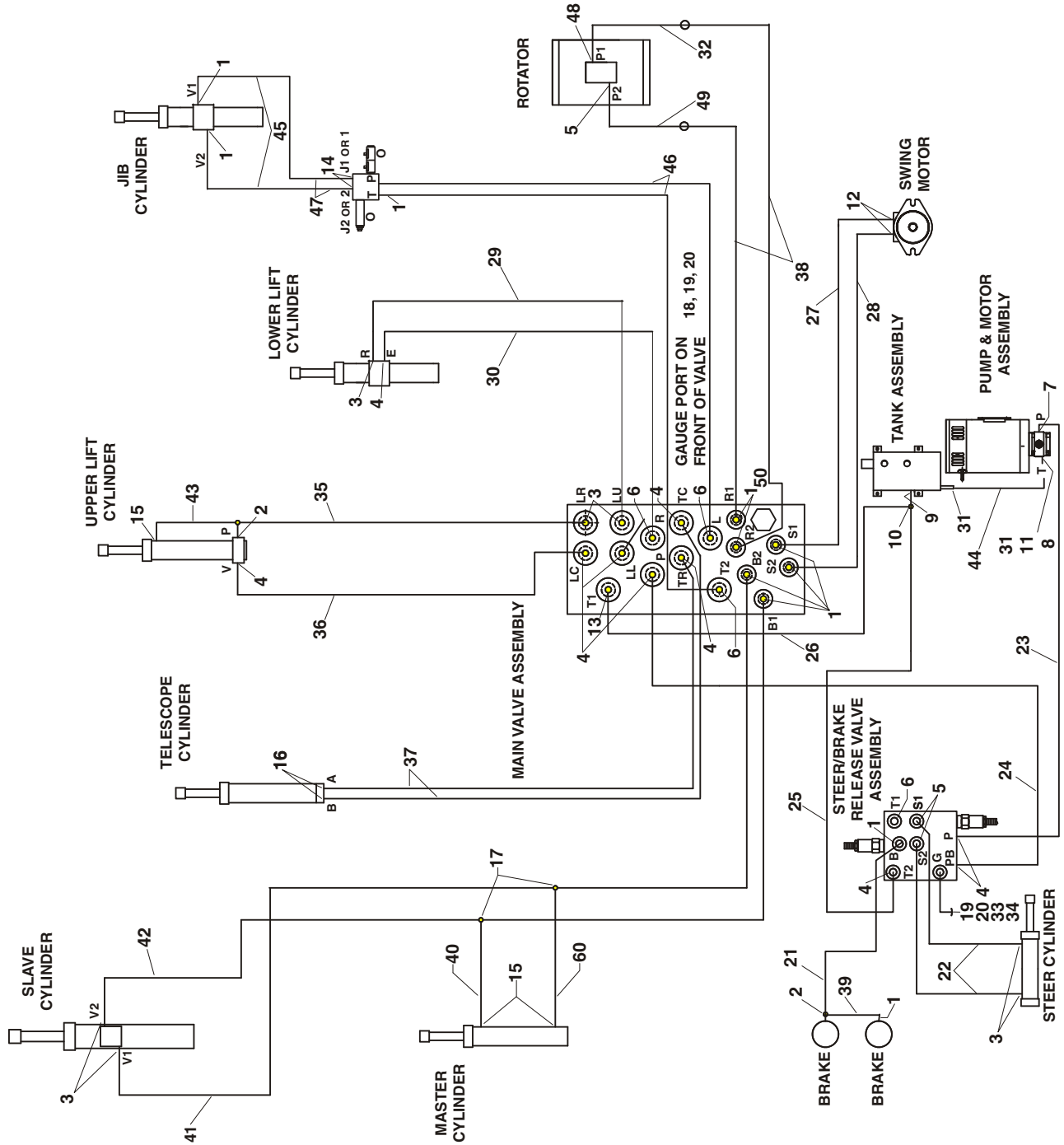
FIGURE 5-11. CYLINDER BELLOWS INSTALLATIONS (CONTINUED)

ITEM #	PART NUMBER	QTY.	DESCRIPTION	REV.

SECTION 6 HYDRAULIC

SECTION 6 HYDRAULIC

FIGURE 6-1. STANDARD HYDRAULIC DIAGRAM (E300A & E300AJ)



SECTION 6 HYDRAULIC

FIGURE 6-1. STANDARD HYDRAULIC DIAGRAM (E300A & E300AJ)

ITEM #	PART NUMBER	QTY.	DESCRIPTION	REV.
		Ref	STANDARD HYDRAULIC DIAGRAM	
		Ref	E300A Options:	
	2792379	Ref	Prior to SN 0300063313	4/E
	2792524	Ref	SN 0300063313 to SN 0300138358	2/C
		Ref	E300AJ Options:	
	2792390	Ref	Prior to SN 0300063314	4/F
	2792525	Ref	SN 0300063314 to SN 0300138358	3/C
1	2220415	AR	Fitting, Straight	
2	2221034	2	Fitting, Tee	
3	2220582	9	Fitting, Straight	
4	2220371	10	Fitting, Straight	
5	2220466	3	Fitting, Elbow	
6	2220237	AR	Fitting, Plug	
7	2220473	1	Fitting, Elbow	
8	2220593	1	Fitting, Straight	
9	2220596	1	Fitting, Elbow	
10	2221035	1	Fitting, Tee	
11	2210008	1	Fitting, Elbow	
12	2221033	2	Fitting, Straight	
13		1	Fitting, Straight Options:	
	2220600		Prior to SN 0300063313	
	2220374		SN 0300063313 to SN 0300138358	
14		AR	Fitting, Elbow Options:	
	Not Required	0	E300A	
	2220502	2	E300AJ	
15	2220472	3	Fitting, Elbow	
16	2220501	2	Fitting, Elbow	
17	2220504	2	Fitting, Tee	
18	2220873	1	Fitting, Straight	
19	2220428	2	Fitting, Straight	
20	2220429	2	Cap, Dust	
21	2752999	1	Hose	
22	2753013	2	Hose	
23	2752472	1	Hose	
24	2752461	1	Hose	
25	2753131	1	Hose	
26	2752504	1	Hose	
27	2753011	1	Hose	
28	2753012	1	Hose	
29	2752591	1	Hose	
30	2753051	1	Hose	
31	1320030	2	Clamp, Hose	
32	2753258	1	Hose	
33	2752435	1	Hose	
34	2220414	1	Fitting, Straight	
35	2753275	1	Hose	
36	2753136	1	Hose	
37	2753137	2	Hose	

SECTION 6 HYDRAULIC

FIGURE 6-1. STANDARD HYDRAULIC DIAGRAM (E300A & E300AJ) (CONTINUED)

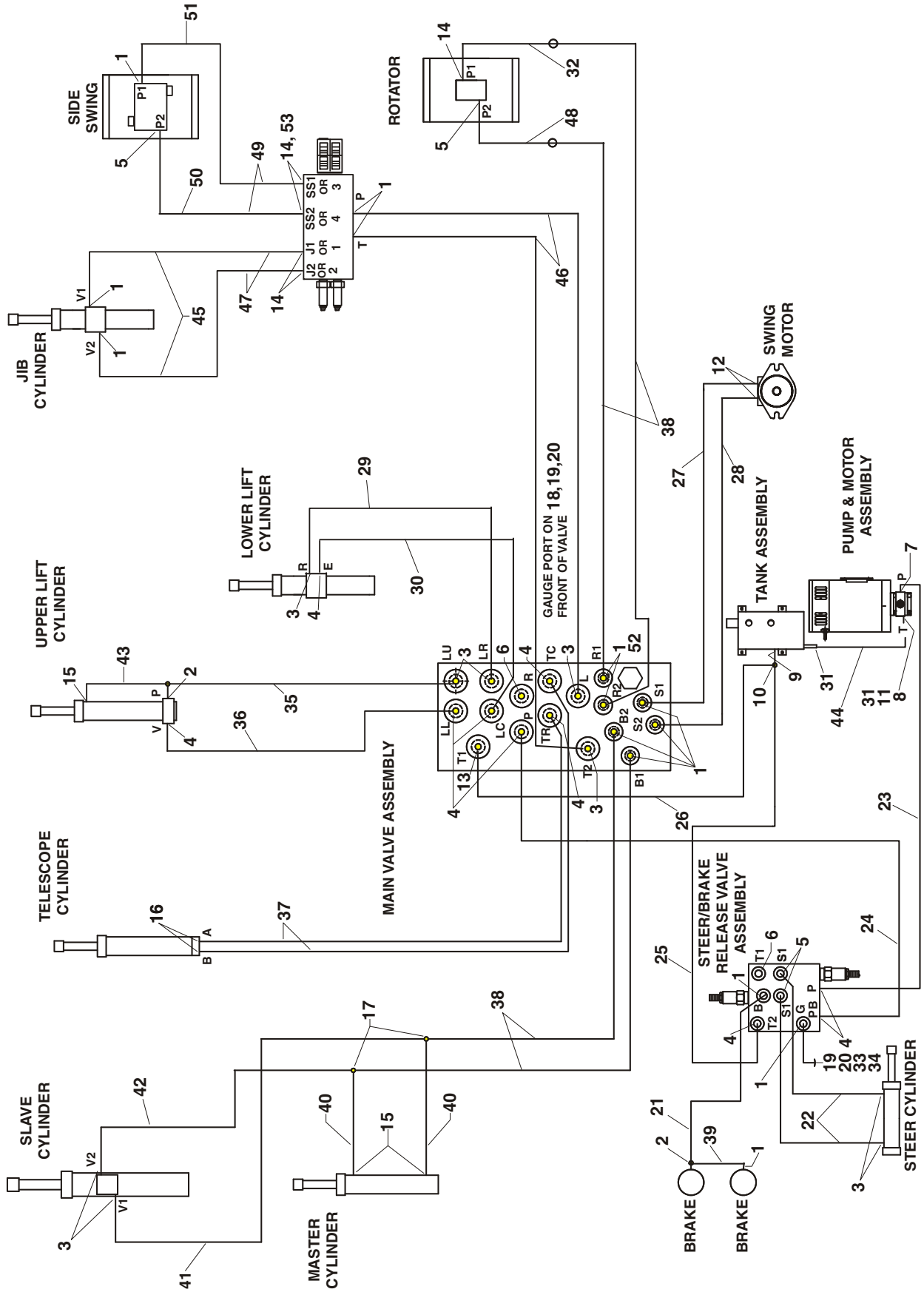
ITEM #	PART NUMBER	QTY.	DESCRIPTION	REV.
38	2753259	4	Hose	
39	2753255	1	Hose	
40	2752575	1	Hose	
41		1	Hose Options:	
	2753276		E300A	
	2753281		E300AJ	
42		1	Hose Options:	
	2753277		E300A	
	2753280		E300AJ	
43		1	Hose Options:	
	2753273		E300A	
	2752433		E300AJ	
44	2720452	9.5in/24cm	Hose, Suction	
45		AR	Hose Options:	
	Not Required	0	E300A	
	2753278	2	E300AJ	
46		AR	Hose Options:	
	Not Required	0	E300A	
	2753274	2	E300AJ	
47		AR	Hose Options:	
	Not Required	0	E300A	
	2753279	2	E300AJ	
48	2220502	1	Fitting, Elbow	
49	2753300	1	Hose	
50	2220909	2	Orifice (.015)	
51 to 59	Not Used			
60		1	Hose Options:	
	2752434		E300A	
	2752575		E300AJ	

FIGURE 6-1. STANDARD HYDRAULIC DIAGRAM (E300A & E300AJ) (CONTINUED)

ITEM #	PART NUMBER	QTY.	DESCRIPTION	REV.

SECTION 6 HYDRAULIC

FIGURE 6-2. STANDARD HYDRAULIC DIAGRAM (E300AJP)



SECTION 6 HYDRAULIC

FIGURE 6-2. STANDARD HYDRAULIC DIAGRAM (E300AJP)

ITEM #	PART NUMBER	QTY.	DESCRIPTION	REV.
		Ref	STANDARD HYDRAULIC DIAGRAM	
		Ref	E300AJP Options:	
	2792392	Ref	Prior to SN 0300063314	4/D
	2792526	Ref	SN 0300063314 to SN 0300138358	3/C
1	2220415	14	Fitting, Straight	
2	2221034	2	Fitting, Tee	
3	2220582	9	Fitting, Straight	
4	2220371	10	Fitting, Straight	
5	2220466	4	Fitting, Elbow	
6	2220237	3	Fitting, Plug	
7	2220473	1	Fitting, Elbow	
8	2220593	1	Fitting, Straight	
9	2220596	1	Fitting, Elbow	
10	2221035	1	Fitting, Tee	
11	2210008	1	Fitting, Elbow	
12	2221033	2	Fitting, Straight	
13		1	Fitting, Straight Options:	
	2220600		Prior to SN 0300063314	
	2220374		SN 0300063314 to SN 0300138358	
14	2220502	5	Fitting, Elbow	
15	2220472	3	Fitting, Elbow	
16	2220501	2	Fitting, Elbow	
17	2220504	2	Fitting, Tee	
18	2220873	1	Fitting, Straight	
19	2220428	2	Fitting, Straight	
20	2220429	2	Cap, Dust	
21	2752999	1	Hose	
22	2753013	2	Hose	
23	2752472	1	Hose	
24	2752461	1	Hose	
25	2753131	1	Hose	
26	2752504	1	Hose	
27	2753011	1	Hose	
28	2753012	1	Hose	
29	2752591	1	Hose	
30	2753051	1	Hose	
31	1320030	2	Clamp, Hose	
32	2753309	1	Hose	
33	2752435	1	Hose	
34	2220414	1	Fitting, Straight	
35	2753275	1	Hose	
36	2753136	1	Hose	
37	2753137	2	Hose	
38	2753259	4	Hose	
39	2753255	1	Hose	
40	2752575	2	Hose	
41	2753281	1	Hose	
42	2753280	1	Hose	

SECTION 6 HYDRAULIC

FIGURE 6-2. STANDARD HYDRAULIC DIAGRAM (E300AJP) (CONTINUED)

ITEM #	PART NUMBER	QTY.	DESCRIPTION	REV.
43	2752433	1	Hose	
44	2720452	9.5in/24cm	Hose, Suction	
45	2753311	2	Hose	
46	2753274	2	Hose	
47	2753279	2	Hose	
48	2753310	1	Hose	
49	2753308	2	Hose	
50	2753307	1	Hose	
51	2753306	1	Hose	
52	2220909	2	Orifice (.015)	
53	2221039	2	Orifice (.022)	

FIGURE 6-2. STANDARD HYDRAULIC DIAGRAM (E300AJP) (CONTINUED)

ITEM #	PART NUMBER	QTY.	DESCRIPTION	REV.

SECTION 6 HYDRAULIC

FIGURE 6-3. HYDRAULIC DIAGRAM LIST

ITEM #	PART NUMBER	QTY.	DESCRIPTION	REV.
		Ref	Note: Diagrams with asterisk (*) are shown in the preceding pages. Information on diagrams not shown is available from JLG Service/Parts Departments.	Ref
		Ref	Standard Hydraulic Diagrams E300A Options: Prior to SN 0300063313 SN 0300063313 to SN 0300138358 E300AJ Options: Prior to SN 0300063314 SN 0300063314 to SN 0300138358 E300AJP Options: Prior to SN 0300063314 SN 0300063314 to SN 0300138358	
	2792379			
	2792524*			
	2792390			
	2792525*			
	2792392			
	2792526*			
		Ref	Standard Hydraulic Schematic Options: E300A Prior to SN 0300063314 SN 0300063314 to SN 0300138358 E300AJ Prior to SN 0300063314 SN 0300063314 to SN 0300138358 E300AJP Prior to SN 0300063314 SN 0300063314 to SN 0300138358	
	2792391			
	2792521			
	2792380			
	2792522			
	2792393			
	2792523			

SECTION 7 ELECTRICAL

SECTION 7 ELECTRICAL

FIGURE 7-1. ELECTRICAL DIAGRAM LIST

ITEM #	PART NUMBER	QTY.	DESCRIPTION	REV.
		Ref	Note: Diagrams with asterisks (*) are shown in the following pages. Diagrams not shown are available from the JLG Service Department.	
	4933075	Ref	ALARM ELECTRICAL DIAGRAM	
	4933100	Ref	DRIVE ELECTRICAL DIAGRAM	
	0259879	Ref	INVERTER ELECTRICAL DIAGRAM	
		Ref	PLATFORM ELECTRICAL DIAGRAMS	
	4933060	Ref	E300A & E300AJ	
	4933105	Ref	E300AJP	
	4933181	Ref	E300A & E300AJ (U/L MACHINES ONLY)	
	4933182	Ref	E300AJP (U/L MACHINES ONLY)	
		Ref	STANDARD ELECTRICAL DIAGRAMS	
	4933080	Ref	Prior to SN 0300099776	
	4933386	Ref	SN 0300099776 to SN 0300138358	
		Ref	STANDARD ELECTRICAL SCHEMATIC	
	1870090	Ref	Prior to SN 0300099776	
	1870225	Ref	SN 0300099776 to SN 0300138358	
	4933099	Ref	VALVE ELECTRICAL DIAGRAM	

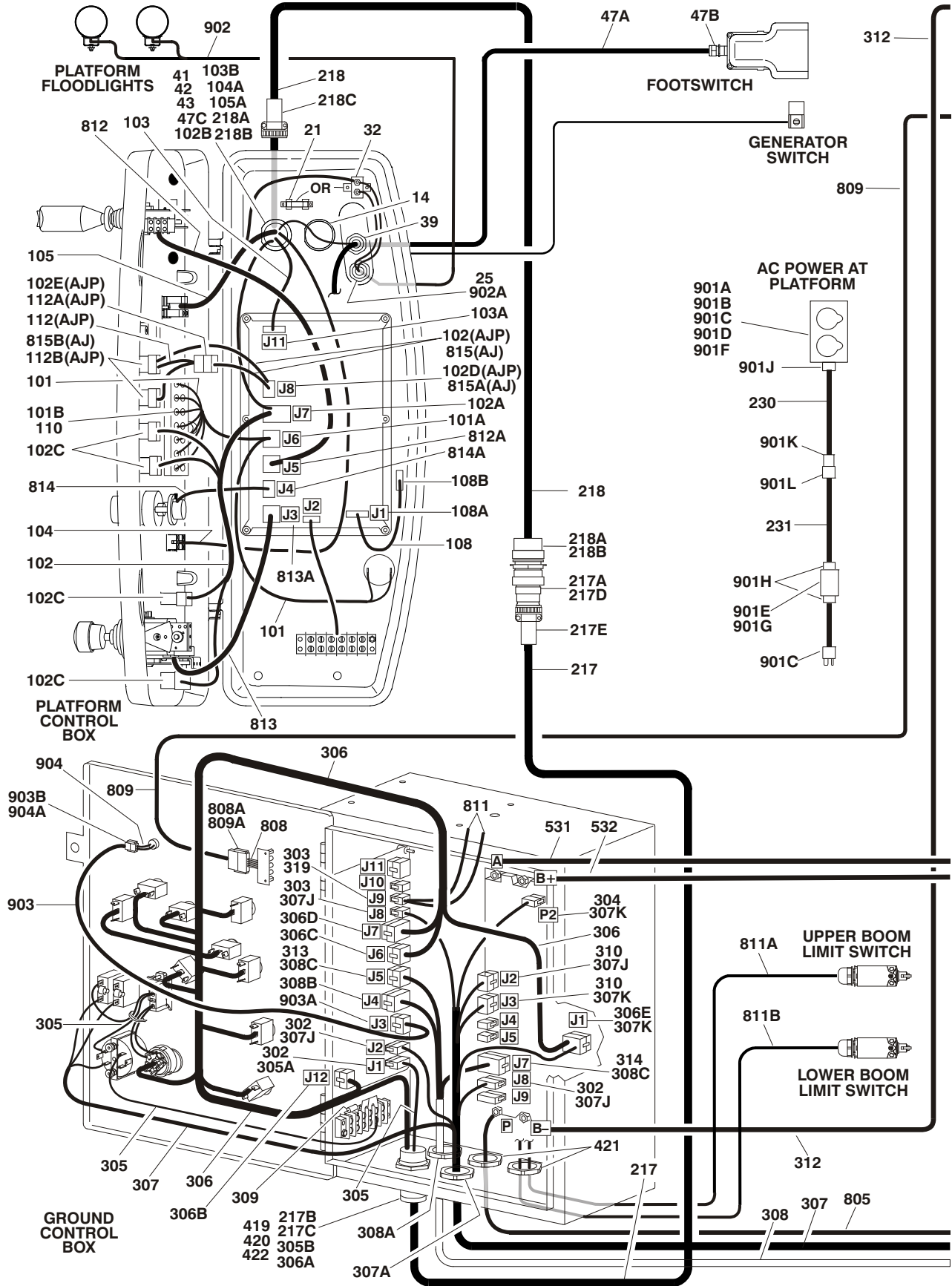
SECTION 7 ELECTRICAL

FIGURE 7-1. ELECTRICAL DIAGRAM LIST (CONTINUED)

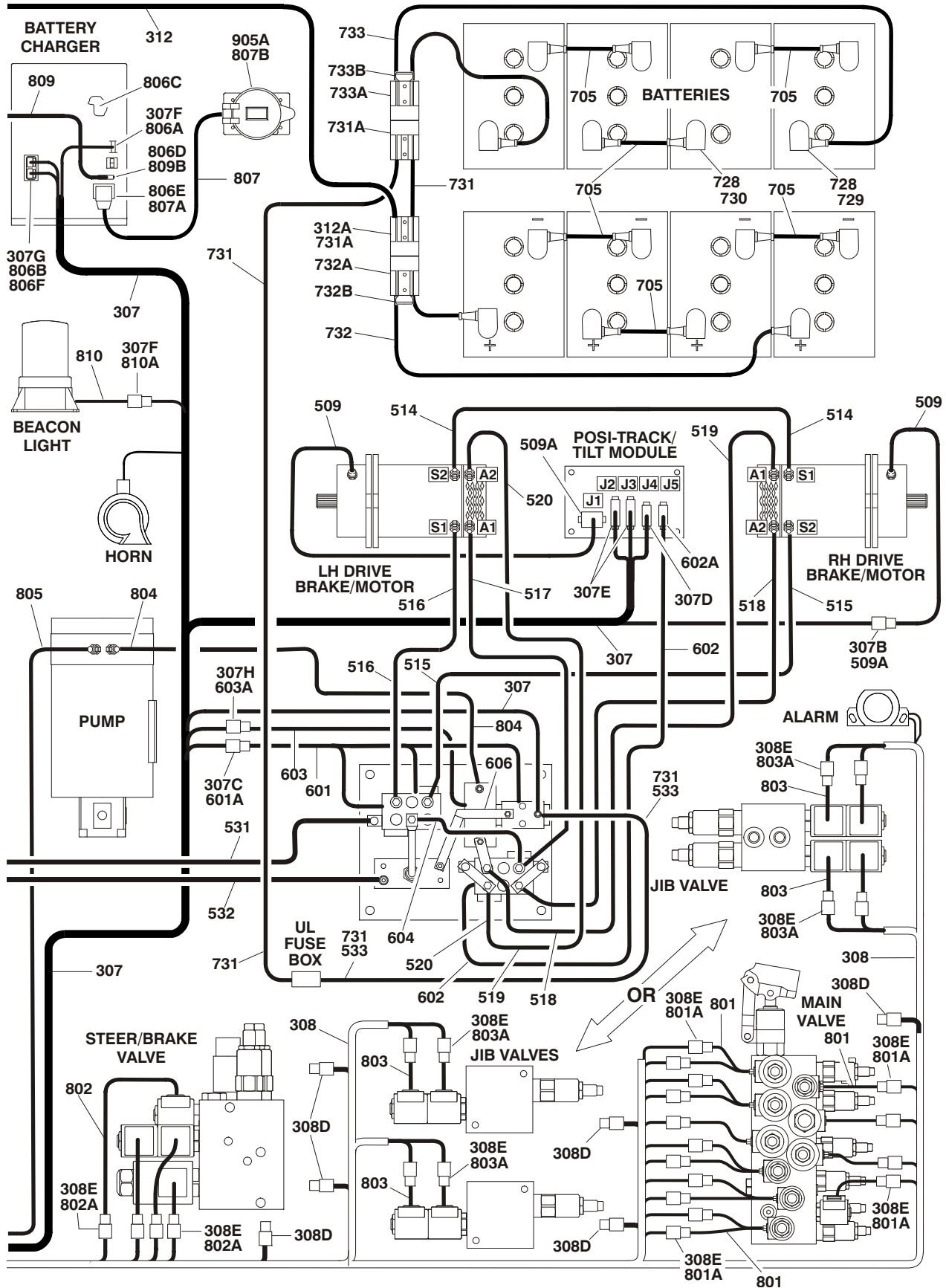
ITEM #	PART NUMBER	QTY.	DESCRIPTION	REV.

SECTION 7 ELECTRICAL

FIGURE 7-2. HARNESS COMPONENTS INSTALLATION



SECTION 7 ELECTRICAL



SECTION 7 ELECTRICAL

FIGURE 7-2. HARNESS COMPONENTS INSTALLATION

ITEM #	PART NUMBER	QTY.	DESCRIPTION	REV.
		Ref	PLATFORM BOX ASSEMBLY COMPONENTS	
		Ref	PRIOR TO SN 0300068944	
	0861176	Ref	E300A & E300AJ	10/H
	0861314	Ref	E300AJP	4/D
	0861452	Ref	E300A & E300AJ (U/L MACHINES ONLY)	1/A
	0861449	Ref	E300AJP (U/L MACHINES ONLY)	1/A
		Ref	SN 0300068944 to SN 0300138358	
	0861529	Ref	E300A & E300AJ	G
	0861532	Ref	E300AJP	E
	0861531	Ref	E300A & E300AJ (U/L MACHINES ONLY)	D
	0861530	Ref	E300AJP (U/L MACHINES ONLY)	D
1 to 13	Not Used			
14	1001110435	1	Plug (was p/n 1671037)	
15 to 20	Not Used			
21	2400067	1	Folder, Fuse (UL Machines Only)	
	2400068	1	Fuse (UL Machines Only)	
15 to 24	Not Used			
25	4360030	1	Plug	
26 to 31	Not Used			
32	4360448		Breaker, Circuit 10A Auto Reset (Non-UL Machines Only)	
33 to 38	Not Used			
39	4460428	1	Connector, Strain Relief	
40	Not Used			
41	4460496	1	Lockwasher, Conduit	
42	4460497	1	Nut, Conduit	
43	4460752	1	Connector - 14 Position	
44 to 45	Not Used			
46		Ref	Wiring Diagram - Platform Control Box Options (See items 101-114 for Breakdown):	
	4933060		E300A & E300AJ	
	4933105		E300AJP	
	4933181		E300A & E300AJ (U/L Machines Only)	
	4933182		E300AJP (U/L Machines Only)	
47	0272971	1	Footswitch Kit	
47A	1060330	7ft/2.2m	Cable, Electrical - 16/3	
47B	4460071	1	Connector, Strain Relief	
47C	4460464	1	Pin, Male	
	4460226	1	Socket, Female (Not Shown)	
		Ref	PLATFORM BOX ELECTRICAL DIAGRAMS	
	4933060	Ref	E300A & E300AJ	5/I
	4933105	Ref	E300AJP	3/E
	4933181	Ref	E300A & E300AJ (U/L MACHINES ONLY)	3/E
	4933182	Ref	E300AJP (U/L MACHINES ONLY)	3/E
101	4922074	1	Harness, Indicator Lamp	5/H
101A	4460265	1	Plug, Male - 9 Position	
	4460227	8	Pin, Male	

SECTION 7 ELECTRICAL

FIGURE 7-2. HARNESS COMPONENTS INSTALLATION (CONTINUED)

ITEM #	PART NUMBER	QTY.	DESCRIPTION	REV.
101B	4120035	7	Socket, Lamp	
	4460634	8	Socket (Single Wire)	
	4460635	6	Socket (Two Wire)	
102		1	Harness, Function Switch Options:	
	4922060		E300A & E300AJ	2/C
	4922303		E300AJP	5/D
102A	4460434	1	Plug, Male - 15 Position	
	4460226	12	Pin, Male	
102B	4460464	2	Pin, Male	
102C	4460418	4	Connector, Female	
	4460419	12	Terminal	
102D	4460225	1	Plug, Male - 6 Position (E300AJP Only)	
	4460227	5	Socket, Female	
102E	4460343	1	Plug, Male - 12 Position (E300AJP Only)	
	4460227	10	Socket, Female	
103	4922071	1	Harness, Can Bus	2/B
103A	4460321	1	Plug, Male - 4 Position	
	4460227	2	Pin, Male	
	4460267	1	Pin, Male	
103B	4460464	3	Pin, Male	
104		1	Harness, Box Horn Options:	
	4922118		Standard Spec Machines	2/B
	4922555		U/L Spec Machines Only	1/A
104A	4460464	1	Pin, Male	
105		1	Harness, Miscellaneous Options:	
	4922157		Standard Spec Machines	4/D
	4922556		U/L Spec Machines Only	B
105A	4460464	AR	Pin, Male	
106 to 107	Not Used			
108	4922160	1	Harness, Analyzer	3/C
108A	4460321	1	Plug, Male - 4 Position	
	4460226	4	Socket, Female	
108B	4460761	1	Connector, Female - 4 Position	
	4460227	4	Pin, Male	
109	Not Used			
110	2920129	AR	Bulb, Light	
111	Not Used			
112	4922307	1	Jib Harness (E300AJP Only)	3/C
112A	4460367	1	Connector, Female - 12 Position	
	4460226	10	Socket, Female	
112B	4460260	6	Connector, Female	
	4460259	6	Terminal	
			Overload Light Harness Assembly	C
113	4922534	1	Harness, Lamp	
113A	2920129	1	Lamp, Display	
113B	4460428	1	Connector, Strain Relief	
114	4460268	1	Terminal, Socket (Not Shown)	

SECTION 7 ELECTRICAL

FIGURE 7-2. HARNESS COMPONENTS INSTALLATION (CONTINUED)

ITEM #	PART NUMBER	QTY.	DESCRIPTION	REV.
		Ref	BOOM CABLES INSTALLATION	
	0259033	Ref	E300A & E300AJ Models	12
	0259623	Ref	E300AJP Models	11
201 to 216	Not Used			
217	4922270	1	Harness Assembly - Tower Boom	4
	1060677	21ft/6.4m	Cable, Electrical - 10/4-18/16	
217A	4460752	1	Connector - 14 Position	
217B	4460465	14	Socket, Female	
217C	4460754	1	Connector - 14 Position	
217D	4460464	14	Pin, Male	
217E	4460492	1	Clamp, Cable	
218	4922273	1	Harness Assembly - Main Boom	4
	1060677	24ft/7.3m	Cable, Electrical	
218A	4460754	2	Connector - 14 Position	
218B	4460465	28	Socket, Female	
218C	4460492	1	Clamp, Cable	
219 to 229	Not Used			
230	1060876	1	AC Cable - 12/3 (Upper) (24ft/7.3m Length of p/n 1060494 Cable):	
231	1060877	1	AC Cable - 12/3 (Lower) (21ft/5.4m Length of p/n 1060494 Cable):	
		Ref	GROUND CONTROL BOX DIAGRAM	
	4933080	Ref	Prior to SN 0300099776	8/L
	4933386	Ref	SN 0300099776 to SN 0300138358	3/C
301	Not Used			
302	4460321	3	Plug, Male - 4 Position	
303	4460320	2	Plug, Male - 2 Position	
	4460227	2	Pin, Male	
304	4460326	1	Plug, Male - 3 Position	
305	4922291	1	Harness, Miscellaneous	4/C
305A	4460321	1	Plug, Male - 4 Position	
	4460227	3	Pin, Male	
305B	4460464	3	Pin, Male	
306		1	Harness Assembly - Ground Control Options:	
	4922237		Prior to SN 0300099776	5/E
	4923614		SN 0300099776 to SN 0300138358	3/C
306A	4460464	7	Pin, Male	
306B	4460225	1	Plug, Male - 6 Position	
	4460226	6	Socket, Female	
306C	4460265	1	Plug, Male - 9 Position	
	4460227	AR	Pin, Male	
306D	4460434	1	Plug, Male - 15 Position	
	4460226	15	Socket, Female	
306E	4460343	1	Plug, Male, 12 Position	
	4460226	7	Socket, Female	
307	4922238	1	Harness Assembly	10/I
307A	4460526	1	Connector, Strain Relief	

SECTION 7 ELECTRICAL

FIGURE 7-2. HARNESS COMPONENTS INSTALLATION (CONTINUED)

ITEM #	PART NUMBER	QTY.	DESCRIPTION	REV.
307B	4460224	1	Connector - 6 Position	5/E
	4460226	4	Socket, Female	
307C	4460224	1	Connector - 6 Position	
	4460227	4	Pin, Male	
307D	4460326	1	Plug, Male - 3 Position	
	4460227	3	Pin, Male	
307E	4460321	2	Plug, Male - 4 Position	
	4460227	6	Pin, Male	
307F	4460320	2	Plug, Male - 2 Position	
	4460226	4	Socket, Female	
307G	4460444	1	Connector, Anderson	
307H	4460445	1	Connector - 3 Position	
	4460227	3	Pin, Male	
307J	4460227	12	Pin, Male	
307K	4460226	10	Socket, Female	
308	4922239	1	Harness Assembly - Main Valve	
308A	4460426	1	Connector, Strain Relief	
308B	4460227	15	Pin, Male	
308C	4460226	14	Socket, Female	
308D	4460744	3	Connector, 6 Position	
	4460746	36	Socket, Female	
	4460745	6	Lock, Secondary	
	4460749	6	Cap, Shell	
	4460750	6	Bar, Buss - 6 Position	
	4460458	33	Seal	
	4460748	3	Plug, Cavity	
308E	4460742	24	Plug, Male - 2 Position	
	4460743	48	Terminal, Female	
	4460458	48	Seal	
309	3990106	1	Limiter, Inrush	
310	4460225	2	Plug, Male - 6 Position	
311	Not Used			
312	1060757	1	Cable, Electrical (Battery -)	
312A	4460025	1	Connector, Anderson	
313	4460265	1	Plug, Male - 9 Position	
314	4460434	2	Plug, Male - 15 Position	
315 to 318	Not Used			
319		2	Pin Options:	
	4460227		Prior to SN 0300099776	
	4460268		SN 0300099776 to SN 0300138358	

SECTION 7 ELECTRICAL

FIGURE 7-2. HARNESS COMPONENTS INSTALLATION (CONTINUED)

ITEM #	PART NUMBER	QTY.	DESCRIPTION	REV.
		Ref	GROUND CONTROL BOX ASSY COMPONENTS	
	0861265	Ref	E300A	I
		Ref	E300AJ	
	0861268	Ref	Prior to SN 0300099776	H
	1810128	Ref	SN 0300099776 to SN 0300138358	B
		Ref	E300AJP	
	0861290	Ref	Prior to SN 0300099776	I
	1810131	Ref	SN 0300099776 to SN 0300138358	B
401 to 418	Not Used			
419	4460496	1	Lockwasher, Terminal	
420	4460497	1	Nut, Terminal	
421	4460526	2	Connector, Strain Relief	
422	4460752	1	Connector - 14 Position	
423 to 431	Not Used			
432		Ref	Wiring Diagram -Ground Control Box Options (See items 301-319 for Breakdown):	
	4933080	Ref	Prior to SN 0300099776	
	4933386	Ref	SN 0300099776 to SN 0300138358	
		Ref	ELECTRICAL COMPONENTS INSTALLATION	
	0258984	Ref	Standard Spec (Prior to SN 0300116217)	K
	0274282	Ref	Standard Spec (SN 0300116217 to SN 0300138358)	B
	0258984	Ref	UL Spec (Prior to SN 0300035281)	K
	0259396	Ref	UL Spec (SN 0300035281 to SN 0300116217)	C
	0274283	Ref	UL Spec (SN 0300116217 to SN 0300138358)	B
501 to 508	Not Used			
509	Use 3990105	2	Speed Sensor Harness (P/N 3990105 Includes Speed Sensor)	
509A	4460225	2	Plug, Male - 6 Position	
	4460226	8	Socket, Female	
510 to 513	Not Used			
514		1	Cable Options:	
	1060732		Standard Machines	
	1060732		UL Machines Prior to SN 0300035281	
	1060767		UL Machines SN 0300035281 to SN 0300138358	
515		1	Cable Options:	
	1060733		Standard Machines	
	1060733		UL Machines Prior to SN 0300035281	
	1060768		UL Machines SN 0300035281 to SN 0300138358	
516		1	Cable Options:	
	1060734		Standard Machines	
	1060734		UL Machines Prior to SN 0300035281	
	1060769		UL Machines SN 0300035281 to SN 0300138358	
517		1	Cable Options:	
	1060735		Standard Machines	
	1060735		UL Machines Prior to SN 0300035281	
	1060770		UL Machines SN 0300035281 to SN 0300138358	

SECTION 7 ELECTRICAL

FIGURE 7-2. HARNESS COMPONENTS INSTALLATION (CONTINUED)

ITEM #	PART NUMBER	QTY.	DESCRIPTION	REV.
518	1060736 1060736 1060771	1	Cable Options: Standard Machines UL Machines Prior to SN 0300035281 UL Machines SN 0300035281 to SN 0300138358	
519	1060737 1060737 1060772	1	Cable Options: Standard Machines UL Machines Prior to SN 0300035281 UL Machines SN 0300035281 to SN 0300138358	
520	1060738 1060738 1060773	1	Cable Options: Standard Machines UL Machines Prior to SN 0300035281 UL Machines SN 0300035281 to SN 0300138358	
521 to 530	Not Used			
531	1060739 1060739 1060862	1	Cable Options: Standard Machines UL Machines Prior to SN 0300035281 UL Machines SN 0300035281 to SN 0300138358	
532	1060740 1060740 1060860	1	Cable Options: Standard Machines UL Machines Prior to SN 0300035281 UL Machines SN 0300035281 to SN 0300138358	
533	Not Required Not Required 1060847	1	Cable Options (UL Fuse Box to Contactor Plate): Standard Machines UL Machines Prior to SN 0300035281 UL Machines SN 0300035281 to SN 0300138358	
	2901818 2901818 2901864	1	Cable Kit Options: Standard Machines (Includes Items 514-520) UL Machines Prior to SN 0300035281 (Includes Items 514-520) UL Machines SN 0300035281 to SN 0300138358 (Includes Items 514-520 & 533)	
	1600294 1600294 1600300	Ref Ref Ref Ref	CONTACTOR PLATE ASSEMBLY Standard Machines UL Machines Prior to SN 0300035281 UL Machines SN 0300035281 to SN 0300138358	E E B
601	7022003 7022008	1 1	Contacting Harness Options: E300A/AJ/AJP (Standard Machines) E300A/AJ/AJP (U/L Machines)	
601A	4460225 4460226	1 6	Plug, Male - 6 Position Socket, Female	
602	7022004	1	Posi-Track Harness	
602A	4460326 4460227	1 3	Plug, Male - 3 Position Pin, Male	
603	7022005	1	Shunt Harness	
603A	4460326 4460226	1 3	Plug, Male - 3 Position Socket, Female	
604	7022012	1	Cable, Power	

SECTION 7 ELECTRICAL

FIGURE 7-2. HARNESS COMPONENTS INSTALLATION (CONTINUED)

ITEM #	PART NUMBER	QTY.	DESCRIPTION	REV.
605	Not Used			
606		1	Shunt/Bus Bar With Harness Assembly	
	70001052		Standard Machines	
	70001052		UL Machines Prior to SN 0300035281	
	See Note		UL Machines SN 0300035281 to SN 0300138358 (Note: Not Available for Purchase)	
		Ref	BATTERIES INSTALLATION	
	0259042	Ref	Standard Machines	J
	0259417	Ref	U/L Machines	E
701 to 704	Not Used			
705	1060092	6	Cable, Battery	
706 to 726	Not Used			
727	0100048	AR	Grease, Dielectric	
728	0100051	AR	Grease, Battery Terminal	
729	0840031	9	Boot - "d" shaped	
730	0840032	7	Boot - "b" shaped	
731		1	Cable, Assembly Options:	
	Use 1060805	1	Prior to SN 0300035281 (was p/n 1060741)	
	1060805		SN 0300035281 to SN 0300138358	
731A	4460025	2	Connector, Anderson	
732	1060742	1	Cable, Battery (Right)	
732A	4460025	1	Connector, Anderson	
732B	1320172	1	Handle	
733	1060743	1	Cable, Battery (Left)	
733A	4460025	1	Connector, Anderson	
733B	1320172	1	Handle	
		Ref	STANDARD HARNESS COMPONENTS	
801	See Note	15	Solenoid Harness - Main Valve (Note: Not Available - Purchase Complete Solenoid)	
801A	See Note	15	Connector, Female - 2 Position (Note: Not Available - Purchase Complete Solenoid)	
	See Note	30	Terminal, Male (Note: Not Available - Purchase Complete Solenoid)	
802	See Note	15	Solenoid Harness - Steer/Brake Valve (Note: Not Available - Purchase Complete Solenoid)	
802A	See Note	15	Connector, Female - 2 Position (Note: Not Available - Purchase Complete Solenoid)	
	See Note	30	Terminal, Male (Note: Not Available - Purchase Complete Solenoid)	
803	See Note	15	Solenoid Harness - Jib Valve (Note: Not Available - Purchase Complete Solenoid)	
803A	See Note	15	Connector, Female - 2 Position (Note: Not Available - Purchase Complete Solenoid)	
	See Note	30	Terminal, Male (Note: Not Available - Purchase Complete Solenoid)	

SECTION 7 ELECTRICAL

FIGURE 7-2. HARNESS COMPONENTS INSTALLATION (CONTINUED)

ITEM #	PART NUMBER	QTY.	DESCRIPTION	REV.
804	1060756	1	Cable, Electrical Options: (Drive - Positive)	
	1060756		ANSI Spec	
	1060863		UL Spec (Prior to SN 0300035281)	
			UL Spec (SN 0300035281 to SN 0300138358)	
805	1060752	1	Cable, Electrical (Drive - Negative)	
	1060752		ANSI Spec	
	1060752		UL Spec (Prior to SN 0300035281)	
	1060861		UL Spec (SN 0300035281 to SN 0300138358)	
806		AR	Battery Charger Components	
806A	7011621	1	Connector, Enable Switch	
806B		1	DC Cord Options:	
	7020644		Cord with 80 or 50 Amp Automotive Fuse	
	7022910		Cord with 45 Amp Fuse	
806C		1	Harness - 17 Position Options:	
	7020645		All Specs except Japanese Spec	
	7020692		Japanese Spec Only	
806D		1	Harness - 4 Position Options:	
	7020646		All Specs except Japanese Spec	
	7020693		Japanese Spec Only	
806E	7020648	1	Plug, AC Inlet	
806F	7011590	1	Connector, DC	
807		1	Cable, Battery Options (Note: Does NOT include Items 807B-807D):	
	1060751		110V/60Hz (ANSI Spec)	
	1060759		110-230V/50-60Hz (ANSI Export Spec Option)	
	1060759		250V/50Hz (ANSI Export Spec Option)	
	1060751		100V/50-60Hz (Japanese Spec)	
807A	See Note	1	Connector, Female (Note: Not Available for Purchase)	
807B		AR	Connector, Strain Relief Options:	
	Not Required	0	110V/60Hz (ANSI Spec)	
	4460428	1	110-230V/50-60Hz (ANSI Export Spec Option)	
	4460428	1	250V/50Hz (ANSI Export Spec Option)	
	Not Required	0	100V/50-60Hz (Japanese Spec)	
807C	4460802	1	Terminal and Cover	
807D		1	Plug Options:	
	4460803		110V/60Hz (ANSI Spec)	
	See Note		110-230V/50-60Hz (ANSI Export Spec Option)	
			(Note: Not Available for Purchase)	
	4460805		250V/50Hz (ANSI Export Spec Option)	
	4460803		100V/50-60Hz (Japanese Spec)	
808	See Note	1	LED Harness (Note: Not Available for Purchase)	
808A	4460321	1	Plug, Male - 4 Position	
	4460227	4	Pin, Male	
809	1060753	1	Cable, LED Remote Lead	
809A	4460321	1	Plug, Male - 4 Position	
	4460226	4	Socket, Female	
809B	4460226	4	Socket, Female	
810	See Note	1	Beacon Light Harness (Note: Not Available for Purchase)	
810A	4460424	1	Receptacle, Female - 2 Position	
	4460226	2	Socket, Female	

SECTION 7 ELECTRICAL

FIGURE 7-2. HARNESS COMPONENTS INSTALLATION (CONTINUED)

ITEM #	PART NUMBER	QTY.	DESCRIPTION	REV.
811	See Note	1	Boom Limit Switches Harness (Note: Not Available for Purchase)	
811A		AR	Cable Options (Upper Limit Switch):	
	1060341	20ft/6m	Prior to SN 0300063766 (Bulk Length)	
	1060881	1	SN 0300063766 to SN 0300138358 (Cut to Required Length)	
811B		AR	Cable (Lower Limit Switch) Options:	
	1060341	17.5ft/5.4m	Prior to SN 0300063766 (Bulk Length)	
	1060880	1	Prior to SN 0300063766 (Cut to Required Length of 17.5ft/5.4m - Less Limit Switch & Strain Relief Connector - See Section 3 for Limit Switch p/n)	
	1060341	6.5ft/2m	SN 0300063766 to SN 0300138358 (Bulk Length -Less Limit Switch & Strain Relief Connector - See Section 3 for Limit Switch p/n)	
	4922598	1	SN 0300063766 to SN 0300138358 (Cut to Required Length of 6.5ft/2m - Includes Limit Switch & Strain Relief Connector)	
812	See Note	1	Controller Harness/Circuit Board Assembly (Drive and Steer) (Note: Not Available for Purchase)	
812A	4460265	1	Plug, Male - 9 Position	
	4460226	7	Socket, Female	
813	See Note	1	Controller Harness Assembly (Lift and Swing) (Note: Not Available for Purchase)	
813A	4460265	1	Plug, Male - 9 Position	
	4460226	8	Socket, Female	
814	See Note	1	Controller Harness Assembly (Speed) (Note: Not Available for Purchase)	
814A	4460225	1	Plug, Male - 6 Position	
	4460226	4	Socket, Female	
815	4922294	1	Jib Harness (E300AJ Only)	1/A
815A	4460225	1	Plug, Male - 6 Position	
	4460227	3	Pin, Male	
815B	4460418	1	Connector, Female	
	4460419	3	Terminal	
		Ref	OPTIONAL HARNESS COMPONENTS	
901			AC to Platform Receptacle Components Options	
	0258303	Ref	110V GFI Receptacle	6/D
	0258305	Ref	220V GFI Receptacle	4/D
	0271449		110V/220V(When Plug & Receptacle Supplied Locally)	1
901A		1	Box, Switch Options:	
	0860038		0258303 & 0258305 Installations	
	See Note		0271449 Installation (Note: Not Available - Purchase Locally)	
901B		1	Receptacle Options:	
	4460346		0258303 Installation (110V GFI)	
	4460125		0258305 Installation (220V GFI)	
	See Note		0271449 Installation (Note: Not Available - Purchase Locally)	

SECTION 7 ELECTRICAL

FIGURE 7-2. HARNESS COMPONENTS INSTALLATION (CONTINUED)

ITEM #	PART NUMBER	QTY.	DESCRIPTION	REV.
901C	4460205	2	Plug, Male Options: 0258303 Installation (110V GFI)	
	4460233		0258305 Installation (220V GFI)	
	See Note		0271449 Installation (Note: Not Available - Purchase Locally)	
901D	4060700	1	Shield, Cover Options: 0258303 Installation (110V GFI) (Side Hinged)	
	1001110873		0258303 Installation (110V GFI) (Top Hinged)	
	4060092		0258305 Installation (220V GFI)	
	See Note		0271449 Installation (Note: Not Available - Purchase Locally)	
	3960422	1	Gasket	
901E to 901H	Not Required			
901J		1	Connector, Strain Relief 0258303 & 0258305 Installations	
	4460071		0271449 Installation (Note: Not Available - Purchase Locally)	
	See Note			
901K		2	Plug, Male Options: 110V GFI	
	4460205		220V GFI	
901L	4460134	1	Receptacle, Female	
902	2920095	2	Platform Worklights Harness (Includes Light and Wire Only)	
	4460297	1	Terminal (10-12 Ga) (UL Machines Only) (Not Shown)	
	4460260	1	Housing, Terminal (10-12 Ga) (UL Machines Only) (Not Shown)	
	4923061	1	Harness, Platform Box (UL Machines Only) (Not Shown)	
	2820035	9	Loom, Vinyl	
902A	4460428	1	Connector, Strain Relief	
903 to 905A	Not Required			
		Ref	TOOLS	
	7002821	1	Crimper (For Wire to Pin/Socket Connections)	
	7002823	1	Extractor (For Removal of Pin/Socket from Connectors)	
	4460467	1	Extractor, Pin (Blue 16-18 Gauge) (For Removal of Pin/Socket from Connectors)	
	4460510	1	Extractor, Pin (Yellow 12-14 Gauge) (For Removal of Pin/Socket from Connectors)	
	7002828	1	Stripper, Wire	
	1600244	1	Module Analyzer (Not Shown)	
	1001137005	1	Software Cable Kit (Not Shown)	

SECTION 7 ELECTRICAL

FIGURE 7-2. HARNESS COMPONENTS INSTALLATION (CONTINUED)

ITEM #	PART NUMBER	QTY.	DESCRIPTION	REV.

SECTION 8 DECALS

SECTION 8 DECALS

FIGURE 8-1. DECAL INSTALLATION (ANSI SPEC)

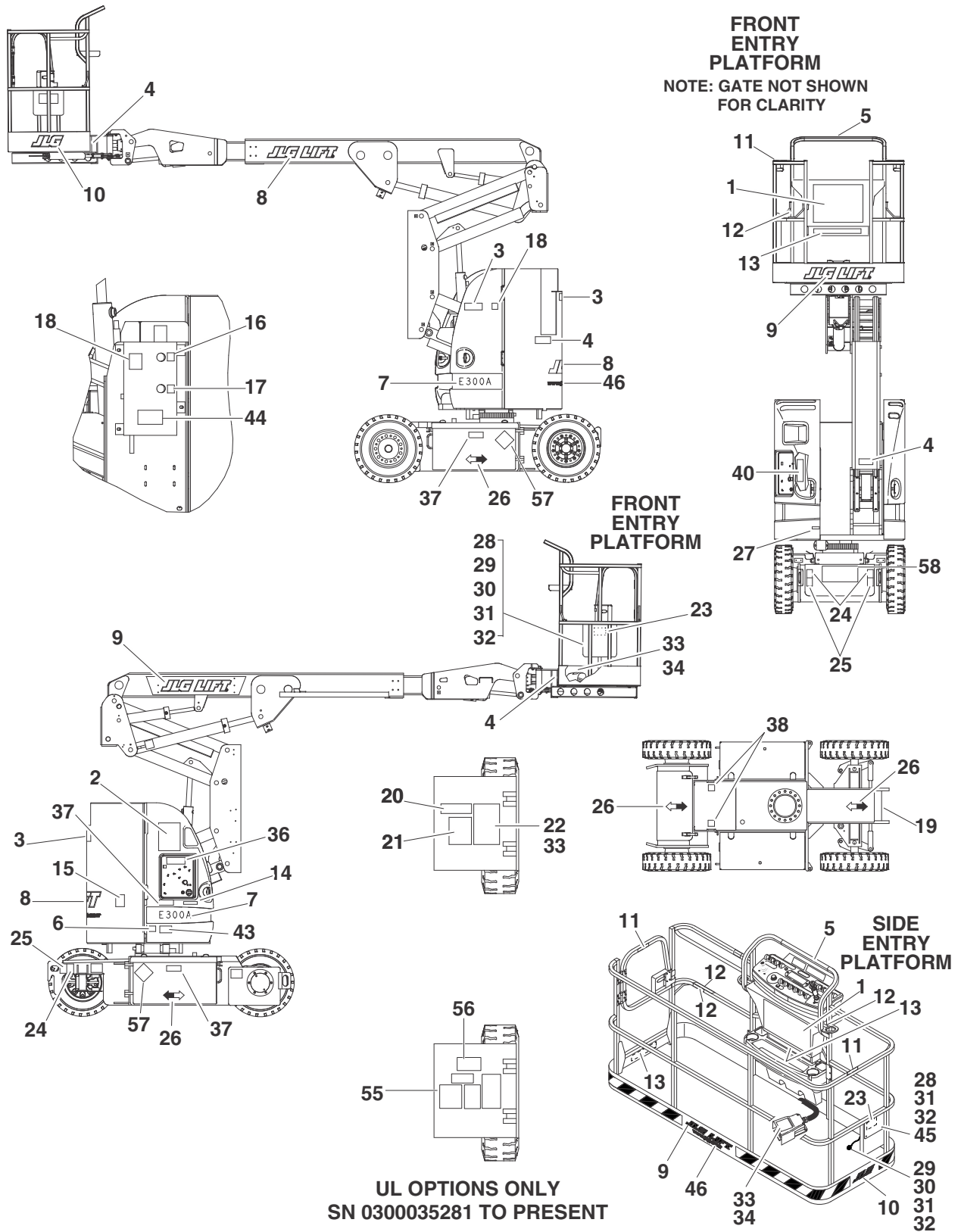


FIGURE 8-1. DECAL INSTALLATION (ANSI SPEC)

ITEM #	PART NUMBER	QTY.	DESCRIPTION	REV.
		Ref	STANDARD DECAL INSTALLATIONS	
	0259007	Ref	E300A (Model Specific Decals)	9
	0271033	Ref	E300A (Common Decals) (Front Entry Platform)	1
	0273105	Ref	E300A (Common Decals) (Side Entry Platform)	2
	0259008	Ref	E300AJ (Model Specific Decals)	11
	0271035	Ref	E300AJ (Common Decals) (Front Entry Platform)	1
	0273108	Ref	E300AJ (Common Decals) (Side Entry Platform)	2
	0259506	Ref	E300AJP (Model Specific Decals)	10
	0271034	Ref	E300AJP (Common Decals) (Front Entry Platform)	1
	0273106	Ref	E300AJP (Common Decals) (Side Entry Platform)	2
	0254454	Ref	UL Machines Only (Prior to SN 0300035281)	4
	0270432	Ref	UL Machines Only (SN 0300035281 to SN 0300138358)	2
1	1703797	1	Decal - Danger/Warning	
2	1703798	1	Decal - Danger/Warning	
3	1703805	2	Decal - Danger/Electrocution	
4	1703804	6	Decal - Warning/Crushing	
5	1704253	1	Decal - Legend	
6	1701644	1	Decal - Charger Plug	
7		2	Decal - Model Options:	
	1704198		E300A	
	1704199		E300AJ	
	1704267		E300AJP	
8	1702860	AR	Decal - JLG Lift (5in)	
		2	E300A	
		1	E300AJ & E300AJP	
9	1702774	2	Decal - JLG Lift (3 1/2in)	
10		1	Decal Options:	
	1702773		JLG (5in) (E300A & E300AJ)	
	1704200		JLG Plus (E300AJP)	
11	1702868	2	Decal - No Hands	
12	1704277	3	Decal - Attach Lanyard Here	
13	1701645	1	Decal - 500LBS Max Capacity	
14		1	Decal - 500LBS Max Capacity Options:	
	1702688		Prior to SN 0300100303	
	1707013		SN 0300100303 to SN 0300138358	
15	3251813	1	Decal - USA	
16	1701502	1	Decal - High Oil Level	
17	1701503	1	Decal - Low Oil Level	
18	1701504	2	Decal - Hydraulic Oil	
19	1702153	1	Decal - Inspection	
20	See Note	1	Decal - Bar Code (Note: Not Available for Purchase)	
21	1700584	1	Decal - Patent	
22	See Note	1	Nameplate - Serial Number (Note: Not Available for Purchase)	
23	1701509	2	Decal - Manual	
24	1702300	4	Decal - Tie Down /Lift	
25	1701500	4	Decal - Tie Down /Lift	
26	1701529	4	Decal- Arrow	

SECTION 8 DECALS

FIGURE 8-1. DECAL INSTALLATION (ANSI SPEC) (CONTINUED)

ITEM #	PART NUMBER	QTY.	DESCRIPTION	REV.
27	3251243 3252507	1	Nameplate - Options: 120V/60Hz 220V/50-60Hz	
28	0860520	1	Box, Manual Storage	
29	1060279	1	Cable, Lanyard	
30	0641408	1	Bolt 1/4in-20NC x 1in	
31	4751400	6	Flatwasher 1/4in Regular	
32	3311405	5	Nut 1/4in-20NC	
33	AR	AR	Rivet Options:	
	Use 2080057		Prior to SN 0300056928 (was p/n 3820001)	
	2080057		SN 0300056928 to SN 0300100303	
	3820001		SN 0300100303 to SN 0300138358	
34	3252347	1	Decal - Foot Switch	
35	1706942	4	Decal - Max Tire Load (SN 0300100541 to SN 0300138358)	
36	1704248	1	Decal - Battery Charger	
37	1703813	3	Decal - Warning Explosion	
38	1702155	2	Decal - Battery Disconnect	
39	Not Used			
40		1	Decal - Manual Descent	
		Ref	Note: Refer to p/n stamped on hose side of valve.	
	1704262		4641110 Valve	
	1705085		4641196 Valve	
	1001104864		1001097776 Valve	
41 to 42	Not Used			
43	1702901	1	Decals - Instructions Inside	
44	1704412	1	Decal - Hydraulic Oil	
45	0641406	4	Bolt 1/4in-20NC x 3/4in	
46	1704885	2	Decal - Website (SN 0300073199 to SN 0300138358 Only)	
47 to 54	Not Used			
55	3252331	1	Nameplate - Battery Info. (UL Machines Only)	
56	3252780	1	Nameplate - U/L Cert. "EE" (UL Machines Only)	
57	1702251	2	Nameplate - "EE" (UL Machines Only)	
58	1704720	1	Decal - Replacement Fuse (UL Machines Only)	

FIGURE 8-1. DECAL INSTALLATION (ANSI SPEC) (CONTINUED)

ITEM #	PART NUMBER	QTY.	DESCRIPTION	REV.

SECTION 8 DECALS

FIGURE 8-2. DECAL INSTALLATION (COUNTRY SPEC)

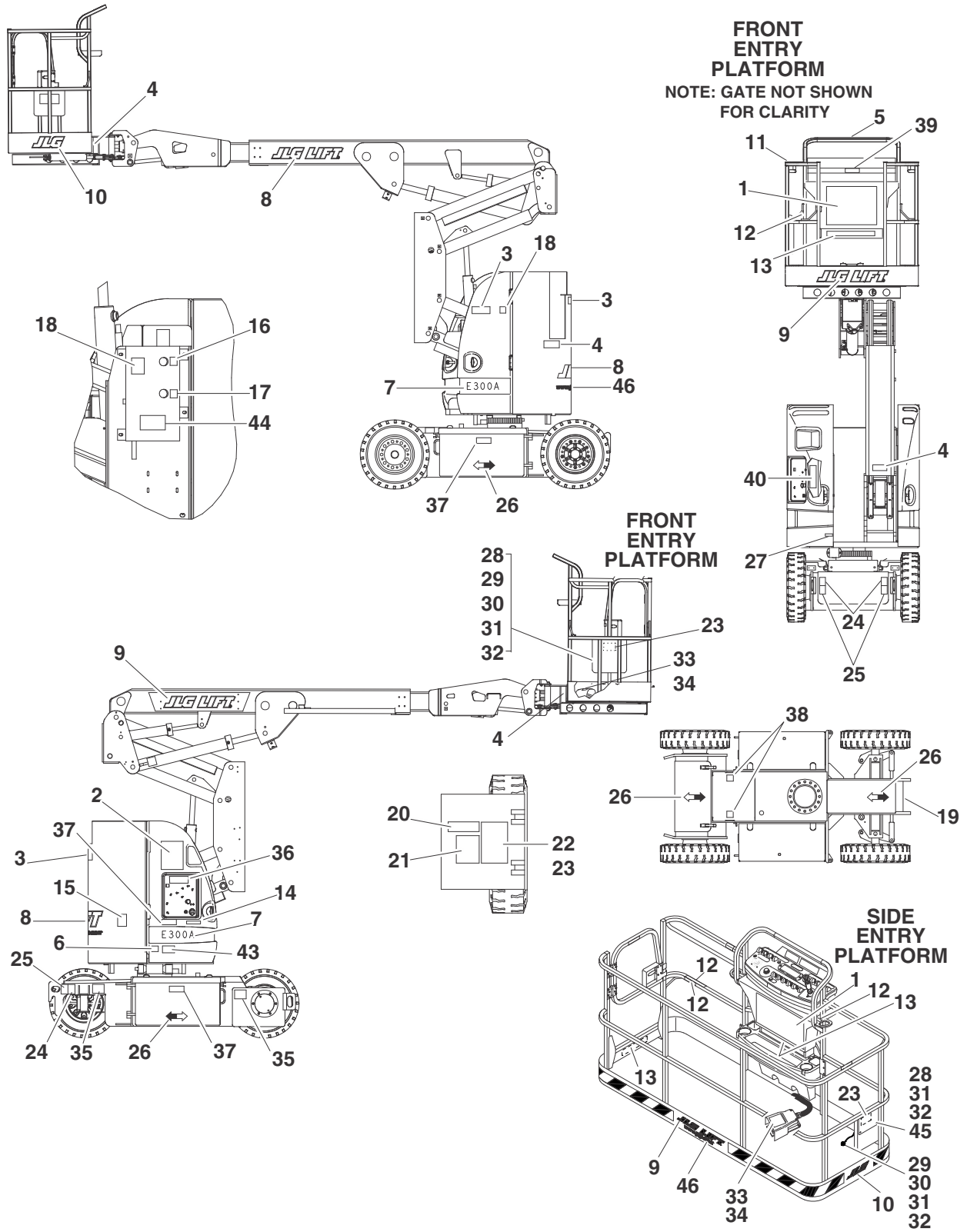


FIGURE 8-2. DECAL INSTALLATION (COUNTRY SPEC)

ITEM #	PART NUMBER	QTY.	DESCRIPTION	REV.
		Ref	DECAL INSTALLATIONS	
		Ref	Common Decals	
	0271033	Ref	E300A (Front Entry Platform)	1
	0273105	Ref	E300A (Side Entry Platform)	2
	0271035	Ref	E300AJ (Front Entry Platform)	1
	0273108	Ref	E300AJ (Side Entry Platform)	2
	0271034	Ref	E300AJP (Front Entry Platform)	1
	0273106	Ref	E300AJP (Side Entry Platform)	2
		Ref	E300A:	
	0259029	Ref	Canadian French Language	5
	0259031	Ref	Chinese Language	5
	0259027	Ref	English/Spanish Dual Language	5
	0259023	Ref	Japanese Language	4
	0259025	Ref	Korean Language	5
	0259035	Ref	Spanish/Portuguese Dual Language	6
		Ref	E300AJ:	
	0259030	Ref	Canadian French Language	9
	0259032	Ref	Chinese Language	8
	0259028	Ref	English/Spanish Dual Language	7
	0259024	Ref	Japanese Language	8
	0259026	Ref	Korean Language	8
	0259036	Ref	Spanish/Portuguese Dual Language	7
		Ref	E300AJP:	
	0259517	Ref	Canadian French Language	9
	0259518	Ref	Chinese Language	8
	0259516	Ref	English/Spanish Dual Language	7
	0259514	Ref	Japanese Language	7
	0259515	Ref	Korean Language	8
	0259519	Ref	Spanish/Portuguese Dual Language	7
1		1	Decal - Danger/Warning Options:	
	1703924		Canadian French Language	
	1703925		Chinese Language	
	1703923		English/Spanish Dual Language	
	1703926		Japanese Language	
	1703927		Korean Language	
	1703928		Spanish/Portuguese Dual Language	
2		1	Decal - Danger/Warning Options:	
	1703930		Canadian French Language	
	1703931		Chinese Language	
	1703929		English/Spanish Dual Language	
	1703932		Japanese Language	
	1703933		Korean Language	
	1703934		Spanish/Portuguese Dual Language	

SECTION 8 DECALS

FIGURE 8-2. DECAL INSTALLATION (COUNTRY SPEC) (CONTINUED)

ITEM #	PART NUMBER	QTY.	DESCRIPTION	REV.
3	1703936	2	Decal - Danger/Electrocution Options: Canadian French Language Chinese Language English/Spanish Dual Language Japanese Language Korean Language Spanish/Portuguese Dual Language	
	1703937			
	1703935			
	1703938			
	1703939			
	1703940			
4	1703948	6	Decal - Warning/Crushing Options: Canadian French Language Chinese Language English/Spanish Dual Language Japanese Language Korean Language Spanish/Portuguese Dual Language	
	1703949			
	1703947			
	1703950			
	1703951			
	1703952			
5	1704253	AR	Decal - Legend Options: Canadian French & English/Spanish Dual Languages Chinese/Japanese/Korean/ Spanish & Portuguese Dual Language	
	Not Required	1		
6	1701644	1	Decal - Charger Plug	
7	1704198	2	Decal - Model Options: E300A E300AJ E300AJP	
	1704199			
	1704267			
	1702860			
8	1702860	AR	Decal - JLG Lift (5in) E300A E300AJ & E300AJP Canadian Specs	
		2		
		1		
		0		
9	1702774	2	Decal - JLG Lift (3 1/2in) Options: (Canadian Specs Only)	
	Not Used			
10	1702773	AR	Decal Options: JLG (5in) (E300A & E300AJ) JLG Plus (E300AJP) (Canadian Specs Only)	
	1704200	1		
	Not Used	0		
		0		
11	1704000	AR	Decal - No Hands Options: Canadian French Language Chinese Language English/Spanish Dual Language Japanese Language Korean Language Spanish/Portuguese Dual Language	
	Not Required	2		
	1704001	0		
	Not Required	2		
	Not Required	0		
	Not Required	0		
12	1704002	2	Decal - Attach Lanyard Here	
13	1704277	2	Decal - 500LBS Max Capacity Options: Prior to SN 0300100303 SN 0300100303 to SN 0300138358 Options: Japanese Language Korean Language English/Spanish Dual Language Canadian French Chinese Language Spanish/Portuguese Dual Language	
	1703996			
	1707059			
	1707058			
	1707056			
	1707055			
	1707060			
	1707057			

SECTION 8 DECALS

FIGURE 8-2. DECAL INSTALLATION (COUNTRY SPEC) (CONTINUED)

ITEM #	PART NUMBER	QTY.	DESCRIPTION	REV.
14		1	Decal - 500LBS Max Capacity Options:	
	1704112		Canadian French	
	1707047		Prior to SN 0300100303	
	1707044		SN 0300100303 to SN 0300138358	
			Chinese Languages (SN 0300102543 to SN 0300138358)	
			English/Spanish Dual Languages	
	1702688		Prior to SN 0300100541	
	1707049		SN 0300100541 to SN 0300138358	
			Spanish/Portuguese Dual Languages	
	1702688		Prior to SN 0300100541	
	1707052		SN 0300100541 to SN 0300138358	
	1707054		Japanese Language (SN 0300102543 to SN0300138358)	
	1707042		Korean Languages (SN 0300102543 to SN 0300138358)	
15		AR	Decal - USA Options:	
	3251813	1	Canadian French & English/Spanish Dual & Spanish/ Portuguese Dual Languages	
	Not Required	0	Chinese/Japanese/Korean Languages	
16	1701502	1	Decal - High Oil Level	
17	1701503	1	Decal - Low Oil Level	
18	1701504	2	Decal - Hydraulic Oil	
19		AR	Decal - Inspection Options:	
	1704006	1	Canadian French Language	
	Not Required	0	Chinese Language	
	1704007	1	English/Spanish Dual Language	
	Not Required	0	Japanese Language	
	Not Required	0	Korean Language	
	1704008	1	Spanish/Portuguese Dual Language	
20	See Note	1	Decal - Bar Code (Note: Not Available for Purchase)	
21	1700584	1	Decal - Patent	
22	See Note	1	Nameplate - Serial Number (Note: Not Available for Purchase)	
23	1701509	1	Decal - Manual	
24	1702300	4	Decal - Tie Down /Lift	
25	1701500	4	Decal - Tie Down /Lift	
26	1701529	4	Decal- Arrow	
27		AR	Nameplate - 120V/60Hz Options:	
	3251243	1	Canadian French & English/Spanish Dual & Spanish/ Portuguese Dual Languages	
	Not Required	0	Chinese/Japanese/Korean Languages	
28	0860520	1	Box, Manual Storage	
29	1060279	1	Cable, Lanyard	
30	0641408	1	Bolt 1/4in-20NC x 1in	
31	4751400	6	Flatwasher 1/4in Regular	
32	3311405	5	Nut 1/4in-20NC	
33	3820001	AR	Rivet	

SECTION 8 DECALS

FIGURE 8-2. DECAL INSTALLATION (COUNTRY SPEC) (CONTINUED)

ITEM #	PART NUMBER	QTY.	DESCRIPTION	REV.								
34	1703984	1	Decal - Foot Switch Options: Canadian French Language Chinese Language English/Spanish Dual Language Japanese Language Korean Language Spanish/Portuguese Dual Language									
	1703982											
	1703983											
	1703980											
	1703981											
	1703985											
35	1706942	AR	Decal - Maximum Tire Load Options: Canadian French Language (SN 0300100541 to SN 0300138358) Chinese Language Prior to SN 0300100541 SN 0300100541 to SN 0300138358 English/Spanish Dual Language (SN 0300100541 to SN 0300138358) Japanese Language Prior to SN 0300100541 SN 0300100541 to SN 0300138358 Korean Language Prior to SN 0300100541 SN 0300100541 to SN 0300138358 Spanish/Portuguese Dual Language (SN 0300100541 to SN 0300138358)									
		4										
		4										
		4										
		4										
		4										
		4										
		4										
		4										
		4										
		4										
36	1704329 1704333 1704328 1704331 1704332 1704330	1	Decal - Battery Charger Options: Canadian French Language Chinese Language English/Spanish Dual Language Japanese Language Korean Language Spanish/Portuguese Dual Language									
					37	3	Decal - Warning Explosion Options: Canadian French Language Chinese Language English/Spanish Dual Language Japanese Language Korean Language Spanish/Portuguese Dual Language					
									38	2	Decal - Battery Disconnect	
					40	1 Ref	Decal - Manual Descent Options: Note: Refer to p/n stamped on hose side of valve. 4641110 Valve 4641196 Valve 1001097776 Valve					
									3252221	1		
1705514	1											
Not Required	0											
41 to 42	Not Used											

SECTION 8 DECALS

FIGURE 8-2. DECAL INSTALLATION (COUNTRY SPEC) (CONTINUED)

ITEM #	PART NUMBER	QTY.	DESCRIPTION	REV.
43	1704116 1702901	1	Decals - Instructions Inside Options: Canadian French Languages Chinese/English & Spanish Dual/Japanese/Korean/ Spanish & Portuguese Dual Languages	
44	1704412	1	Decal - Hydraulic Oil	
45	0641406	4	Bolt 1/4in-20NC x 3/4in	
46	1704885	2	Decal - Website (SN 0300073199 to SN 0300138358 Only)	

SECTION 8 DECALS

FIGURE 8-2. DECAL INSTALLATION (COUNTRY SPEC) (CONTINUED)

ITEM #	PART NUMBER	QTY.	DESCRIPTION	REV.

SECTION 9 RECOMMENDED SERVICE PARTS STOCK

MODEL E300A/E300AJ/E300AJP

The following list will service one machine (built to current production per date on the front cover) with emergency repair parts which can be installed in the field. Parts from the list should be replaced when inventory is depleted to keep service parts stock supplied. For further information, contact your JLG dealer or the JLG Industries Parts Department.

Part Number	Description	Qty./Machine
STANDARD PARTS		Ref
7022011	Diode, Power (Figure 1-6)	2
7021609	Coil (Figures 2-1, 2-2 & 2-3)	1
7021618	Coil (Figures 2-2 & 2-3)	1
7021610	Coil (Figures 2-2 & 2-3)	1
7021616	Filter Cartridge (Figure 2-3)	1
7021320	Cap, Breather (Figure 2-8)	1
4360070	Breaker, Circuit (Figure 2-10)	1
4360476	Contact, Switch Block (Figures 2-10 & 4-3)	1
4360475	Switch, Mushroom (Figures 2-10 & 4-3)	1
4360469	Switch, Key (Figure 2-10)	1
2860030	Key, Replacement (Set of 2) (Figure 2-10)	1
4360328	Switch, Toggle (Figures 2-10 & 4-3)	1
7020642	Breaker, Circuit (Figure 2-11)	1
7018571	Fuse Assembly (Figure 2-11)	1
7018570	Fuse 80 Amp (Figure 2-11)	2
7018506	Relay (Figure 2-11)	1
2940074	Latch (Figure 4-1 & 4-2)	1
100118419	Controller (Lift and Swing) (Figure 4-3)	1
100118418	Controller (Drive and Steer) (Figure 4-3)	1
4360462	Controller, Speed (Figure 4-3)	1
4360387	Switch, Push Button (Figure 4-3)	1
4360289	Switch, Mushroom (Figure 4-3)	1
4360282	Contact, Switch Block (Figure 4-3)	1
4360330	Switch, Toggle (Figure 4-3)	1
4360448	Breaker, Circuit (Figure 4-3)	1
VARIABLE PARTS		Ref
1001109497	Module, Control (Ground) (Figure 2-10)	1
7020653	Breaker, Circuit - 10 Amp (Figure 2-11)	1
7020654	Relay (Figure 2-11)	1
7018564	Relay (Figure 2-11)	1
7018535	Relay (Figure 2-11)	1
4360548	Switch, Limit (Figure 3-8)	1
1001109497	Module, Control (Ground) (Figure 3-8)	1
1001109498	Module, Control (Platform) (Figure 4-3)	1

SECTION 9 RECOMMENDED SERVICE PARTS STOCK

MODEL E300A/E300AJ/E300AJP

The following list will service one machine (built to current production per date on the front cover) with emergency repair parts which can be installed in the field. Parts from the list should be replaced when inventory is depleted to keep service parts stock supplied. For further information, contact your JLG dealer or the JLG Industries Parts Department.

Part Number	Description	Qty./Machine

SECTION 10 SPECIAL OPTIONS

Note: This list is to accommodate machines ordered with special equipment. Options may not be applicable to all models. For more specific parts information contact JLG Parts Department.

FIG&ITEM#	PART NUMBER	QTY.	DESCRIPTION	REV.
10-1		Ref	MISCELLANEOUS SPECIAL OPTIONS	
	0259250	Ref	Airline to Platform Installation	
	0258443	Ref	Boom Wipers Installation (E300A & E300AJ Models)	
	0256789	Ref	Camera Mount Assembly	
		Ref	Decal Installations Options:	
	1702788	1	Biodegradeable Hydraulic Fluid (ANSI Spec)	
	1703479	1	Biodegradeable Hydraulic Fluid (UL Spec)	
	1001098897	Ref	Fedex Decals Installation	
	0273262	Ref	Hertz Decals Installation	
	0274530	Ref	Head & Engquist Equipment L.L.C (H&E) Decals Installation	
	1703175	Ref	Lanyard Attach Decal (GM K-1 Spec)	
	0270469	Ref	Nations Rent Decals Installation	
	1702868	2	No Hands Decal (English Language) (Used with Platform Padding or Platform with Mesh)	
	1704000	2	No Hands Decal (English/French Language) (Used with Platform Padding or Platform with Mesh)	
	1001095410	Ref	RSC Equipment Decals Installation	
	0271114	Ref	Sunbelt Decals Installation	
	1704174	1	Synthetic Biodegradeable Hydraulic Fluid (ANSI Spec)	
	1704175	1	Synthetic Biodegradeable Hydraulic Fluid (UL Spec)	
		Ref	U/L Decals Installation Options:	
	0254454	1	Prior to SN 0300035281	
	0270432	1	SN 0300035281 to SN 0300138358	
	0271897	Ref	United Rentals Decals Installation	
	0259045	Ref	Warning Safety Stripes Installation	
		Ref	Electrical Connector Kits	
	1001148902	Ref	Amp/Tyco Electrical Connector Kit	
	1001148903	Ref	Deutsch DT Electrical Connector Kit	
	1001148904	Ref	Deutsch HD Electrical Connector Kit	
	1001148905	Ref	Packard Electrical Connector Kit	
	1001148906	Ref	Various Electrical Connectors Kit	
	4060959	Ref	Footswitch Shield (Note: Move Decal to Shield)	
		Ref	Hydraulic Fluids Options:	
	2300014	Ref	Mobil 424	
	2300016	Ref	Mobil DTE 13M	
	2300019	Ref	Quaker State Quintolubric 888-46 Fire Res.	
	2300027	Ref	Mobil 224H Bio	
	2300028	Ref	Mobil DTE 11M	
	2300029	Ref	Mobil EAL ISO 46 Bio	

SECTION 10 SPECIAL OPTIONS

Note: This list is to accommodate machines ordered with special equipment. Options may not be applicable to all models. For more specific parts information contact JLG Parts Department.

FIG&ITEM#	PART NUMBER	QTY.	DESCRIPTION	REV.
	1001148971	Ref	Lanyard (Bolt On) Kit Installation	
	0257728	Ref	Pipe Rack Installation	
	0270723	Ref	Platform Beacon Installation	
	0258703	Ref	Platform Console Cover Installation	
		Ref	Platform Entry Kits	
	1001142504	Ref	Drop Bar (Replacing Swing Gate with Drop Bar)	
	1001142505	Ref	Swing Gate (Replacing Drop Bar with Swing Gate)	
		Ref	Platform Mesh Installations (Side Entry Platform)	
	0273146	Ref	30in X 5ft (76cm x 1.52m)	
	0273147	Ref	30in X 4ft (76cm x 1.22m)	
	1001099635	Ref	Security Lock (Programable) Installation	
		Ref	SkyGuard Component	
	1001143669	Ref	SkyGuard Complete Add-On Kit (UGM Machines)	
	1001137672	Ref	SkyGuard Platform Sensor Kit (UGM Machines)	
	1001143256	Ref	SkyGuard Blue Beacon Kit	
		Ref	Tools for Service	
	1600244	1	Module Analyzer	
	7002828	1	Wire Stripper	
	7002821	1	Wire Crimper (To Install Wire Ends to Wires)	
	7002823	1	Pin/Socket Extractor - Universal (To Remove Pins/Sockets from Connectors)	
	4460467	1	Extractor - 16-18 Gauge (For Removal of Pins/Sockets for Deutsch Connectors)	
	4460510	1	Extractor - 12-14 Gauge (For Removal of Pins/Sockets for Deutsch Connectors)	
	7002822	1	Screwdriver, Potentiometer (To Adjust Drive Controllers)	
	7016654	1	Screwdriver, Magnetic	
	7004275	1	Seal Installation Tool - 1in	
	7004276	1	Seal Installation Tool - 1 1/2in	
	7002826	1	Seal Installation Tool - 2in	
	1001137005	1	Software Cable Kit	
	0257728	Ref	Tube Rack Installation	

SECTION 10 SPECIAL OPTIONS

Note: This list is to accommodate machines ordered with special equipment. Options may not be applicable to all models. For more specific parts information contact JLG Parts Department.

FIG&ITEM#	PART NUMBER	QTY.	DESCRIPTION	REV.
		Ref	Water Tight Fitting Enclosure Installation (EE/UL) Prior to SN 0300067774 SN 0300067774 to SN 0300138358	
	0259673	Ref		
	0272111	Ref		
	0259044	Ref	Weld Leads to Platform Installation	

SECTION 10 SPECIAL OPTIONS

Note: This list is to accommodate machines ordered with special equipment. Options may not be applicable to all models. For more specific parts information contact JLG Parts Department.

FIG&ITEM#	PART NUMBER	QTY.	DESCRIPTION	REV.

SECTION 11 PART NUMBER INDEX

Part Number	Page	Part Number	Page	Part Number	Page	Part Number	Page
0060043	3-3, 3-23	0259031	8-7	0271648	3-9	0641414	2-3, 4-4, 4-8
0060044	3-19, 3-23	0259032	8-7	0271649	3-9, 3-19	0641416	3-31
0060046	3-19, 3-27	0259033	3-31, 7-8	0271897	10-1	0641424	5-21
0060065	3-19, 3-29	0259035	8-7	0272082	4-4, 4-7	0641426	2-4
0100009	4-12	0259036	8-7	0272104	4-4, 4-7	0641504	1-25, 3-15
0100011	1-3, 1-23, 1-25, 2-3, 2-21, 2-23, 2-35, 3-3, 3-4, 3-7, 3- 9, 3-13, 3-15, 3- 16, 3-20, 3-31, 3-32, 4-3, 5-3, 5- 7, 5-11, 5-15, 5- 21	0259041	2-24	0272105	4-4, 4-7	0641506	1-19, 1-21, 4-25
0100019	1-5, 1-19, 1-21, 2- 13, 2-35	0259042	1-23, 7-12	0272106	4-4, 4-7	0641507	2-3
0100035	1-25, 2-28, 4-12	0259043	2-24	0272111	10-3	0641508	4-23
0100038	5-3, 5-7, 5-11, 5-15, 5-21	0259044	10-3	0272971	7-6	0641510	2-23, 3-31
0100040	4-3	0259045	10-1	0272976	3-3, 3-20	0641512	1-23, 3-15
0100048	1-23, 7-12	0259046	2-23	0273089	4-11	0641516	3-20, 4-23, 4-25
0100051	1-23, 7-12	0259047	2-23	0273105	8-3, 8-7	0641520	5-21
0100081	3-16	0259048	2-23	0273106	8-3, 8-7	0641605	3-16
0140011	4-12	0259049	2-23	0273108	8-3, 8-7	0641606	1-23, 3-3, 3-7, 3-9, 3-13, 3-15
0140019	4-12	0259102	4-13	0273146	10-2	0641607	3-7, 3-9, 3-15
0140028	2-3	0259126	2-35	0273147	10-2	0641608	1-3, 1-27, 2-3, 3-3, 3-4, 3-7, 3-13, 3- 16, 3-20
0140031	2-24	0259204	3-7, 3-13	0273262	10-1	0641609	1-5, 2-21, 3-3, 3-15
0140033	2-24	0259243	3-16	0273381	4-25	0641610	2-35, 3-3, 3-4, 3-7, 3-9, 3-20, 4-4, 4- 7, 4-11
0254454	8-3, 10-1	0259244	3-16	0273382	4-25	0641614	2-35
0256789	10-1	0259247	2-23	0273587	1-6	0641616	3-19, 3-31
0257728	10-2	0259250	10-1	0274282	1-5, 1-19, 7-10	0641618	1-27, 3-19
0258303	7-14	0259255	3-31	0274283	1-5, 1-21, 7-10	0641622	3-13
0258305	7-14	0259338	4-4, 4-8	0274530	10-1	0641624	2-13
0258443	10-1	0259358	3-4, 3-20	0340047	1-21	0641628	2-3
0258703	10-2	0259383	5-25	0400055	1-23	0641808	3-3, 3-7, 3-9, 3-13
0258958	2-23	0259384	5-25	0400107	1-23	0641810	2-3, 2-21, 2-23, 3-3, 3-7, 3-13, 3-19
0258962	3-3, 3-13	0259396	1-5, 1-21, 7-10	0400188	2-23, 2-31	0641812	2-15, 3-3, 3-7, 3-9
0258979	3-3	0259415	2-24	0400189	2-23, 2-32	0641826	1-5
0258980	3-7	0259417	1-23, 7-12	0400190	2-23, 2-31	0681608	3-3, 3-4, 3-20
0258982	2-35	0259439	3-3, 3-20	0400191	2-23, 2-32	0681814	2-13
0258983	2-21	0259440	3-7, 3-19	0440162	1-3	0681816	2-13
0258984	1-5, 1-19, 7-10	0259441	3-9, 3-19	0440202	2-13, 2-15	0682010	1-5
0258985	1-3	0259480	3-9	0440338	2-13, 2-15	0682012	1-5
0258986	1-6	0259505	2-3	0460187	5-25	0682020	2-35
0258987	2-13	0259506	8-3	0460192	5-25	0682036	2-13
0258989	2-3	0259514	8-7	0460193	5-25	0682040	2-13
0258990	2-3	0259515	8-7	0460194	5-25	0701010	3-4, 3-20
0258991	1-25	0259516	8-7	0460195	5-25	0721005	1-21, 2-3
0259002	2-23	0259517	8-7	0460196	5-25	0721006	3-31
0259005	2-13	0259518	8-7	0561350	3-15	0721008	2-24
0259007	8-3	0259519	8-7	0561364	5-25	0731005	2-27
0259008	8-3	0259623	3-31, 7-8	0610128	4-12	0741408	3-32
0259023	8-7	0259673	10-3	0610129	2-27	0801174	3-3, 3-15
0259024	8-7	0259879	1-27, 7-2	0610131	2-27	0801177	3-7, 3-15
0259025	8-7	0270283	4-23	0610139	2-27	0801178	3-15
0259026	8-7	0270339	3-31	0610166	2-27	0801179	3-15
0259027	8-7	0270375	2-21	0630401	3-16	0801181	3-15
0259028	8-7	0270400	3-7, 3-19	0630464	1-25, 4-11	0801182	3-15
0259029	8-7	0270402	3-9, 3-19	0630534	5-3, 5-21	0801203	3-9, 3-15
0259030	8-7	0270432	8-3, 10-1	0630535	5-11	0801204	3-15
		0270469	10-1	0630568	4-13	0801205	3-15
		0270704	3-10	0641403	1-23, 1-25, 3-13	0801220	3-15
		0270723	10-2	0641404	1-19, 1-21, 2-35, 3- 4, 3-20	0801221	3-15
		0271033	8-3, 8-7	0641406	1-27, 2-23, 2-24, 4- 4, 4-7, 8-4, 8-11		
		0271034	8-3, 8-7	0641407	3-3, 3-20		
		0271035	8-3, 8-7	0641408	2-21, 4-4, 4-7, 8-4, 8-9		
		0271114	10-1				
		0271301	4-4, 4-8				
		0271449	7-14				

SECTION 11 PART NUMBER INDEX

Part Number	Page	Part Number	Page	Part Number	Page	Part Number	Page
0801222	3-9, 3-15	1001103695	5-3	1060767	7-10	1683051	5-3
0840031	1-23, 7-12	1001103696	5-3	1060768	7-10	1683052	5-7, 5-15
0840032	1-23, 7-12	1001104629	2-15	1060769	7-10	1683056	5-11
0860038	7-14	1001104851	2-13, 2-19	1060770	7-10	1683584	5-21
0860520	8-4, 8-9	1001104864	8-4, 8-10	1060771	7-11	1683719	3-13, 5-13
0861176	4-4, 4-11, 7-6	1001105456	2-13	1060772	7-11	1683732	1-3, 5-19
0861215	4-11	1001109260	2-3, 2-7	1060773	7-11	1683750	3-3, 5-11
0861253	2-27	1001109497	2-27, 9-1	1060801	1-27	1683752	5-11
0861265	2-23, 2-27, 7-10	1001109498	4-12, 9-1	1060802	1-27	1683754	5-11
0861268	2-23, 2-27, 7-10	1001110435	4-12, 7-6	1060805	7-12	1683756	5-15
0861290	2-23, 2-27, 7-10	1001110772	1-6	1060847	7-11	1683757	5-15
0861311	4-4	1001110776	1-6	1060860	7-11	1683759	5-7
0861314	4-4, 4-11, 7-6	1001110873	7-15	1060861	7-13	1683760	3-3, 3-7, 3-9, 5-7
0861375	1-21	1001118418	4-11, 4-19, 4-20, 9-1	1060862	7-11	1683761	5-7
0861449	4-4, 4-11, 7-6	1001118419	4-11, 4-15, 4-16, 9-1	1060863	7-13	1683762	3-7, 3-9, 5-11
0861452	4-4, 4-11, 7-6	1001137005	7-15, 10-2	1060876	3-31, 7-8	1683764	5-11
0861529	4-11, 7-6	1001137672	10-2	1060877	3-31, 7-8	1683766	5-11
0861530	4-11, 7-6	1001140278	3-7, 3-9, 5-17	1060880	7-14	1683770	5-15
0861531	4-11, 7-6	1001140279	3-3, 5-9	1060881	7-14	1683772	5-15
0861532	4-11, 7-6	1001140280	3-19, 5-5	10837580	2-8	1683773	3-7, 3-9, 5-15
0861537	4-11, 4-13	1001142504	10-2	1120110	5-21	1683779	3-19, 5-3
0902520	2-13	1001142505	10-2	1180352	3-16	1683780	5-3
0902575	4-12	1001143256	10-2	1180353	3-16	1683783	5-3
0902588	4-12	1001143669	10-2	1271433	3-13	1683784	3-15, 5-21
0920113	1-5	1001144026	4-7	1271463	1-27	1683785	5-21
0940036	1-25	1001144027	4-7	1320030	6-3, 6-7	1683786	5-21
0940038	4-23	1001144629	4-7	1320130	3-31	1683789	5-21
0940048	3-13	1001148902	10-1	1320172	7-12	1683791	5-21
0940049	2-35	1001148903	10-1	1320259	3-19	1683793	3-15, 5-21
0940091	4-25	1001148904	10-1	1320260	3-16	1683863	5-21
0940092	4-25	1001148905	10-1	1320261	3-31	1683864	3-15, 5-21
0940093	4-25	1001148906	10-1	1320262	3-31	1683923	3-7, 3-9, 5-15
0940094	4-25	1001148971	10-2	1380136	2-3	1683924	3-3, 3-7, 3-9, 5-7
0961893	5-3	1060092	7-12	1580012	4-4, 4-8	1683925	5-7, 5-15
0961896	5-11	1060279	8-4, 8-9	1580013	4-4, 4-8	1684065	3-3, 5-15
0961900	5-7, 5-15	1060330	4-7, 7-6	1600244	7-15, 10-2	1700584	8-3, 8-9
0961947	3-19, 3-23, 5-3, 5-5	1060341	7-14	1600273	4-11, 4-19	1701500	8-3, 8-9
0961948	3-13, 3-15, 5-11	1060494	1-27, 7-8	1600274	4-11, 4-15	1701502	8-3, 8-9
0961951	1-3, 3-19, 5-3, 5-5, 5-7, 5-9, 5-13, 5-15, 5-17	1060677	7-8	1600292	2-27	1701503	8-3, 8-9
0962140	1-3	1060732	7-10	1600293	1-19, 1-21	1701504	8-3, 8-9
0962185	5-7, 5-15, 5-21	1060733	7-10	1600294	1-19, 7-11	1701509	8-3, 8-9
0962233	1-23	1060734	7-10	1600300	1-21, 7-11	1701529	8-3, 8-9
0962257	3-23	1060735	7-10	1670745	4-23	1701644	8-3, 8-8
0962259	3-13	1060736	7-11	1670788	4-23	1701645	8-3
0962292	3-19	1060737	7-11	1670829	4-11	1702153	8-3
1001094670	3-19	1060738	7-11	1670878	1-23	1702155	8-4, 8-10
1001095410	10-1	1060739	7-11	1670890	1-23	1702251	8-4
1001097487	3-13	1060740	7-11	1670897	1-25	1702300	8-3, 8-9
1001097505	2-4	1060741	7-12	1670899	3-31	1702565	4-11
1001097506	2-3, 2-11	1060742	7-12	1670901	3-15	1702566	4-11
1001097775	2-3	1060743	7-12	1670902	1-25	1702567	4-11
1001097776	2-3, 2-7	1060751	2-23, 7-13	1670905	3-4, 3-20	1702688	8-3, 8-9
1001098897	10-1	1060752	7-13	1670953	1-27	1702773	8-3, 8-8
1001099635	10-2	1060753	2-23, 7-13	1670966	4-23	1702774	8-3, 8-8
1001099833	3-16	1060754	7-13	1670967	4-23	1702788	10-1
1001099834	3-16	1060755	7-13	1670968	4-23	1702860	8-3, 8-8
1001103639	3-13	1060756	7-13	1670969	4-23	1702868	8-3, 10-1
		1060757	7-9	1670976	3-10	1702901	8-4, 8-11
		1060759	2-23, 7-13	1671037	4-12, 7-6	1703175	10-1

SECTION 11 PART NUMBER INDEX

Part Number	Page	Part Number	Page	Part Number	Page	Part Number	Page
1703479	10-1	1704260	4-12	2220414	6-3, 6-7	2752999	6-3, 6-7
1703797	8-3	1704262	8-4, 8-10	2220415	6-3, 6-7	2753011	6-3, 6-7
1703798	8-3	1704266	2-27	2220428	6-3, 6-7	2753012	6-3, 6-7
1703804	8-3	1704267	8-3, 8-8	2220429	6-3, 6-7	2753013	6-3, 6-7
1703805	8-3	1704276	8-10	2220466	6-3, 6-7	2753051	6-3, 6-7
1703809	8-10	1704277	8-3, 8-8	2220472	6-3, 6-7	2753131	6-3, 6-7
1703813	8-4	1704328	8-10	2220473	6-3, 6-7	2753136	6-3, 6-7
1703923	8-7	1704329	8-10	2220501	6-3, 6-7	2753137	6-3, 6-7
1703924	8-7	1704330	8-10	2220502	6-3, 6-4, 6-7	2753255	6-4, 6-7
1703925	8-7	1704331	8-10	2220504	6-3, 6-7	2753258	6-3
1703926	8-7	1704332	8-10	2220582	6-3, 6-7	2753259	6-4, 6-7
1703927	8-7	1704333	8-10	2220593	6-3, 6-7	2753273	6-4
1703928	8-7	1704339	8-10	2220596	6-3, 6-7	2753274	6-4, 6-8
1703929	8-7	1704340	8-10	2220600	6-3, 6-7	2753275	6-3, 6-7
1703930	8-7	1704341	8-10	2220873	6-3, 6-7	2753276	6-4
1703931	8-7	1704342	8-10	2220883	5-21	2753277	6-4
1703932	8-7	1704343	8-10	2220885	5-3	2753278	6-4
1703933	8-7	1704344	8-10	2220909	6-4, 6-8	2753279	6-4, 6-8
1703934	8-7	1704412	8-4, 8-11	2221033	6-3, 6-7	2753280	6-4, 6-7
1703935	8-8	1704422	4-11	2221034	6-3, 6-7	2753281	6-4, 6-7
1703936	8-8	1704712	1-21	2221035	6-3, 6-7	2753300	6-4
1703937	8-8	1704720	8-4	2221039	6-8	2753306	6-8
1703938	8-8	1704885	8-4, 8-11	2300014	10-1	2753307	6-8
1703939	8-8	1705085	8-4, 8-10	2300016	10-1	2753308	6-8
1703940	8-8	1705514	8-10	2300019	10-1	2753309	6-7
1703947	8-8	1705737	2-27	2300027	10-1	2753310	6-8
1703948	8-8	1705738	2-27	2300028	10-1	2753311	6-8
1703949	8-8	1706934	2-27	2300029	10-1	2760105	4-11
1703950	8-8	1706942	8-4, 8-10	2400044	1-21	2780234	1-3
1703951	8-8	1707012	2-27	2400062	1-21	2780236	1-5, 1-9
1703952	8-8	1707013	8-3	2400067	4-12, 7-6	2780282	1-5, 1-13
1703980	8-10	1707042	8-9	2400068	4-12, 7-6	2792379	6-3, 6-10
1703981	8-10	1707044	8-9	2420106	2-27	2792380	6-10
1703982	8-10	1707047	8-9	2460023	1-27	2792390	6-3, 6-10
1703983	8-10	1707049	8-9	2460037	1-27	2792391	6-10
1703984	8-10	1707052	8-9	2540020	1-23	2792392	6-7, 6-10
1703985	8-10	1707054	8-9	2540037	1-21	2792393	6-10
1703996	8-8	1707055	8-8	2560115	4-11	2792521	6-10
1704000	8-8, 10-1	1707056	8-8	2560122	2-4	2792522	6-10
1704001	8-8	1707057	8-8	2560123	2-4	2792523	6-10
1704002	8-8	1707058	8-8	2560136	4-11	2792524	6-3, 6-10
1704006	8-9	1707059	8-8	2600103	1-27	2792525	6-3, 6-10
1704007	8-9	1707060	8-8	2600216	4-3	2792526	6-7, 6-10
1704008	8-9	1810128	2-23, 2-27, 7-10	2600219	4-3	2820035	1-27, 2-24, 7-15
1704112	8-9	1810131	2-23, 2-27, 7-10	2600258	2-35	2820066	1-23
1704116	8-11	1870090	7-2	2600281	4-7	2820101	1-23
1704174	10-1	1870225	7-2	2600287	4-3	2820102	1-23
1704175	10-1	2080040	4-3, 4-7	2680456	2-35	2860030	2-27, 9-1
1704192	4-11	2080057	8-4	2680457	2-35	2900756	2-8
1704196	2-27	2160001	2-15	2720452	6-4, 6-8	2900768	1-5
1704197	2-27	2160002	2-13	2750529	2-13	2900770	3-24, 3-27, 5-13, 5-21
1704198	8-3, 8-8	2160003	2-13	2752433	6-4, 6-8		
1704199	8-3, 8-8	2180344	2-13	2752434	6-4	2900792	5-3, 5-5, 5-7, 5-9
1704200	8-3, 8-8	2210008	6-3, 6-7	2752435	6-3, 6-7	2901544	5-22
1704239	4-11	2220001	2-13	2752461	6-3, 6-7	2901773	5-11
1704240	4-11	2220124	2-13	2752472	6-3, 6-7	2901776	5-7, 5-15
1704246	1-25	2220237	6-3, 6-7	2752504	6-3, 6-7	2901818	7-11
1704248	8-4	2220371	6-3, 6-7	2752575	6-4, 6-7	2901860	5-22
1704253	8-3, 8-8	2220374	6-3, 6-7	2752591	6-3, 6-7	2901864	7-11

SECTION 11 PART NUMBER INDEX

Part Number	Page	Part Number	Page	Part Number	Page	Part Number	Page
2901898	5-7, 5-15	3340852	1-23	3572551	3-19	4100067	3-31
2902209	5-3	3340853	3-15	3600289	2-21	4100068	3-31
2910866	4-13	3340854	3-3, 3-7, 3-9	3600302	2-21	4120035	7-7
2920095	4-5, 4-8, 7-15	3340859	3-16	3760115	3-15	4220165	4-3
2920129	7-7	3340860	3-19	3760308	4-11, 4-12	4240032	2-24, 4-12, 4-13
2920146	2-24	3340862	3-15	3760367	5-3	4240084	1-19, 1-21
2940048	1-27	3340863	3-15	3760368	5-7, 5-15	4240099	4-5, 4-8
2940073	1-23	3340864	5-21	3760369	5-11	4300132	4-12
2940074	4-3, 4-7, 9-1	3340865	3-32	3790012	2-28, 4-12, 4-13	4360030	7-6
2940114	1-23	3340881	3-15	3820001	8-4, 8-9	4360031	4-4, 4-7
2940117	2-35	3340940	3-16	3820020	4-7	4360070	2-27, 9-1
2940118	1-25	3380434	4-4, 4-8	3841143	1-3, 3-3, 3-7, 3-9, 3-13	4360282	9-1
3000003	1-23	3422327	1-3	3841203	3-3, 3-7, 3-9, 3-13	4360289	9-1
3020008	1-5	3422424	3-13	3900109	1-3	4360328	2-27, 4-11, 4-13, 9-1
3020029	2-13	3422582	3-3, 3-7, 3-9	3900118	1-3	4360330	2-28, 4-12, 9-1
3020036	2-13	3422669	3-3, 3-7, 3-9	3900142	5-21	4360387	4-11, 9-1
3020037	1-5	3422745	3-15	3900142	5-21	4360448	4-12, 7-6, 9-1
3160182	2-13, 2-17	3422774	1-3	3900266	1-23	4360462	4-11, 9-1
3160237	1-5, 1-17	3422785	3-13	3910612	4-12	4360469	2-27, 9-1
3251243	8-4, 8-9	3422786	3-13	3910636	1-19, 1-21	4360475	2-27, 4-11, 9-1
3251813	8-3, 8-9	3422787	3-3, 3-7, 3-9	3910804	2-28	4360476	2-27, 4-11, 9-1
3252221	8-10	3422788	3-13	3910808	4-12	4360548	3-32, 9-1
3252331	8-4	3422789	3-13	3911008	4-3, 4-7	4360968	3-32
3252347	4-4, 4-7, 8-4	3422790	3-3, 3-7, 3-9	3911016	2-24	4400419	2-21
3252507	8-4	3422791	3-19	3931016	5-7, 5-15	4420055	1-23
3252780	8-4	3422792	3-3, 3-7, 3-9	3931024	3-32	4420068	4-25
3271601	2-35, 3-31	3422793	3-3, 3-7	3931028	3-32	4460007	2-27
3300106	1-6	3422794	3-19	3931414	2-15	4460025	7-9, 7-12
3300353	1-27	3422796	3-3, 3-7, 3-9	3931430	1-23	4460035	1-27
3300371	1-25	3422799	3-7, 3-9	3931516	5-3, 5-7, 5-15	4460071	4-4, 4-7, 7-6, 7-15
3300396	2-27	3422814	3-9	3931620	5-11	4460125	7-14
3310601	1-19, 1-21, 2-27, 4-12	3450812	1-3	3931816	3-19	4460134	1-27, 7-15
3311001	1-21, 4-7	3470003	4-13	3931832	2-13	4460138	1-27
3311005	1-25, 2-3, 2-23, 2-24, 3-31, 3-32, 4-3, 4-12	3480227	5-21	3960418	2-35	4460205	7-15
3311401	1-23, 1-25, 2-21	3480247	5-7, 5-15	3960422	7-15	4460224	7-9
3311405	1-27, 2-24, 3-4, 3-20, 3-31, 4-4, 4-7, 4-8, 5-21, 8-4, 8-9	3480248	5-11	3960433	1-25	4460225	7-7, 7-8, 7-9, 7-10, 7-11, 7-14
3311501	1-21, 2-23, 2-27, 2-35, 3-16, 3-19, 4-23, 4-25	3480249	5-3	3960447	1-25	4460226	2-24, 4-15, 4-16, 4-19, 4-20, 7-6, 7-7, 7-8, 7-9, 7-10, 7-11, 7-13, 7-14
3311502	3-16	3480254	5-21	3960514	2-35	4460227	7-6, 7-7, 7-8, 7-9, 7-11, 7-13, 7-14
3311505	2-3, 3-16	3480259	5-7, 5-15	3990105	1-5, 7-10	4460233	7-15
3311601	2-21, 4-13	3510693	4-3	3990106	2-28, 7-9	4460234	2-24
3311605	1-27, 2-13, 3-3, 3-4, 3-7, 3-9, 3-13, 3-15, 3-16, 3-19, 3-20, 4-4, 4-8, 4-12	3510694	4-3	3990108	3-4, 3-20	4460259	1-27, 7-7
3311805	3-3, 3-7, 3-9, 3-13	3510711	4-3	4060092	7-15	4460260	1-27, 7-7, 7-15
3312005	1-3, 1-23	3510714	4-3	4060700	7-15	4460264	2-27
3313003	1-3	3510725	4-3	4060803	1-27, 3-16, 3-31, 4-3	4460265	4-15, 4-16, 4-19, 4-20, 7-6, 7-8, 7-9, 7-14
3340756	3-15	3510830	4-7	4060804	3-16	4460267	7-7
3340837	3-15	3510831	4-7	4060805	3-16	4460268	7-7, 7-9
3340847	5-21	3520028	2-23, 2-28, 4-11	4060807	1-19, 1-21, 3-31	4460297	7-15
		3520030	4-12	4060865	2-24	4460320	7-8, 7-9
		3520054	4-11	4060906	2-27	4460321	7-7, 7-8, 7-9, 7-13
		3520072	4-3, 4-7	4060959	10-1	4460326	7-8, 7-9, 7-11
		3520198	4-7	4070897	3-15	4460343	7-7, 7-8
		3536089	4-4, 4-8	4070898	3-15	4460346	7-14
		3539685	4-3	4070904	1-23		
		3570958	3-16	4070982	3-15		
		3571222	4-12	4070987	2-28		
		3571406	3-19	4070991	2-28		
		3571472	3-16	4100058	3-31		
		3571492	2-23	4100063	3-31		
		3571584	2-24	4100066	3-31		

SECTION 11 PART NUMBER INDEX

Part Number	Page	Part Number	Page	Part Number	Page	Part Number	Page
4460367	7-7	4641119	2-4	4845941	3-13	4933182	7-2, 7-6
4460418	7-7, 7-14	4641149	2-3, 2-11	4845942	3-13	4933386	7-2, 7-8, 7-10
4460419	7-7, 7-14	4641196	2-3, 2-7	4845943	3-13	70000088	2-19
4460424	2-24, 7-13	464509	5-5	4845944	3-13	70000089	2-19
4460426	1-27, 7-9	4711400	1-25, 2-3, 2-21, 2-24, 3-4, 3-13, 3-20, 3-31, 4-4, 4-8	4845951	4-3	70000340	3-29
4460428	2-24, 3-32, 4-11, 7-6, 7-7, 7-13, 7-15	4711500	1-19, 1-21, 2-3, 2-23, 2-27, 3-15, 3-16, 4-13, 5-22	4845962	1-25	70000341	3-24
4460434	7-7, 7-8, 7-9	4711600	1-5, 1-23, 2-3, 2-21, 3-3, 3-4, 3-7, 3-9, 3-13, 3-15, 3-16, 3-19, 3-20, 3-31	4845963	3-13	70000864	2-15
4460444	7-9	4711800	2-3, 2-21, 2-23, 3-19	4845964	2-23	70000865	2-15
4460445	7-9	4712600	1-3	4845968	3-13	70000866	2-15
4460458	7-9	4713000	1-3	4845972	3-13	70000867	2-15
4460464	7-6, 7-7, 7-8	4740086	1-23	4845998	2-35	70001052	1-19, 7-12
4460465	7-8	4740120	4-12	4846007	3-16	70001366	1-13
4460467	4-12, 7-15, 10-2	4740156	1-3	4846016	2-4	70001367	1-13
4460488	4-13	4740171	2-13	4846019	2-35	70001368	1-13, 1-14
4460492	7-8	4740362	3-4, 3-20, 4-4, 4-8	4846022	2-21	70001369	1-13
4460496	2-27, 4-12, 7-6, 7-10	4740393	2-3, 2-13, 2-21, 2-23, 2-35	4846031	3-3, 3-7, 3-10	70001370	1-13
4460497	2-27, 4-12, 7-6, 7-10	4740420	2-27	4846050	3-4, 3-20	70001371	1-13
4460510	7-15, 10-2	4750600	4-12	4846073	3-20	70001372	1-13
4460526	1-27, 2-27, 7-8, 7-10	4751000	1-21, 2-3, 2-24, 3-31, 3-32, 4-3, 4-7	4846083	3-13	70001372	1-13
4460634	7-7	4751400	1-19, 1-21, 1-23, 1-25, 1-27, 2-21, 2-23, 2-35, 4-4, 4-8, 5-22, 8-4, 8-9	4846272	3-13	70001373	1-13
4460635	7-7	4751500	1-23, 1-25, 3-20, 4-23, 4-25	4846278	3-19	70001374	1-13
4460742	7-9	4751600	2-13, 2-35, 4-4, 4-8, 4-11	4846322	3-4, 3-20	70001375	1-13
4460743	7-9	4760600	1-19, 1-21, 2-27, 4-12	4846502	3-20	70001376	1-13
4460744	7-9	4761000	4-3, 4-7	4846608	3-4, 3-20	70001377	1-13
4460745	7-9	4761400	2-15, 2-35	4846936	4-25	70001378	1-13
4460746	7-9	4761500	4-23	4846937	4-25	70001379	1-13
4460748	7-9	4761700	3-4, 3-20	4891400	2-15	70001380	1-13, 1-14
4460749	7-9	4812000	3-4, 3-20	4891600	2-4, 2-21	70001697	3-24
4460750	7-9	4844917	4-23	4891800	2-3, 2-21, 2-35	70001875	2-8
4460752	2-27, 4-12, 7-6, 7-8, 7-10	4845327	4-3	4892000	1-5, 2-13	70001996	3-16
4460754	7-8	4845824	4-3	4922060	7-7	70001998	3-16
4460761	7-7	4845897	1-3	4922071	7-7	70002208	2-19
4460802	2-24, 7-13	4845921	3-13	4922074	7-6	70002216	5-9, 5-17
4460803	2-24, 7-13	4845923	1-23	4922118	7-7	70002217	5-9, 5-17
4460805	2-24, 7-13	4845924	1-23	4922157	7-7	70002220	5-5
4520208	1-6	4845925	3-19	4922160	7-7	70002223	5-5
4520276	1-6	4845926	3-19	4922160	7-7	70002243	2-19
4520675	1-6	4845927	3-19	4922237	7-8	70002408	1-5
4565256	2-4	4845940	3-13	4922238	7-8	70002724	4-19
4567739	1-23			4922239	7-9	70002725	4-19
4567810	5-11			4922270	3-31, 7-8	70002726	4-19
4567839	5-21			4922273	3-31, 7-8	70002728	4-19
4567922	2-4			4922291	7-8	70002730	4-15
4567963	5-21			4922294	4-13, 7-14	70002731	4-15
4568165	1-27			4922303	7-7	70002732	4-15
4640509	5-3			4922307	4-12, 7-7	70002733	4-15
4640771	5-21			4922534	4-13, 7-7	70002734	4-15
4640902	5-3			4922555	7-7	70002735	4-15
4640932	5-7, 5-9			4922556	7-7	70002736	4-19, 4-20
4640999	5-11			4922598	7-14	70002737	4-20
4641086	5-7, 5-9			4923061	7-15	70002807	2-3, 2-4
4641101	5-21			4923614	7-8	70002808	2-4
4641102	2-3			4933060	7-2, 7-6	7000281	1-13
4641103	5-21			4933075	7-2	70002906	4-15
4641110	2-3, 2-7			4933080	7-2, 7-8, 7-10	70003711	1-9
4641113	2-3, 2-11			4933099	7-2	70003712	1-9
				4933100	7-2	70003713	1-9
				4933105	7-2, 7-6	70003714	1-9
				4933181	7-2, 7-6	70003715	1-9
						70003716	1-9

SECTION 11 PART NUMBER INDEX

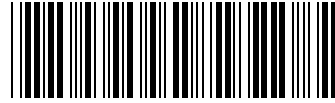
Part Number	Page	Part Number	Page	Part Number	Page	Part Number	Page
70003717	1-9	7005365	5-13	7016417	2-17	7019103	4-19
70003718	1-9	7005804	2-17	7016652	4-3	7019110	4-19
70003719	1-9	7005809	2-17	7016654	10-2	7019111	4-15, 4-19
70003720	1-9	7005811	2-17	7016676	2-15	7019112	4-19
70003721	1-9	7005812	2-17	7016682	2-15	7019115	4-19
70003722	1-9	7005821	2-17	7017007	1-13, 1-14	7019137	4-15
70003723	1-9	7005874	2-17	7017009	1-13	7019141	4-15
70003724	1-10	7005876	2-17	7017022	1-13	7019142	4-15
70003725	1-10	7005877	2-17	7017120	3-23	7019143	4-15
70003819	5-9, 5-17	7005878	2-17	7017121	3-23	7019144	4-15
70003833	5-5	7005879	2-17	7017122	3-23, 3-24	7019145	4-15
70003836	5-5	7005880	2-17	7017123	3-24	7019147	4-15
70003843	5-17	7005881	2-17	7017125	3-24, 3-27	7019149	4-15
70003844	5-17	7006139	3-16	7017126	3-23	7019150	4-15
70003845	5-9, 5-17	7006151	3-16	7017127	3-24	7019151	4-19
70003846	5-9	7006152	3-16	7017130	3-27	7019154	4-19
70003847	5-9	7007640	1-13	7017131	3-27	7019157	4-19
70003863	5-5	7007900	1-5	7017132	3-27	7019158	4-19
70003864	5-5	7007913	1-5	7017133	3-27	7019159	4-19
70004019	2-8	7007933	1-5	7017134	3-27	7019160	4-19
7000625	4-4, 4-7	7007977	1-5	7017135	3-27	7019161	4-19
7002821	7-15, 10-2	7010542	2-8, 2-11	7017165	3-29	7019162	4-19
7002822	10-2	7010543	2-8, 2-11	7017167	3-29	7019164	4-20
7002823	7-15, 10-2	7011112	5-7, 5-9	7017168	3-29	7019165	4-20
7002826	10-2	7011185	5-11	7017172	3-24, 3-27, 3-29	7019167	4-20
7002828	7-15, 10-2	7011323	3-24, 3-27	7017178	3-29	7019168	4-19
7003223	5-13	7011381	5-13	7017179	3-29	7019170	4-15
7003225	5-13	7011529	2-31, 2-32, 2-33	7017192	3-24, 3-27, 3-29	7019174	4-15
7003928	4-15	7011590	2-31, 2-32, 7-13	7017196	3-23	7019191	4-19
7003933	4-19	7011593	2-31, 2-32	7017210	5-19	7019194	4-20
7003935	4-19	7011594	2-31, 2-32	7017213	5-19	7019195	4-15
7003940	4-19	7011621	2-31, 2-32, 7-13	7017214	5-19	7019196	4-20
7003941	4-19	7011716	1-5	7017253	5-19	7019197	4-15
7003946	4-19	7011757	1-5	7017254	5-19	7019609	1-17
7003952	4-15	7012518	2-7, 2-8, 2-11	7017255	5-19	7019859	5-13
7003953	4-15	7012545	1-17	7017256	5-19	7019860	5-13
7003954	4-15	7012548	1-17	7017402	2-3, 2-4, 2-7, 2-11	7019861	5-13
7003955	4-15	7012549	1-17	7017410	2-7	7019862	5-13
7003956	4-15	7012584	2-15	7017412	2-11	7019863	5-13
7003969	4-19	7012585	2-15	7017418	2-8	7019864	5-13
7003972	4-20	7012654	2-15	7017421	2-8	7020033	1-3
7003973	4-20	7012655	2-15	7017422	2-8	7020035	1-3
7003974	4-15, 4-19	7012694	2-8	7017423	2-7, 2-8	7020036	1-3
7003976	4-15	7012903	2-7	7017428	2-11	7020037	1-3
7003977	4-15	7012912	2-11	7017433	2-7, 2-11	7020038	1-3
7003980	4-20	7012914	2-8	7017450	2-11	7020039	1-3
7003982	4-20	7012918	2-8	7017452	2-3, 2-4, 2-7	7020040	1-3
7003983	4-20	7012941	2-11	7017455	2-11	7020041	1-3
7003986	4-19	7012947	2-8	7017460	2-3, 2-4, 2-8	7020042	1-3
7003989	4-20	7012949	2-8	7017461	2-3, 2-4, 2-8	7020054	1-3
7003992	4-15, 4-19	7012953	2-7, 2-11	7017463	2-11	7020055	1-3
7003993	4-15, 4-19	7012961	2-8	7017479	2-7	7020099	4-11, 4-12
7003994	4-19	7012967	2-7, 2-11	7017488	2-11	7020100	4-11, 4-12
7004035	2-19	7012972	2-11	7018506	2-31, 2-33, 9-1	7020140	1-3
7004043	2-19	7012995	2-7	7018535	2-32, 9-1	7020148	1-3
7004044	2-19	7012998	2-7, 2-8, 2-11	7018537	2-32	7020149	1-5, 1-17
7004275	10-2	7016319	2-24	7018564	2-32, 9-1	7020150	1-17
7004276	10-2	7016356	4-5, 4-8	7018570	2-31, 2-32, 9-1	7020151	1-17
7005358	5-13	7016372	2-24	7018571	2-31, 2-32, 9-1	7020174	2-27

SECTION 11 PART NUMBER INDEX

Part Number	Page	Part Number	Page	Part Number	Page	Part Number	Page
7020175	2-27, 4-11	7021611	2-7, 2-11	7026088	5-5		
7020176	2-27, 4-11	7021616	2-11, 9-1	7026090	5-5		
7020184	1-17	7021618	2-7, 2-11, 9-1	7026091	5-5		
7020185	1-17	7021619	2-11	7026092	5-5		
7020189	1-17	7021623	2-4	7027275	1-5		
7020603	2-31, 2-33	7021624	2-8	7027350	2-15		
7020640	2-32	7021653	2-3, 2-4	7027351	2-15		
7020642	2-31, 2-32, 9-1	7021659	2-11	7027352	2-15		
7020643	2-31, 2-32	7022000	1-19	7027353	2-15		
7020644	2-31, 2-32, 7-13	7022001	1-19	7027354	2-15		
7020645	2-31, 2-32, 7-13	7022002	1-19	7027356	2-15		
7020646	2-31, 2-32, 7-13	7022003	1-19, 7-11	7027358	2-15		
7020648	2-31, 2-32, 7-13	7022004	1-19, 1-21, 7-11	7027360	2-15		
7020649	2-31, 2-32	7022005	1-19, 1-21, 7-11	7027361	2-15		
7020650	2-31, 2-32	7022007	1-21	7027730	2-15		
7020651	2-31, 2-32, 2-33	7022008	1-21, 7-11	7027858	2-35		
7020652	2-31	7022009	1-21	7027900	3-23		
7020653	2-31, 2-32, 9-1	7022010	1-21	7027901	3-23		
7020654	2-31, 9-1	7022011	1-19, 9-1	83304150	2-19		
7020662	2-32	7022012	1-19, 1-21, 7-11				
7020683	2-32	7022391	2-11				
7020689	2-32	7022394	2-7				
7020690	2-31, 2-32	7022526	2-21				
7020691	2-31, 2-32	7022808	4-15				
7020692	2-32, 7-13	7022812	4-19, 4-20				
7020693	2-32, 7-13	7022813	4-15				
7020694	2-33	7022815	4-15				
7021318	2-21	7022906	2-31, 2-32				
7021319	2-21	7022910	2-31, 2-32, 7-13				
7021320	2-21, 9-1	7022924	2-31, 2-32				
7021323	1-9	7023484	2-15				
7021324	1-9	7023803	1-9				
7021325	1-9	7024047	1-10				
7021326	1-9	7024049	1-9				
7021327	1-9	7024051	1-9				
7021328	1-9	7024053	1-9				
7021329	1-10	7024054	1-10				
7021333	1-10	7024379	2-19				
7021335	1-9	7024380	2-19				
7021336	1-9	7024381	2-19				
7021337	1-9	7024389	2-19				
7021338	1-10	7024390	2-19				
7021339	1-9	7024453	2-19				
7021340	1-10	7024738	1-13				
7021341	1-9, 1-10	7024741	1-13				
7021342	1-9	7024832	2-11				
7021344	1-10	7024844	5-5, 5-9				
7021360	2-21	7024845	2-8				
7021361	2-21	7024931	1-10				
7021367	2-21	7024981	1-10				
7021368	2-21	7024983	1-10				
7021377	2-21	7024984	1-10				
7021603	2-7	7024985	1-10				
7021604	2-7	7024986	1-10				
7021606	2-7, 2-8	7026042	2-15				
7021607	2-8	7026043	2-15				
7021609	2-3, 2-4, 2-7, 2-11, 9-1	7026068	5-5				
7021610	2-7, 2-11, 9-1	7026082	5-9, 5-17				
		7026084	5-9, 5-17				

SECTION 11 PART NUMBER INDEX

Part Number	Page	Part Number	Page	Part Number	Page	Part Number	Page
-------------	------	-------------	------	-------------	------	-------------	------



3120773



An Oshkosh Corporation Company

Corporate Office
JLG Industries, Inc.
1 JLG Drive
McConnellsburg PA. 17233-9533
USA

☎ (717) 485-5161

📠 (717) 485-6417

JLG Worldwide Locations

JLG Industries (Australia)
P.O. Box 5119
11 Bolwarra Road
Port Macquarie
N.S.W. 2444
Australia

☎ +61 2 65 811111

📠 +61 2 65 813058

JLG Latino Americana Ltda.
Rua Eng. Carlos Stevenson,
80-Suite 71
13092-310 Campinas-SP
Brazil

☎ +55 19 3295 0407

📠 +55 19 3295 1025

JLG Industries (UK) Ltd
Bentley House
Bentley Avenue
Middleton
Greater Manchester
M24 2GP - England

☎ +44 (0)161 654 1000

📠 +44 (0)161 654 1001

JLG France SAS
Z.I. de Baulieu
47400 Fauillet
France

☎ +33 (0)5 53 88 31 70

📠 +33 (0)5 53 88 31 79

JLG Deutschland GmbH
Max-Planck-Str. 21
D - 27721 Ritterhude - Ihlpohl
Germany

☎ +49 (0)421 69 350 20

📠 +49 (0)421 69 350 45

JLG Equipment Services Ltd.
Rm 1107 Landmark North
39 Lung Sum Avenue
Sheung Shui N. T.
Hong Kong

☎ (852) 2639 5783

📠 (852) 2639 5797

JLG Industries (Italia) s.r.l.
Via Po. 22
20010 Pregnana Milanese - MI
Italy

☎ +39 029 359 5210

📠 +39 029 359 5845

Oshkosh-JLG Singapore
Technology Equipment Pte
Ltd
29 Tuas Ave 4,
Jurong Industrial Estate
Singapore, 639379

☎ +65-6591 9030

📠 +65-6591 9031

Plataformas Elevadoras
JLG Iberica, S.L.
Trapadella, 2
P.I. Castellbisbal Sur
08755 Castellbisbal, Barcelona
Spain

☎ +34 93 772 4700

📠 +34 93 771 1762

JLG Sverige AB
Enkopingsvagen 150
Box 704
SE - 176 27 Jarfalla
Sweden

☎ +46 (0)850 659 500

📠 +46 (0)850 659 534